

Features

- 36" (914 mm) minimum base cabinet width.
- Double-equal bowls.
- Smart Divide® feature offers a lower bowl divider that increases workspace versatility.
- Single faucet hole.
- 9" (229 mm) depth provides generous workspace.
- Tightly angled fabricated corners maximize bowl space.
- Two-piece colander set offers convenience while rinsing and draining (dishwasher-safe).
- Durable bamboo cutting board with silicone bumpers for added stability.
- Accessories stack and slide to enhance food prep.
- Dishwasher-safe silicone sink mats help protect the sink as well as fragile dishes.
- Sink strainers keep large items from passing into the drain.

Material

- Premium 18-gauge stainless steel.
- KOHLER stainless steel sinks resist corrosion and tarnishing.

Installation

- Top-mount or undermount.
- Accessories slide on sink ledges when sink is top-mounted.
- Cutting board slides across countertop when sink is undermounted.

Recommended Products/Accessories

- K-23726 Drain treatment
- K-23729 Stainless steel cleaner

Optional Products/Accessories

- K-9000 P-Trap

Included Components

Additional Components:

- 21613
- 21614
- 7400
- 80087 (Qty 2)

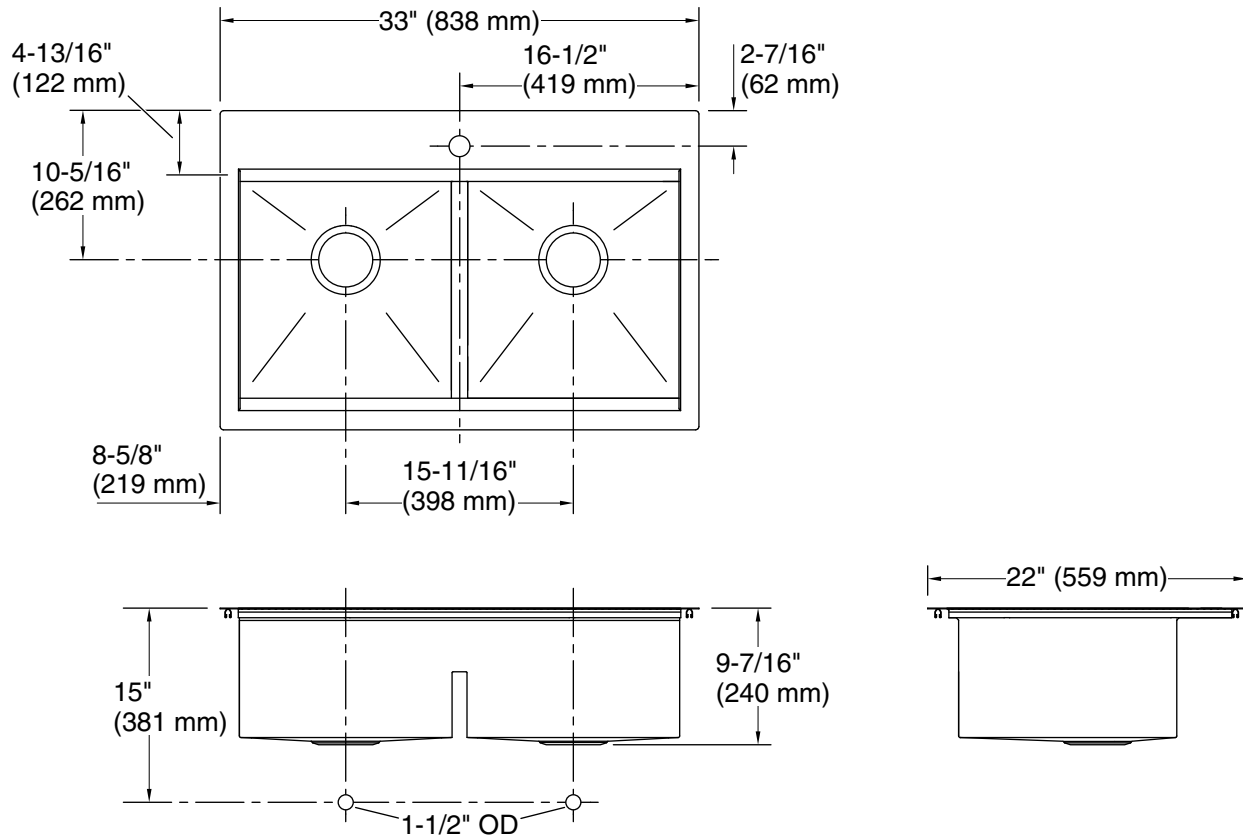


Codes/Standards

ASME A112.19.3/CSA B45.4

KOHLER® Stainless Steel Sinks Lifetime Limited Warranty

See website for detailed warranty information.



Technical Information

All product dimensions are nominal.

Bowl configuration: Double equal

Installation: Top-mount, Undermount

Min. base cabinet width: 36" (914 mm)

Bowl area (Left): Length: 14-9/16" (370 mm)
Width: 14-15/16" (379 mm)
Bowl depth: 9-3/16" (233 mm)

Bowl area (Right): Length: 14-9/16" (370 mm)
Width: 14-15/16" (379 mm)
Bowl depth: 9-3/16" (233 mm)

Number of deck holes: 1

Faucet hole(s): 1-7/16" (37 mm)

Drain hole: 3-5/8" (92 mm)

Template: Top-mount/Undermount, 1130821-7, required, included

Notes

Install this product according to the installation instructions.