



Vault™

32" undermount single-bowl kitchen sink
K-25939

Features

- 36" minimum base cabinet width
- Single bowl
- 5-1/2" (140 mm) depth
- Rear drain placement increases cabinet storage space underneath sink
- Includes installation hardware

Material

- Handcrafted from 18-gauge stainless steel
- Premium 18-gauge stainless steel

Installation

- Undermount

Recommended Products/Accessories

- K-8801 Sink drain and strainer with tailpiece
- K-8799 Sink drain and strainer basket
- K-23726 Drain treatment
- K-23729 Stainless steel cleaner

Optional Products/Accessories

- K-6429 Utility Rack
- K-6644 Sink rack for Vault™ and Strive® kitchen sinks
- K-11352 Disposal Flange with Stopper

Included Components

- 91915 Hardware Kit



ADA

Codes/Standards

ASME A112.19.3/CSA B45.4
ADA
ICC/ANSI A117.1

KOHLER® Stainless Steel Sinks Lifetime Limited Warranty

See website for detailed warranty information.

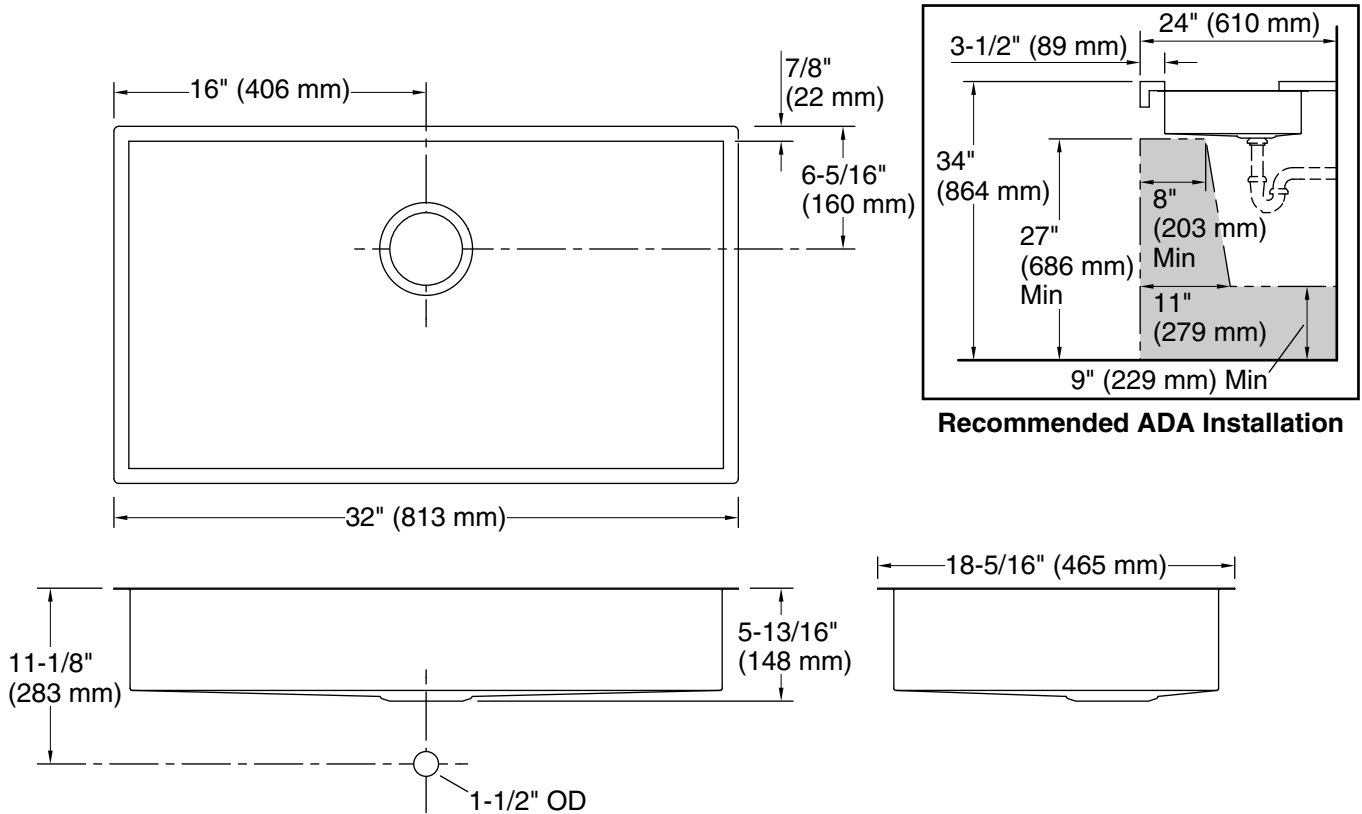
1-800-4KOHLER (1-800-456-4537)

Kohler Co. reserves the right to make revisions without notice to product specifications.

For the most current Specification Sheet, go to www.kohler.com.

8-9-2023 23:35 - US/CA

THE BOLD LOOK
OF **KOHLER®**



Technical Information

All product dimensions are nominal.

- Bowl configuration: Single
- Installation: Undermount
- Bowl area (Only): Length: 30-1/4" (768 mm)
Width: 16-9/16" (420 mm)
Bowl depth: 5-1/2" (140 mm)
Water depth: 5-1/2" (140 mm)
- Drain hole: 3-5/8" (92 mm)
- Template: 1207216-7, required, included

Notes

- Install this product according to the installation instructions.
- Allow 3/4" (19 mm) clearance beyond the back of the bowl for the wood cutting board (optional accessory).
- ADA compliant when installed to the specific requirements of these regulations.