

Features

- Single lever handle allows for simultaneous on/off activation and temperature setting.
- KOHLER ceramic disc valves exceed industry longevity standards for a lifetime of durable performance.
- 8.5 gpm maximum flow rate (32 l/min) @ 45 psi.
- 1.75 gpm (6.6 lpm) flow rate for handshower.
- 10-3/16" (259 mm) spout reach.
- 35-3/4" (908 mm) maximum spout height.
- Includes Shift® handshower and 60" shower hose.
- Coordinates with Tempered™ faucets, accessories, and showering components to complete your bathroom.

Material

- Premium metal construction for durability and reliability.
- KOHLER finishes resist corrosion and tarnishing.

Installation

- Floor-mount.
- Compatibility with bathtub varies by application.

Required Products/Accessories

K-97339 Multiproduct Mounting-block

Adapters, Rough-in and Extension Kits

97339 Range: 2-1/4" (57 mm) -
3-1/16" (78 mm)

Recommended Products/Accessories

K-23723 Faucet cleaner



Codes/Standards

ASME A112.18.1/CSA B125.1
DOE - Energy Policy Act 1992
EPA WaterSense®
California Energy Commission (CEC)

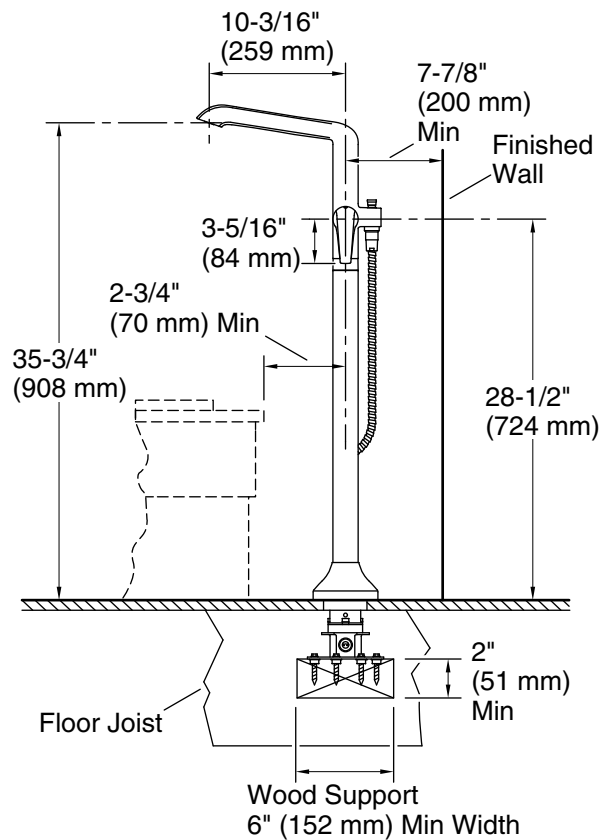
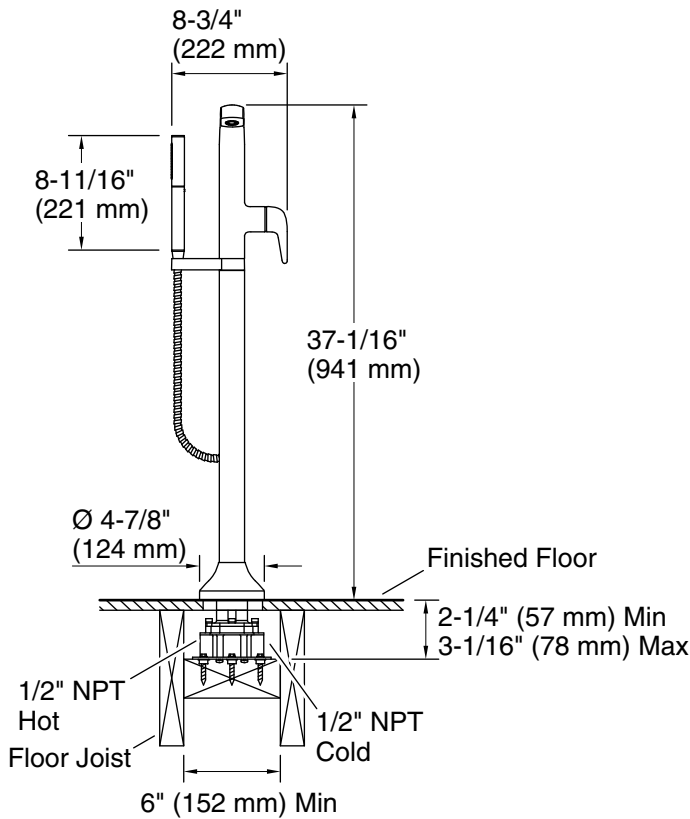
KOHLER® Faucet Lifetime Limited Warranty

See website for detailed warranty information.

Available Colors/Finishes

Color tiles intended for reference only.

Color	Code	Description
	CP	Polished Chrome
	SN	Vibrant® Polished Nickel
	BN	Vibrant® Brushed Nickel
	BL	Matte Black



Technical Information

All product dimensions are nominal.

Faucet:

Flow rate: 8.5 gal/min (32.2 l/min)

Pressure: 45 psi (3.1 bar)

Drain included: No

Spout:

Spout reach: 10-3/16" (259 mm)

Handshower:

Rated maximum flow: 1.75 gal/min (6.6 l/min)

Pressure: 45 psi (3.1 bar)

Notes

Install this product according to the installation instructions.

Adequate floor space is required. The wood support must be a minimum of 2" (51 mm) thick by 6" (152 mm) wide. 2x6 lumber is NOT adequate for this application.

Concrete can be used as the floor support.

Requires a 3/16" masonry drill bit and six 1/4" x 1-3/4" concrete screws, which are not included.