

### Features

- Brass construction.
- Brass valve bodies.
- Quarter-turn washerless ceramic disc valves.
- Vandal resistant aerator. Lower flow aerators available
- Wristblade handle with red and blue indexing
- For 8" (203 mm) centers.
- Gooseneck swing/rigid spout with 9 5/16 " (237 mm) reach
- Less drain.
- 1.5 gal/min (5.7 l/min) maximum flow rate [max at 60 psi (4.14 bar)]



ADA CSA B651

### Codes/Standards

ASME A112.18.1/CSA B125.1  
NSF/ANSI 61  
NSF/ANSI 372  
All applicable US Federal and State material regulations  
DOE - Energy Policy Act 1992  
California Energy Commission (CEC)  
ADA  
ICC/ANSI A117.1  
CSA B651

### KOHLER® One-Year Limited Warranty

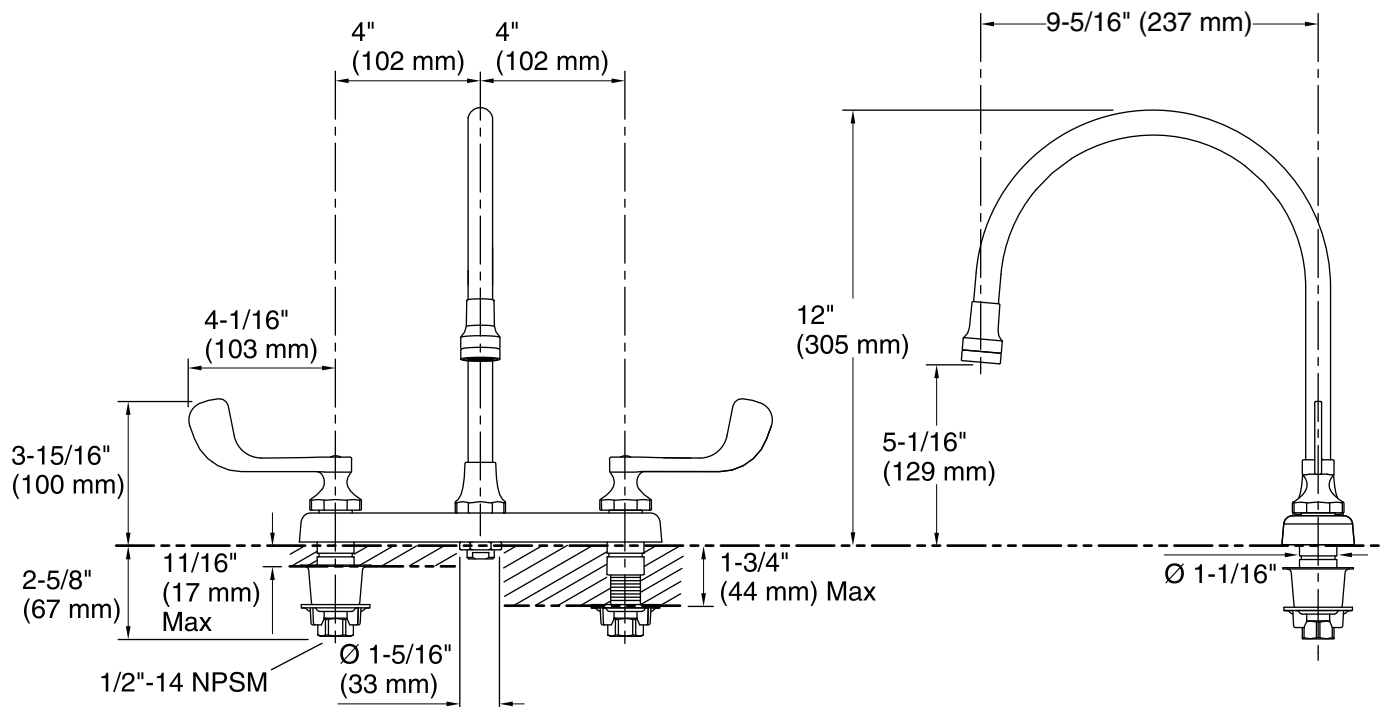
See website for detailed warranty information.

### Available Color/Finishes

*Color tiles intended for reference only.*

Color	Code	Description
-------	------	-------------

	CP	Polished Chrome
--	----	-----------------



### Technical Information

All product dimensions are nominal.

#### Faucet:

Flow rate: 1.5 gal/min (5.7 l/min)

Pressure: 60 psi (4.1 bar)

#### Spout:

Spout reach: 9-5/16" (236 mm)

Handle clearance: 4" (102 mm)

### Notes

Install this product according to the installation guide.

ADA, CSA B651 compliant when installed to the specific requirements of these regulations.