

### Features

- Two-piece toilet.
- Round-front bowl offers an ideal solution for smaller baths and powder rooms.
- Comfort Height feature offers chair-height seating that makes sitting down and standing up easier for most adults.
- 1.28 gallons per flush (gpf).
- Standard left-hand Polished Chrome trip lever included.
- Insuliner tank liner minimizes condensation on the tank when exposed to high humidity.
- Combination consists of the K-4467-U tank and the K-5393 bowl.

### Technology

- Single-flush gravity uses the force of gravity and a precision-engineered tank, bowl, and trapway to create a strong siphon during flushing.
- Class Five flushing technology offers virtually plug-free performance and rinsing power for a clean bowl.

### Installation

- Standard 12-inch rough-in.
- Three-bolt installation.
- Seat and supply line not included.

### Water Conservation & Rebates

- WaterSense® toilets meet strict EPA flushing guidelines, including using at least 20 percent less water than 1.6-gallon toilets.
- Eligible for consumer rebates in some municipalities.
- This product meets water savings requirements for California Energy Commission (CEC), CALGreen, and Colorado SB 14-103.

### Recommended Accessories

K-4639 Cachet® Quiet-Close™ Round-Front Toilet Seat  
K-5589 Purefresh® Round-Front Toilet Seat  
K-76923 Puretide™ Quiet-Close™ Round-Front Manual  
Cleansing Toilet Seat  
K-5420 Low-Profile Bolt Caps  
K-9379 Trip Lever

### Components

Product includes:

K-5393 Comfort Height® Round-Front Bowl  
K-4467-U Toilet Tank  
Additional included component/s: Tank cover, Trip Lever, and Bolt cap accessory pack.



ADA CSA B651 OBC

### Codes/Standards




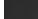
ASME A112.19.2/CSA B45.1  
DOE - Energy Policy Act 1992  
EPA WaterSense®  
California Energy Commission (CEC)  
ADA  
ICC/ANSI A117.1  
CSA B651  
OBC

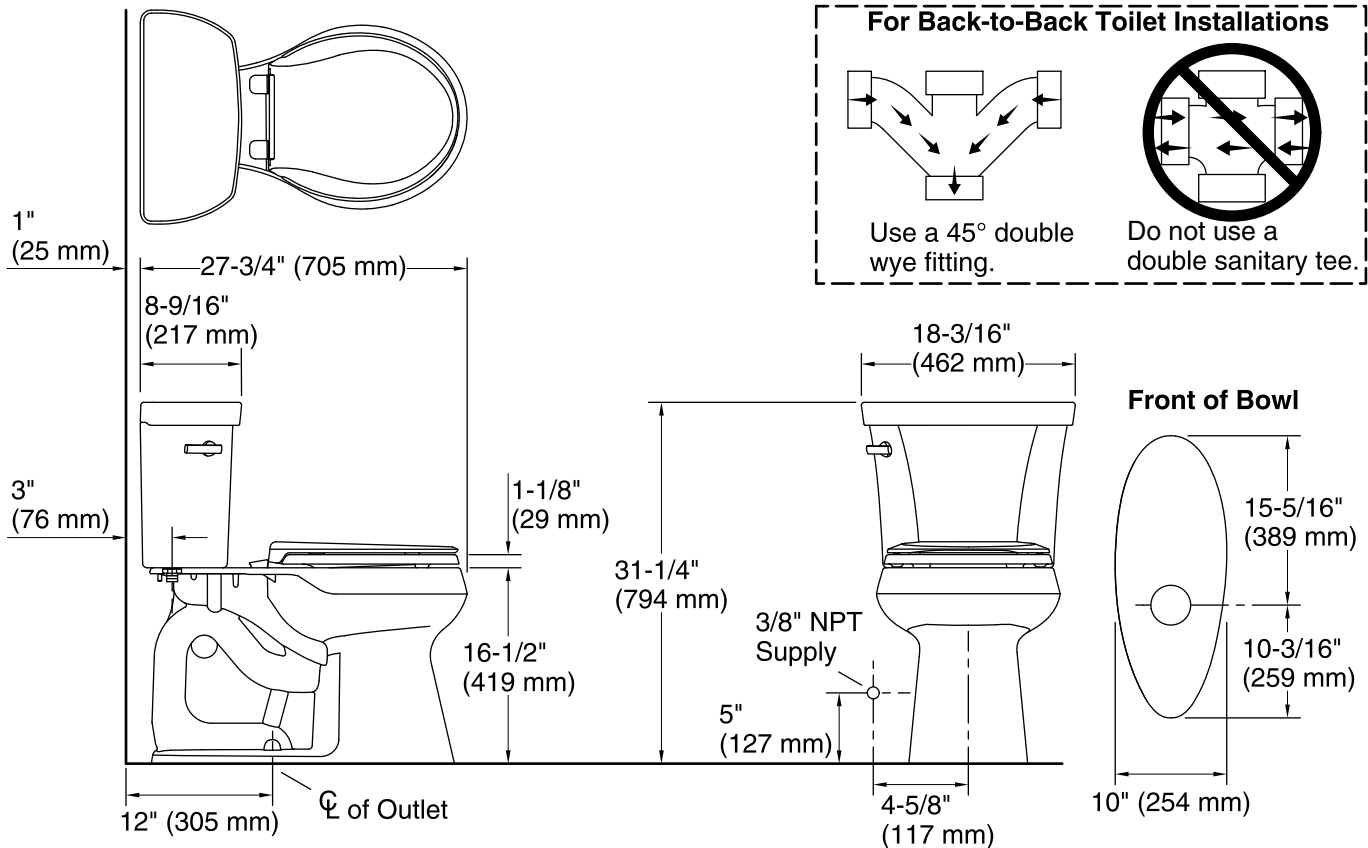
### KOHLER® One-Year Limited Warranty

See website for detailed warranty information.

### Available Color/Finishes

*Color tiles intended for reference only.*

Color	Code	Description
	0	White
	96	Biscuit
	47	Almond
	7	Black Black™



### Technical Information

All product dimensions are nominal.

Toilet type:	Two-piece, Floor-mount
Waste Outlet:	Floor
Flush type:	Class Five®
Trap passageway:	2-1/8" (54 mm)
Water Consumption	
Full:	1.28 gpf (4.8 lpf)
Water surface size:	10-1/2" x 8-1/4" (267 mm x 210 mm)
Rim to water surface:	5-3/8" (137 mm)
Rough-in:	12
Seat-mounting holes:	5-1/2" (140 mm)

### Notes

Install this product according to the installation instructions.

For back-to-back toilet installations: Use only a 45° double wye fitting.

ADA, OBC, CSA B651 compliant when installed to the specific requirements of these regulations.

Plumbing codes may require elongated toilets and elongated, open-front seats in public bathrooms.

Accessibility standards may require controls to be located on the open side of the toilet.