

Features

- Includes faceplate with handle, shower arm with flange and showerhead.
- Single handle controls both on/off activation and temperature settings.
- Lever handle.
- Includes single-function 1.75 gpm (6.6 lpm) showerhead.
- Complements Tempered faucets and accessories.



Material

- Premium material construction with metal handle ensures reliability and durability.
- KOHLER finishes resist corrosion and tarnishing.



Installation

- Trim only; requires valve to complete installation (sold separately).

Required Products/Accessories

- K-8304-K Valve Body & Cartridge Kit Complete
- or
- K-8304-KS Valve Body & Cartridge Kit Complete
- or
- K-8304-PS Valve Body & Cartridge Kit Complete
- or
- K-8304-PX Valve Body & Cartridge Kit Complete
- or
- K-8304-US Valve Body & Cartridge Kit Complete
- or
- K-8304-UX Valve Body & Cartridge Kit Complete
- or
- K-P8304-K Valve body and cartridge kit complete
- or
- K-P8304-KS Valve Body & Cartridge Kit Complete
- or
- K-P8304-SWX Valve Body & Cartridge Kit Complete
- or
- K-8300-K Valve Body Rough-In
K-8305 Pressure Balance Cartridge
- or
- K-8300-KS Valve Body Rough-In
K-8305 Pressure Balance Cartridge
- or
- K-8300-PX Valve Body Rough-In
K-8305 Pressure Balance Cartridge
- or
- K-8300-PS Valve Body Rough-In
K-8305 Pressure Balance Cartridge
- or
- K-P8300-K Valve Body Rough-In
K-P8305 Pressure Balance Cartridge



Codes/Standards

ASME A112.18.1/CSA B125.1
DOE - Energy Policy Act 1992
EPA WaterSense®
California Energy Commission (CEC)

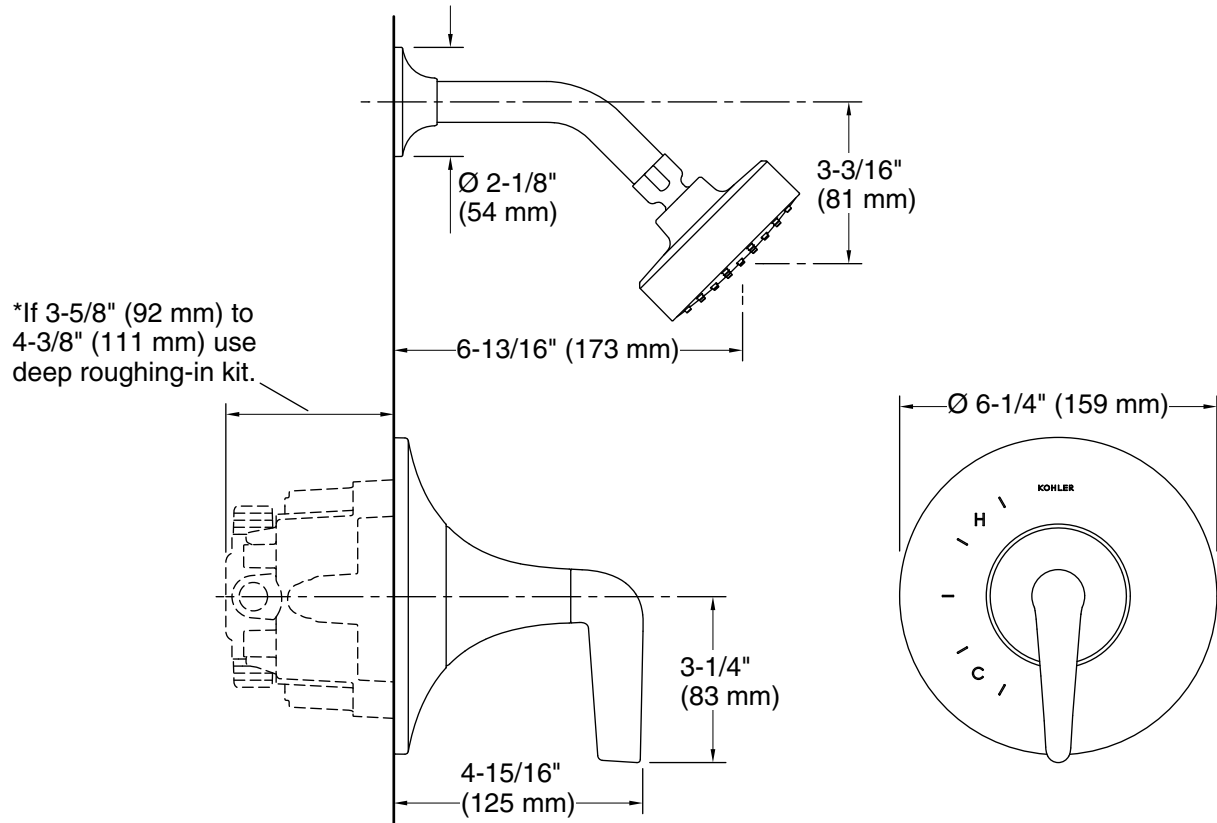
KOHLER® Faucet Lifetime Limited Warranty

See website for detailed warranty information.

Available Colors/Finishes

Color tiles intended for reference only.

Color	Code	Description
	CP	Polished Chrome
	SN	Vibrant® Polished Nickel
	BN	Vibrant® Brushed Nickel
	BL	Matte Black



Technical Information

All product dimensions are nominal.

Showerhead/Body Spray:

Rated maximum flow: 1.75 gal/min (6.6 l/min)
 Pressure: 80 psi (5.5 bar)

Notes

Install this product according to the installation instructions.