



Iron Plains® Trough Rectangle

Drop-In/Under-Mount Bathroom Sink

K-20212

Features

- Large rectangular basin.
- No faucet holes; requires wall- or counter-mount faucet.
- Overflow drain.

Material

- KOHLER® enameled cast iron.

Installation

- Drop-in or under-mount.

Components

Additional included component/s: Under-mount clamps pack #1193643.



ADA **CSA B651**

Codes/Standards

ASME A112.19.1/CSA B45.2
 ADA
 ICC/ANSI A117.1
 CSA B651

Lifetime Limited Warranty for KOHLER® Cast Iron Components

See website for detailed warranty information.

Available Color/Finishes

Color tiles intended for reference only.

| Color | Code | Description |
|-------|------|--------------|
| | 0 | White |
| | FF | Sea Salt™ |
| | 96 | Biscuit |
| | FD | Cane Sugar™ |
| | NY | Dune |
| | G9 | Sandbar |
| | K4 | Cashmere |
| | FT | Basalt |
| | KA | Black 'n Tan |
| | 7 | Black Black™ |

1-800-4KOHLER (1-800-456-4537)

Kohler Co. reserves the right to make revisions without notice to product specifications.

For the most current Specification Sheet, go to www.kohler.com.

12-4-2018 11:46 - US/CA

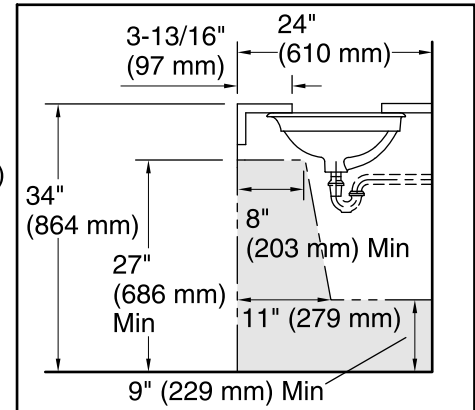
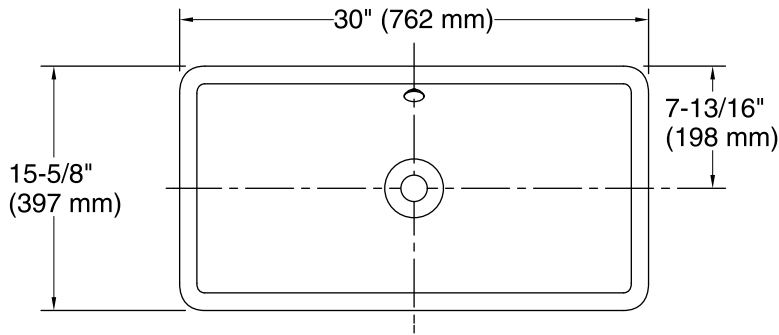




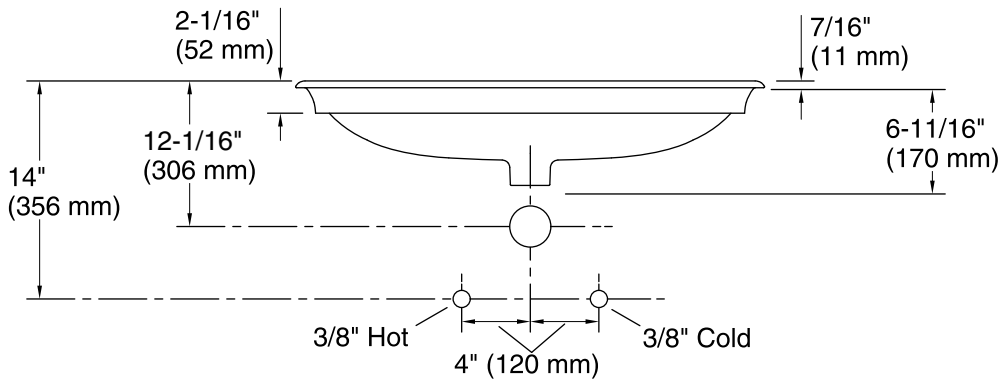
Iron Plains® Trough Rectangle

Drop-In/Under-Mount Bathroom Sink

K-20212



Recommended ADA Installation



Technical Information

All product dimensions are nominal.

| | |
|-------------------|-------------------------------|
| Installation: | Drop-In, Under-mount |
| Bowl area (Only): | Length: 28-13/16" (732 mm) |
| | Width: 14-7/16" (367 mm) |
| | Bowl depth: 4-3/4" (121 mm) |
| | Water depth: 3-5/16" (84 mm) |
| Drain hole: | 1-3/4" (44 mm) |
| Template: | 1319048-7, required, included |

Notes

Install this product according to the installation instructions.

Countertop manufacturer or cutter must use the cut-out template provided with the product, or a current one provided by Kohler Co. (call 1-800-43-FOCUS). Kohler Co. is not responsible for cut-out errors when the incorrect cut-out template is used.

ADA, CSA B651 compliant when installed to the specific requirements of these regulations.