



Features

- End drain.
- Two-piece design.
- Integral lumbar support and armrests for comfort.
- Slotted overflow for maximum bathing depth.
- Bask™ Heated Surface provides soothing warmth on your back and neck.
- Textured bottom surface.
- 67-3/4" (1568 mm) x 31-3/4" (806mm) x 22" (559 mm)

Material

- Acrylic

Hydrotherapy

- 118-122 BubbleMassage™ airjets.
- Variable-speed blower lets you adjust the airjet massage to 18 levels.
- Automatic purge cycles remove residual water from air channels after use.
- Pump with air switch for whirlpool.
- Lighted keypad controls.

Installation

- Freestanding

Required Accessories

K-7271 Brass Slotted Overflow Bath Drain

or

K-7272 PVC Slotted Overflow Bath Drain

Recommended Accessories

K-24916 Wireless Music Kit



Codes/Standards

ASME A112.19.7/CSA B45.10

CSA B45.5/IAPMO Z124

UL 1795

Greenguard UL 2818 - Gold

CARB P2






KOHLER® One-Year Limited Warranty

See website for detailed warranty information.

Available Color/Finishes

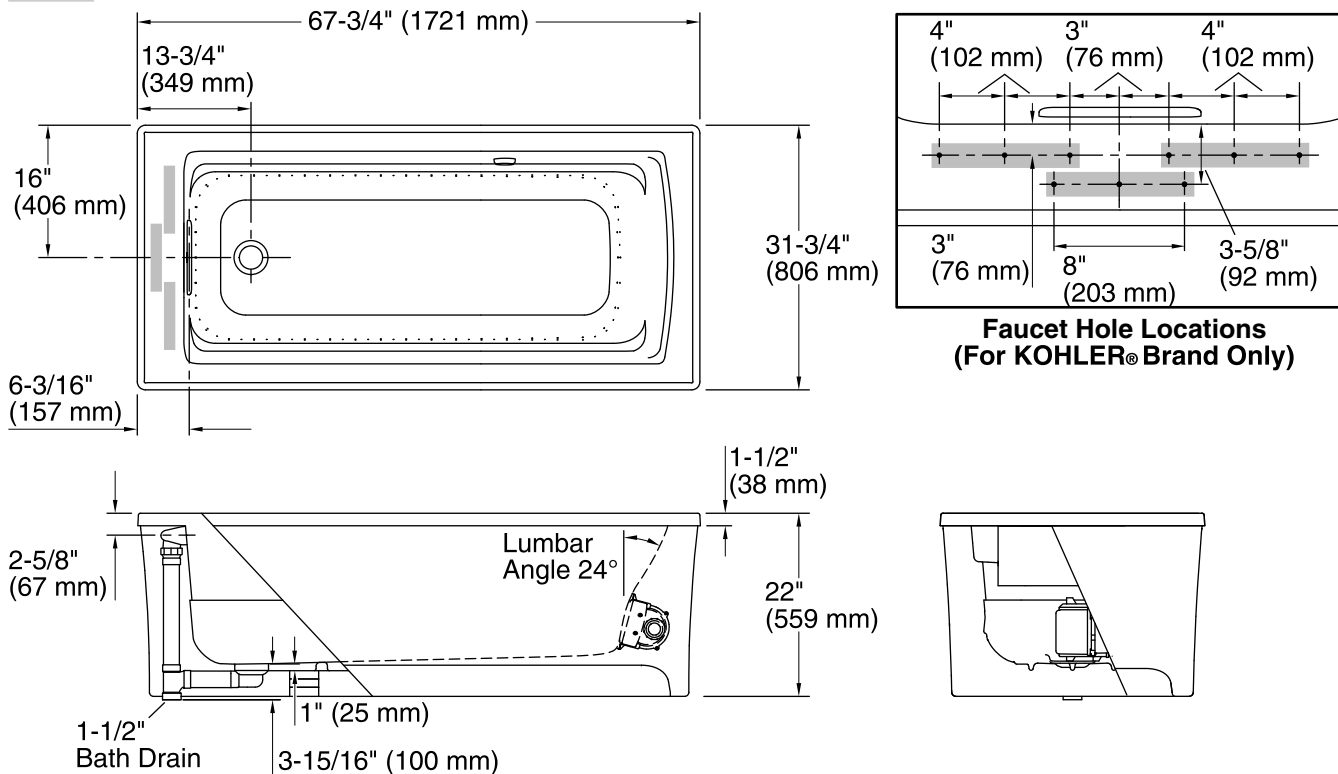
Color tiles intended for reference only.

Color	Code	Description
-------	------	-------------

	0	White
	96	Biscuit
	47	Almond
	NY	Dune
	G9	Sandbar

No change in measurements if connected with drain illustrated. (K-7272)

Recommended faucet area.



Required Electrical Service

One dedicated circuit required, protected with Class A Ground-Fault Circuit-Interrupter (GFCI) or Residual Current Device (RCD).

Blower, Heated 120 V, 15 A, 60 Hz
Surface:

Technical Information

All product dimensions are nominal.

Installation:	Freestanding
Drain location:	End
Basin area, bottom:	51-1/16" x 19-11/16" (1297 mm x 500 mm)
Basin area, top:	58-9/16" x 25-5/16" (1487 mm x 643 mm)
Weight:	192 lbs (87.1 kg)
Minimum floor load:	44.5 lbs/ft ² (217.3 kg/m ²)
Water depth:	15-1/16" (383 mm)
Water capacity:	65 gal (246.1 L)
Template:	Footprint, 1265460, not required, not included
Electrical component rating:	Blower: 120 V, 15 A, 60 Hz, 300 W Heated Surface: 120 V, 1.1 A, 60 Hz, 65 W

Notes

Measure your actual product for rough-in details.

Install this product according to the installation instructions.

The hot water supply should be 70% of the capacity of the bath or greater. Installations will vary.

Provide one grounded electrical outlet within 24" (610 mm) of each component.