



Choreograph™

40" Shower Barre
K-97627

Features

- Provides a stable point of contact in the shower.
- 300lbs of support with a beautiful aesthetic.

Installation

- Mounting brackets slide along length of bar to ease installation.

Components

Additional included component/s: Bracket, Screws, End caps, and Plugs.



Codes/Standards

ASTM F446

KOHLER® Limited Warranty – Choreograph™ Walls and Accessories

See website for detailed warranty information.

Available Color/Finishes

Color tiles intended for reference only.

Color	Code	Description
-------	------	-------------

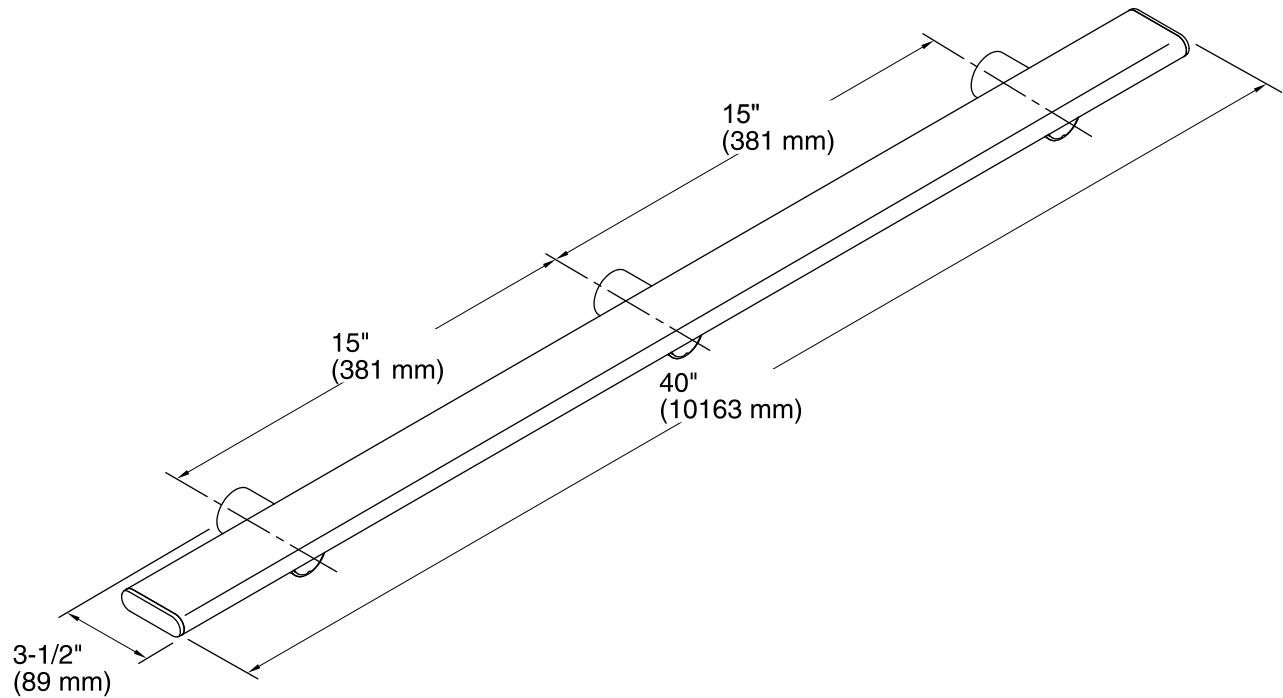


SHP	Bright Polished Silver
-----	------------------------

ABZ	Anodized Dark Bronze
-----	----------------------



BNK	Anodized Brushed Nickel
-----	-------------------------



Technical Information

All product dimensions are nominal.

Notes

Install this product according to the installation guide.

Requires 2x4 backing to be installed.