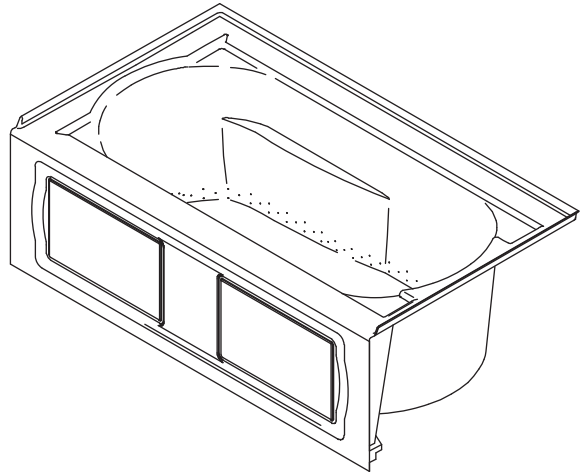


Features

- Acrylic
- Blower motor is supplied with a grounding-type plug-in cord
- Integral apron with removable access panel
- Integral tile flange
- Left or right drain
- 120 BubbleMassage™ airjets
- Molded lumbar supports and armrests
- Blower motor with 300 W heater and electronic user control
- 60" (1524 mm) x 32" (813 mm) x 20" (508 mm)

5' BUBBLEMASSAGE™ BATH K-1357-GLA ALSO K-1357-GRA



Codes/Standards Applicable

Specified model meets or exceeds the following:

- IAPMO IGC 171
- ASTM E162
- ASTM E662
- CSA B45.5/IAPMO Z124
- ASME A112.19.7

Colors/Finishes

- 0: White
- Other: Refer to Price Book for additional colors/finishes

Accessories

- CP: Polished Chrome
- PB: Vibrant® Polished Brass
- NA: None applicable
- Other: Refer to Price Book for additional colors/finishes

Specified Model

Model	Description	Colors/Finishes	
K-1357-GLA	5' Bubblemassage bath – left drain	<input type="checkbox"/> 0	<input type="checkbox"/> Other _____
K-1357-GRA	5' Bubblemassage bath – right drain	<input type="checkbox"/> 0	<input type="checkbox"/> Other _____

Recommended Accessories					
K-1446	Remote blower installation kit	NA			
K-7161-AF	Adjustable pop-up drain		<input type="checkbox"/> CP	<input type="checkbox"/> PB	<input type="checkbox"/> Other _____

Product Specification

The acrylic Bubblemassage bath shall be 60" (1524 mm) in length, 32" (813 mm) in width, and 20" (508 mm) in height. Product shall have an integral apron with removable access panel and integral tile flange. Product shall feature molded lumbar supports and armrests. Product shall be available with left or right drain. Product shall feature a blower motor with 300 W heater, and an electronic user control. Blower motor shall be supplied with a grounding-type plug-in cord. Product shall have 120 Bubblemassage airjets. Bubblemassage bath shall be Kohler Model K-1357-____-____.

DEVONSHIRE®

Technical Information

Fixture*:				
Bathing well:				
Basin area, bottom	42" (1067 mm) x 20" (508 mm)			
Basin area, top	51" (1295 mm) x 24" (610 mm)			
Weight	98 lbs (44.5 kg)			
To overflow:				
Water depth	14-1/2" (368 mm)			
Capacity	60 gal (227.1 L)			
* Approximate measurements for comparison only.				
Blower motor:	Heater	V	Hz	A
	300 W	120	60	5

Required Electrical Service

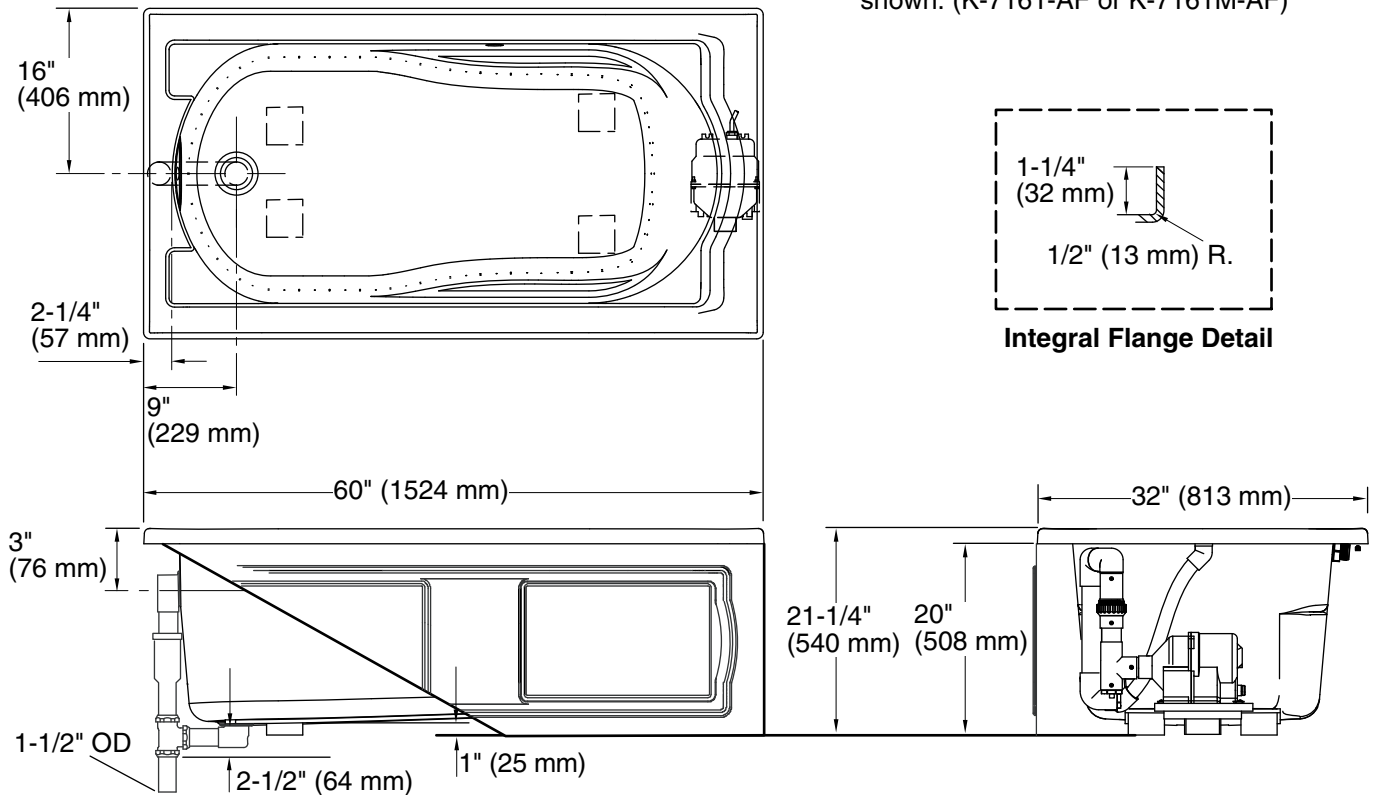
Dedicated circuit required, protected with Class A Ground-Fault Circuit-Interrupter (GFCI):	
Blower motor	120 V, 15 A, 60 Hz
Blower motor is supplied with a 24" (610 mm) grounding-type plug-in cord.	

Installation Notes

NOTICE: If the blower motor and check valve are relocated, the following two procedures are required: 1. Provide two access panels. Locate one access panel at the blower motor/control location and the other access panel at the control box. **2.** Relocate the blower motor and the check valve together. Do not relocate one without the other.

Install this product according to the installation guide.

Floor support under the bath must provide for a minimum of 47 lbs/square foot (229 kg/square meter) loading.



No change in measurements with drain shown. (K-7161-AF or K-7161M-AF)

Product Diagram