

Installation and Care Guide

Lighted Rain Panel for DTV+

K-98741-K1

Français, page "Français-1"
Español, página "Español-1"

THE BOLD LOOK
OF **KOHLER**®

1235394-2-A

IMPORTANT INSTRUCTIONS



WARNING: When using electrical products, basic precautions should always be followed, including the following:



DANGER: Risk of electrocution. Disconnect the electricity to the working area at the main breaker panel before performing the installation steps for hardwiring.



WARNING: Risk of electric shock. Connect only to circuits protected by a Ground-Fault Circuit-Interrupter (GFCI)*. **Grounding is required.** The unit should be installed and grounded by a qualified service representative.



WARNING: Risk of electric shock. A qualified electrician should route all electrical wiring.



WARNING: Risk of electric shock. Disconnect power before servicing.



WARNING: Risk of injury or property damage. Please read all instructions thoroughly before beginning installation.

NOTICE: Follow all plumbing, electrical, and building codes.

NOTICE: Provide unrestricted service access to the Power Data Supply (PDS).

*Outside North America, this device may be known as a Residual Current Device (RCD).

Operation with DTV+

- To connect the lighted rain panel to the DTV+ system, the K-99695 system controller is required.
- The provided data cable is used to connect the lighted rain panel PDS to the system controller.
- Refer to the "DTV+ System Layout" section in this guide.

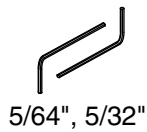
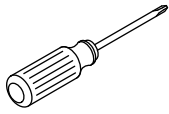
Before Operating the System For the First Time:

Download and install the latest software for connected components. This may take an hour or more to complete based on system configuration and internet connection speed. **Do not disconnect the power from any components during software download and installation.**

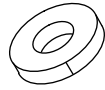
Specifications

Ambient Temperature	Max 104°F (40°C)
Maximum Relative Humidity	95% non-condensing
Power Data Supply (PDS)	100-240 VAC, 50-60 Hz, 1.7 A
Data Cable Length	25' (7.6 m)
Chroma Power Cable Length	30' (9.14 m)

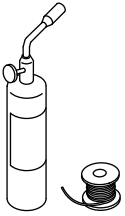
Tools and Materials



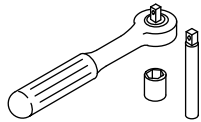
5/64", 5/32"



Masking
Tape



Soldering
Supplies



Socket Wrench &
11 mm or 7/16"
Socket and Extension



Sealant
Tape

Plus:

Note: All nipples & fittings 1/2" NPT

- (4) 2-1/2" nipples
- Female fittings
- 1/2" copper tubing
- 2x4s and 2x6s
- Conventional woodworking tools and materials
- #8 x 1-1/2" drywall screws
- Standard wood or drywall screws
- Electrical Wire
- Wire Cutters/Strippers

Before You Begin

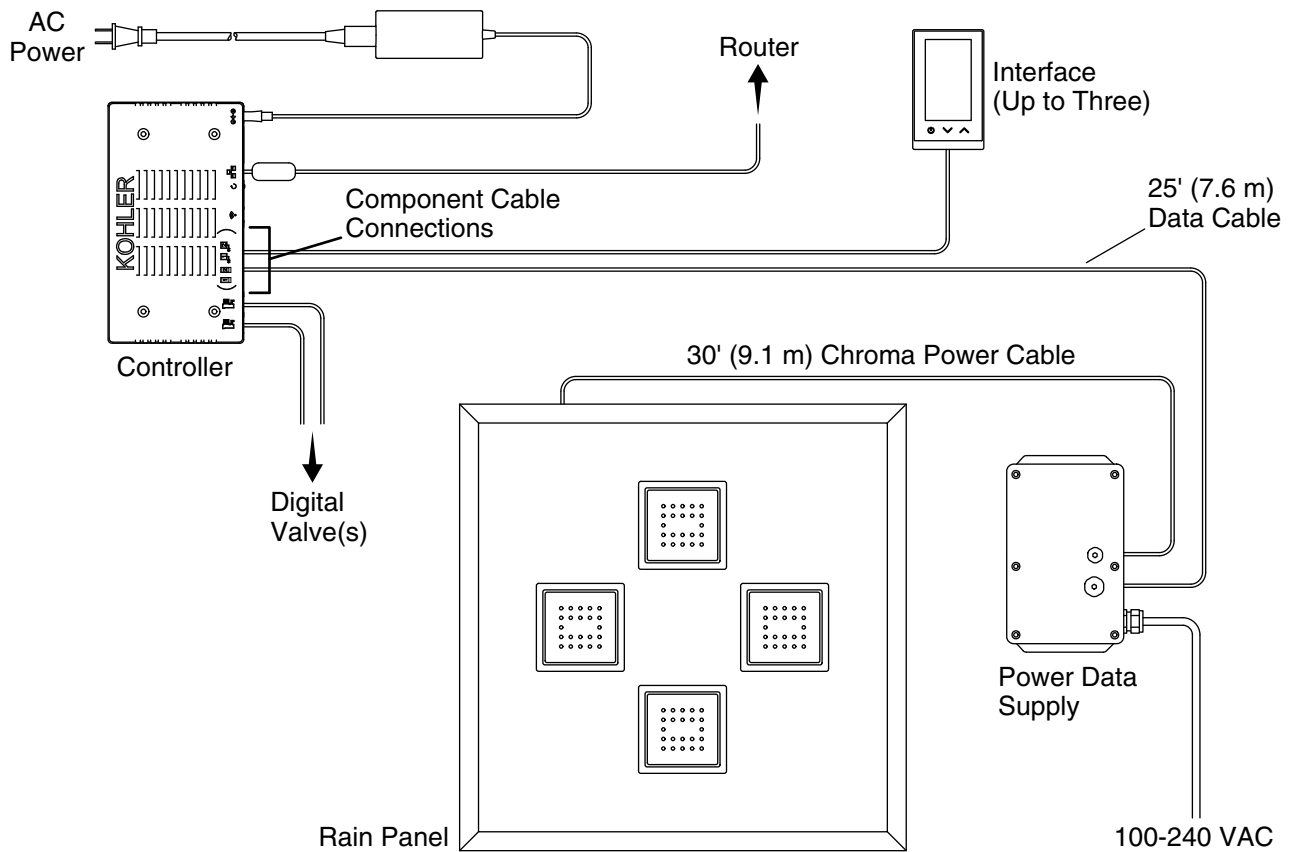
NOTICE: Choose an automatic compensating valve with the appropriate minimum flow rating to ensure your valve will provide safety at the lowest flow rates.

- For a showerhead rated at 2.5 gal/min (9.5 l/min) maximum, use with an automatic compensating valve rated at 2.0 gal/min (7.6 l/min) or less.



CAUTION: Risk of personal injury. If the rain panel is not securely held in place during installation, the product may fall. Get help installing the light panel assembly and waterways.

- Read these instructions and determine the locations of all required components before beginning installation.
- This product is designed for ceiling-mount installation only. Do not install to a shower wall.
- This manual covers vertical installation of the Power Data Supply (PDS) in a service closet or 2x6 stud pocket. If the wall is enclosed, an access panel must be provided for servicing.
- The PDS may be mounted under floor joists. If mounting under the floor, the unit must not be enclosed.
- The PDS must be located within 30' (9.14 m) of the rain panel.
- If possible, locate the PDS within 25' (7.62 m) of the system controller.
- Inspect the supply piping for damage. Replace as necessary.
- The PDS is intended for hardwire installation. Make sure electrical power can be provided to a service closet or 2x6 stud framing with access panel, not more than 2' (0.61 m) from the intended PDS location.
- To reduce the risk of electric shock, locate the PDS and overhead rain panel within proximity to each other to allow each cable to have a drip loop.



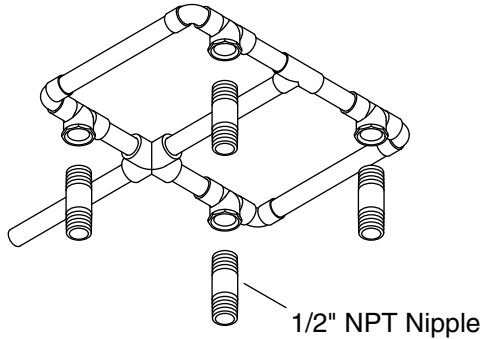
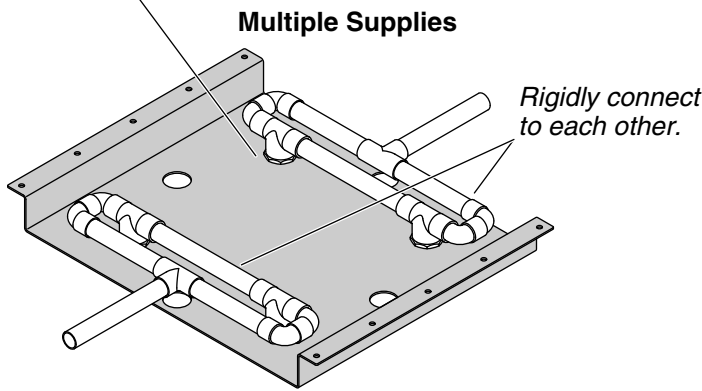
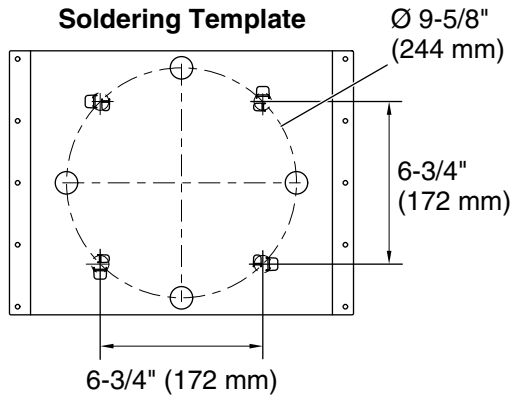
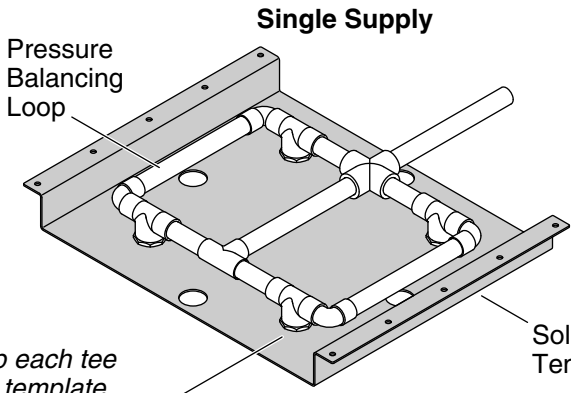
1. DTV+ System Layout

The K-99695 system controller powers the interface(s) and controls the lighted rain panel and other system components.

- Determine the locations of all required components.
- Route the 25' (7.6 m) data cable from the PDS installation location to the controller installation location. If the PDS is not within 25' (7.6 m) of the controller, add an Ethernet-style extension cable.
- Route the 30' (9.14 m) chroma power cable from the PDS installation location to the rain panel installation location.
- For cable connections, refer to the "Connect the Cables" section.

Before Operating the System For the First Time:

Download and install the latest software for connected components. This may take an hour or more to complete based on system configuration and internet connection speed. **Do not disconnect the power from any components during software download and installation.**

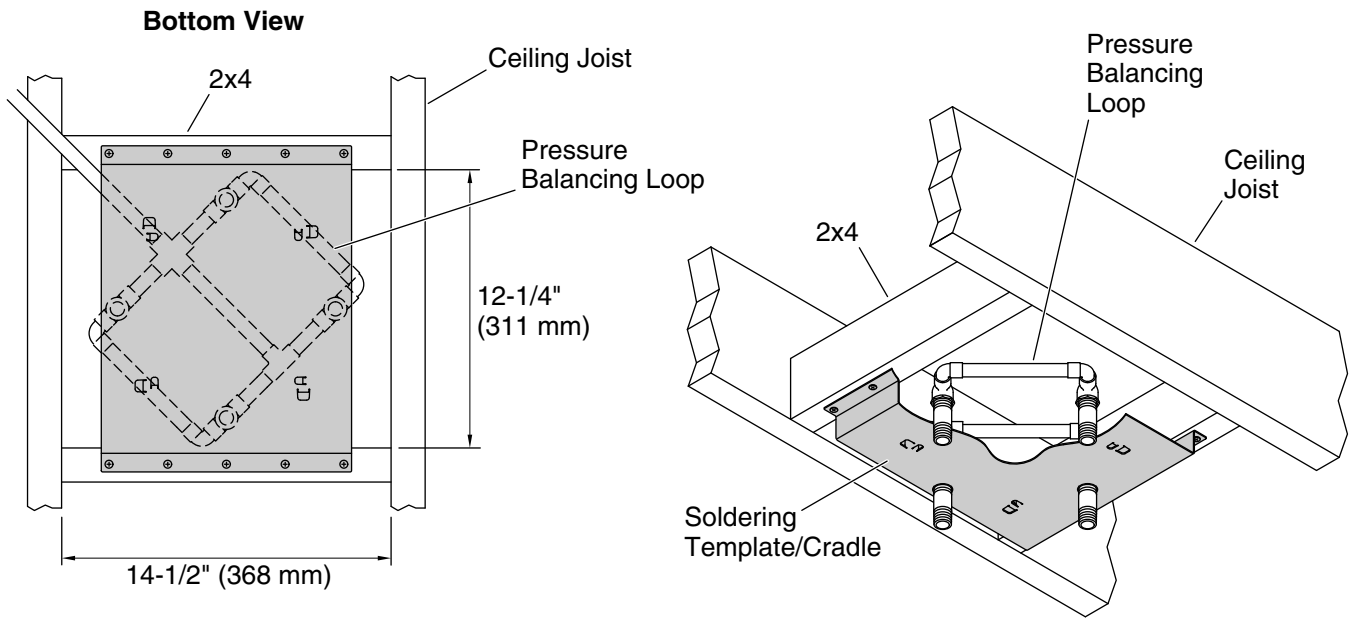


2. Install the Supply Piping

- Route the water supply lines.
- Use the provided soldering template to construct a pressure balancing loop.
- Position tees in the loop(s) over each of the four raised locations on the template.
- Solder the assembly while it is attached to the template.

IMPORTANT! For multiple supply lines: To maintain proper alignment of the tees with the product, the pressure balancing loops must be rigidly connected to each other while on the soldering template.

- **Multiple supply lines:** While on the soldering template, rigidly connect the two pressure balancing loops to each other.
- Remove the pressure balancing loop from the template.
- Connect the pressure balancing loop to the water supply.
- Do not strap the pipes.
- Temporarily install a nipple to each tee. Do not use any sealant.



3. Install the Support Framing

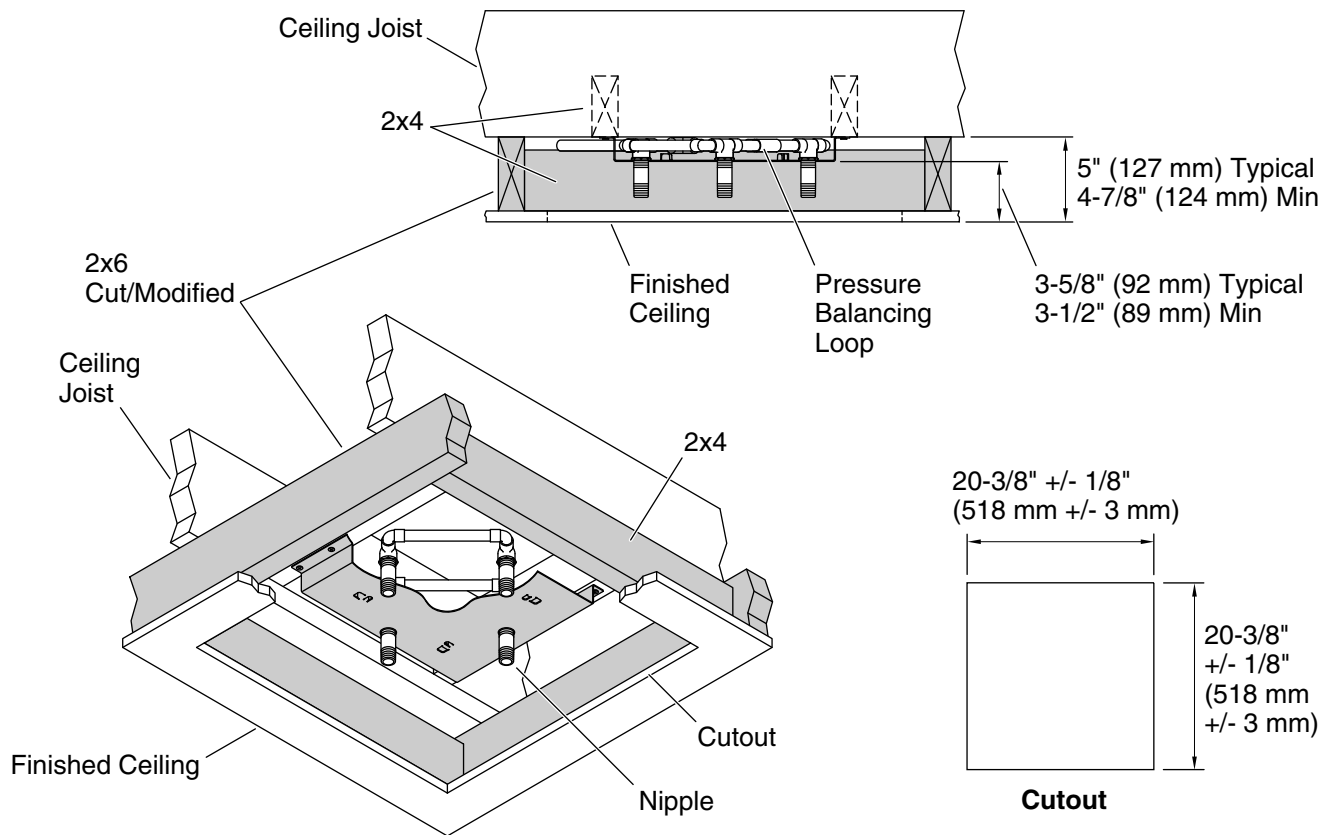


WARNING: Risk of injury or property damage. Template/cradle must be properly secured to support the weight of the rain panel. Secure the cradle to the framing using a minimum of six #8 x 1-1/2" long drywall screws.

- If installing the rain panel to a finished ceiling, remove drywall from the installation location.

IMPORTANT! The soldering template must be secured to structural framing.

- Attach a mounting surface to structural framing of the ceiling using #8 x 1-1/2" long drywall screws.
- Construct the support framing using 2x4 studs as shown in the illustration above. The face of each 2x4 should be installed flush with the face of the ceiling joists.
- Position the soldering template/cradle under the pressure balancing loop(s), as illustrated. Attach the cradle to the support framing.
- Do not strap the pipes.



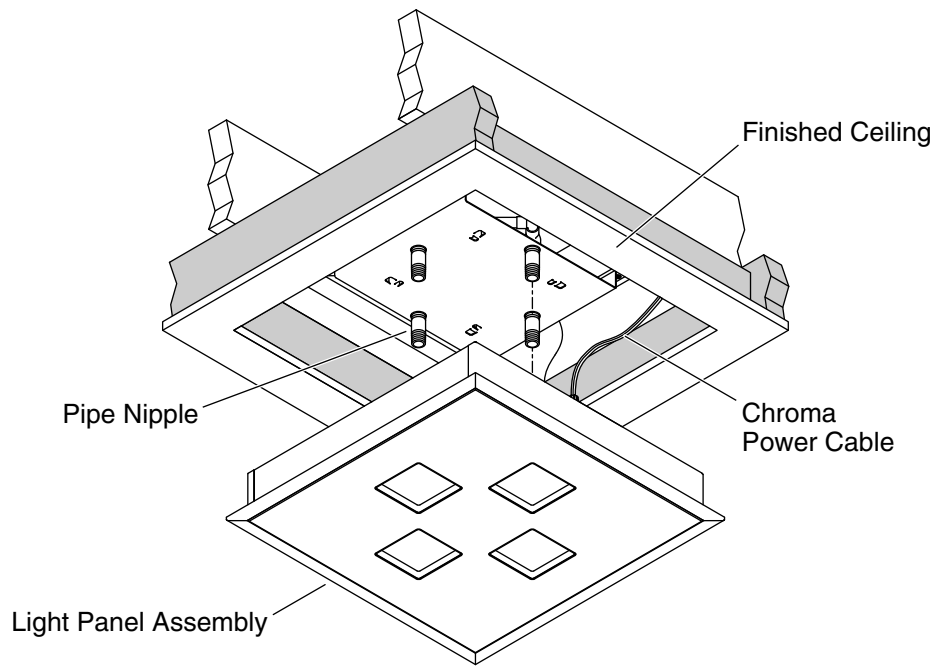
4. Install the Finished Ceiling

- Build a 5" (127 mm) typical drop sill (including finished ceiling material) around the mounting cradle using cut/modified 2x6 lumber.
- Install the water-resistant wall board.

IMPORTANT! The ceiling cutout must be within the dimension limits specified above. The seal will not cover gaps greater than 1/4" (6 mm).

IMPORTANT! The balancing loop(s) must be centered within 1/8" (3 mm) with the pipe nipples evenly spaced from the edges of the rough opening.

- Cut out a 20-3/8" (518 mm) square at the installation location. The square must be within 1/8" (3 mm) of the specified cut-out dimension to ensure the rough cut edges will be covered by the light panel frame after installation.
- Install the finished ceiling material (if using tile).
- Verify that the finished drop sill is between 3-1/2" (89 mm) and 3-3/4" (95 mm) from the bottom of the cradle.



5. Install Pipe Nipples and Light Panel

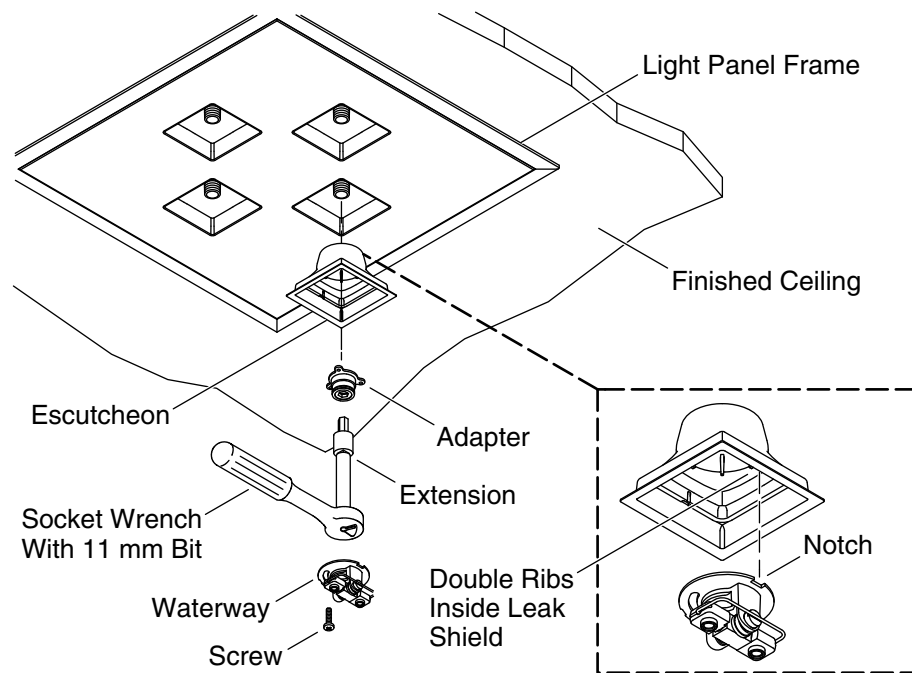


CAUTION: Risk of personal injury. If the rain panel is not securely held in place during installation, the product may fall. Get help installing the light panel assembly and waterways.

- Remove the nipples.
- Apply thread sealant to the threads of the nipples.
- Reinstall the nipples to the tees/elbows.
- Run water through the system to flush out any dirt or debris.

IMPORTANT! The following steps require two people.

- Lift the light panel up to the installation location and attach the pre-routed chroma power cable to the light panel assembly.
- Insert the light panel into the rough opening of the finished ceiling and hold in place. The light panel must be supported until it is secured by installing the adapters.



6. Install the Waterway



CAUTION: Risk of personal injury. If the rain panel is not securely held in place during installation, the product may fall. Get help installing the light panel assembly and waterways.

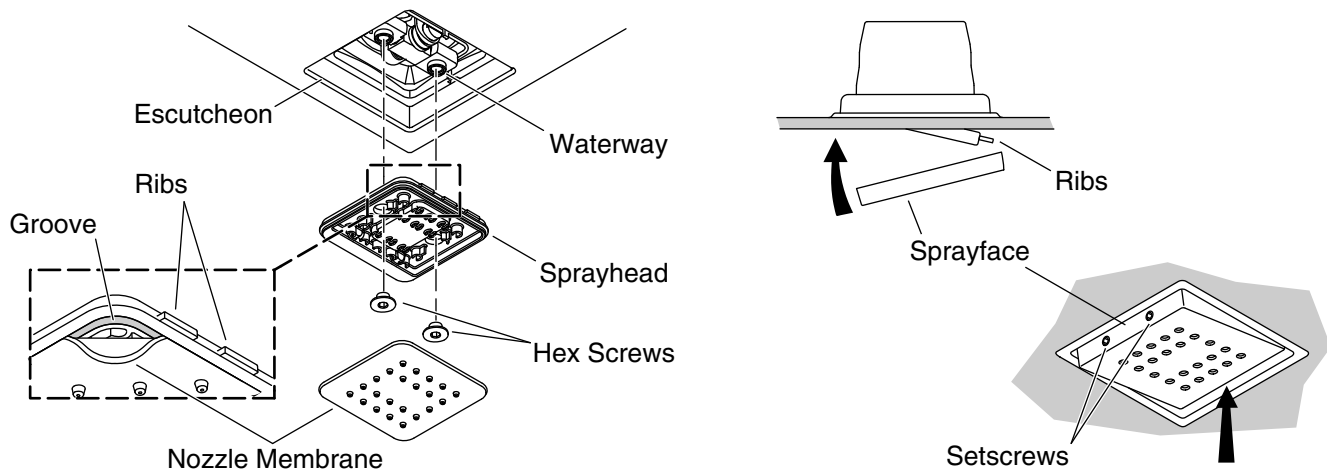
IMPORTANT! The following steps require two people.

- Insert an escutcheon into one of the four openings in the light panel. Orient the double ribs of the escutcheon toward the center of the panel.
- While another person holds the light panel in the rough opening, thread an adapter into the pipe nipple.
- While the other person continues to hold the panel, install the three remaining escutcheons and adapters to hang the fixture.
- Release the panel after the four adapters are installed. The panel will not be tight to the ceiling at this time.

IMPORTANT! Secure the adapters sufficiently to create a water-tight seal for the pipe threads.

- Secure each adapter using the 11 mm bit (provided) with the 11 mm or 7/16" socket extension, and socket wrench. Use masking tape to hold the bit in place to prevent it from falling off and causing damage to your shower. The light panel should still sit loosely against the ceiling.
- Install the waterway by aligning the notch in the waterway with the double ribs on the inside of the leak shield.
- Press the waterway into place over the adapter. Secure the waterway to the adapter with the screw provided. Do not completely tighten at this time.
- Repeat for the remaining waterways.
- Tighten the screws evenly until the outer frame of the panel is against the ceiling, and the sealing gasket is compressed.

IMPORTANT! If the light panel frame does not meet the ceiling within 1/32" (1 mm), the pipe nipple is too long. Check the rough depth. Try turning the threaded adapter further, or use a shorter pipe nipple.



7. Install the Trim

Attach the Sprayhead

- Using a 5/32" hex wrench, secure the sprayhead to the waterway with the two hex screws. Do not overtighten.
- Check that the sprayhead sits squarely within the escutcheon and tilts freely up and down.
- Place the nozzle membrane over the sprayhead, aligning the long edge of the membrane with the ribs.

NOTE: For optimum performance, make sure the nozzle membrane is applied evenly.

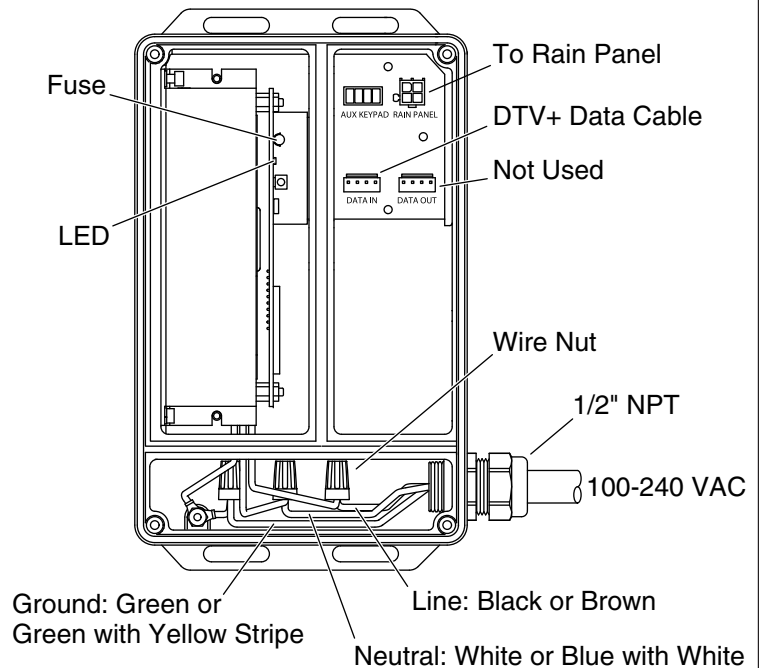
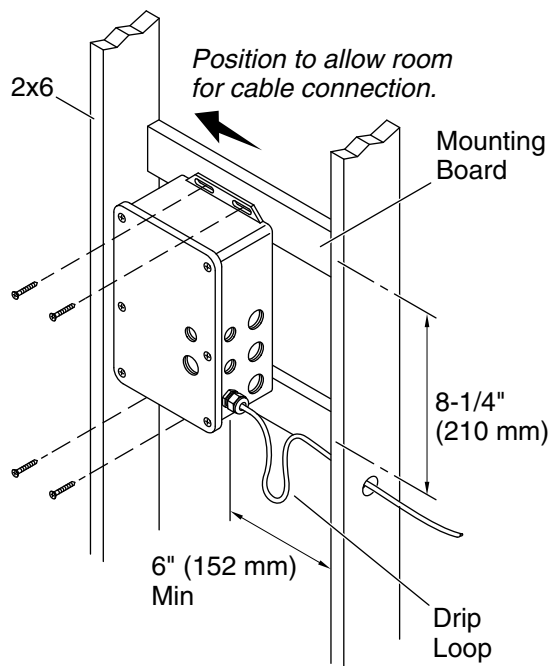
- Applying pressure evenly, press the membrane seal into the sprayhead groove.
- Repeat for the remaining sprayheads.

Attach the Sprayface

- Tilt the sprayhead to expose the ribs.
- Position the grooves of the sprayface over the hinge ribs, then rotate the loose end of the sprayface up as illustrated.
- Press the sprayface into place to cover the sprayhead.
- Tilt the sprayhead assembly to expose the setscrew holes.

IMPORTANT! To avoid product damage, the setscrews must not protrude beyond the sprayface.

- Using a 5/64" hex wrench, turn the setscrews counterclockwise until they are flush with the edge of the sprayface.
- Repeat for the remaining sprayfaces.



8. Install the Power Data Supply

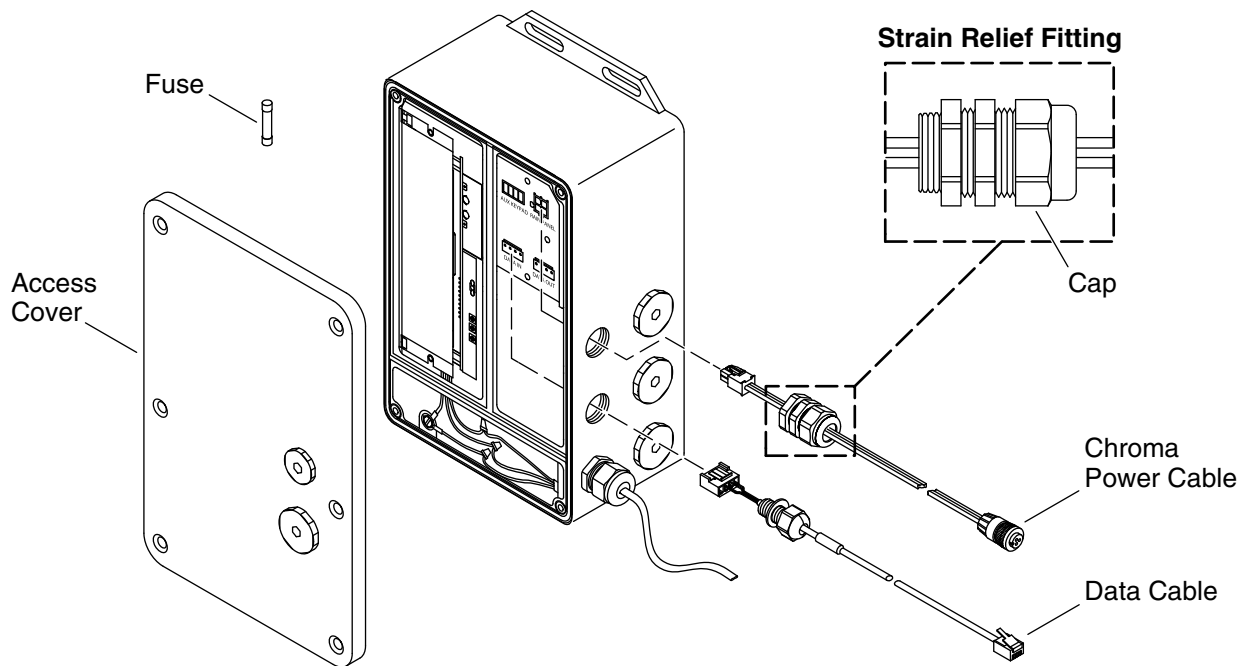


DANGER: Risk of electrocution. Disconnect the electricity to the working area at the main breaker panel before performing the installation steps for hardwiring.

- The PDS is designed to fit within a service closet or 2x6 stud cavity with access panel. The PDS must be within 25' (7.62 m) of the lighted rain panel.
- Install adequate bracing for mounting the PDS.
- Route electrical wire to the service closet or 2x6 stud framing, within 24" (610 mm) of the PDS. Make sure the wire is in a position to reach the PDS where electrical connections can be made, and allow enough wire to create a drip loop.
- Position the PDS box within the closet or stud cavity to allow room for cover removal and connecting the cables. If possible, connect the cables through the side holes rather than the cover holes to ease cover removal for servicing.
- Attach the PDS to structural framing or another secure surface using standard wood or drywall screws (not supplied). Mounting boards may need to be installed between stud framing.

Make Hardwire Connections

- Remove the PDS cover.
- Feed electrical wire through the 1/2" NPT hole into the power connection chamber of the PDS.
- Using wire nuts, connect the Line (black or brown), Neutral (white or blue with white), and Ground (green or green with yellow stripe) wires.
- Following the electrical codes for internal wire bending, carefully tuck the wires into the PDS housing. Ensure the wires will not be pinched when reinstalling the PDS cover.



9. Connect the Cables

IMPORTANT! When possible, connect the cables through the side holes of the PDS rather than the cover holes to ease cover removal for servicing.

NOTE: Make drip loops in all cables and cords.

- Prepare cable ends for installation into the PDS by unthreading the strain relief cap and separating the rubber stopper from the threaded body. This will prevent the cables from twisting while the strain relief is threaded into the box.
- Insert the chroma power cable into a 1/2" NPT hole and install into the "RAIN PANEL" connector until it snaps together.
- Insert the data cable into a 1/2" NPT hole and install into the "DATA IN" connector until it snaps together.
- Secure the cables and the electrical wire to the PDS using the watertight strain relief fittings. Thread the fitting into the box, then slide the rubber stopper into the fitting. Tighten the cap to create a seal.

IMPORTANT! Verify all unused holes of the PDS box have plugs installed.

- Verify all wires are tucked into the PDS housing and will not be pinched when securing the access cover.
- Reinstall the access cover. Do not overtighten.

Complete the Installation

- If not already installed, install the K-99695 system controller according to the instructions packed with the product.
- Connect the data cable into one of the eight grouped component ports on the controller. Refer to the "DTV+ System Layout" section.
- For information on system setup and operation, refer to the guide on the controller product page at www.us.kohler.com.

Before Operating the System For the First Time:

Download and install the latest software for connected components. This may take an hour or more to

Connect the Cables (cont.)

complete based on system configuration and internet connection speed. **Do not disconnect the power from any components during software download and installation.**

Care and Cleaning

For best results, keep the following in mind when caring for your KOHLER product:

- Use a mild detergent such as liquid dishwashing soap and warm water for cleaning. Do not use abrasive cleaners that may scratch or dull the surface.
- Carefully read the cleaner product label to ensure the cleaner is safe for use on the material.
- Always test your cleaning solution on an inconspicuous area before applying to the entire surface.
- Do not allow cleaners to sit or soak on the surface.
- Wipe surfaces clean and rinse completely with water immediately after cleaner application. Rinse and dry any overspray that lands on nearby surfaces.
- Use a soft, dampened sponge or cloth. Never use an abrasive material such as a brush or scouring pad to clean surfaces.

For detailed cleaning information and products to consider, visit www.kohler.com/clean. To order Care & Cleaning information, call 1-800-456-4537.

Troubleshooting

IMPORTANT! Turn off the power supply before performing any maintenance.

NOTE: For DTV+ system troubleshooting, refer to the guide on the K-99695 controller product page at www.us.kohler.com.

NOTE: For service parts information, visit your product page at www.kohler.com/serviceparts.

This troubleshooting guide is for general aid only. For service and installation issues or concerns, call 1-800-4-KOHLER.

Troubleshooting Table

Symptoms	Probable Cause	Recommended Action
1. Rain panel does not appear on the user interface.	A. No power to PDS. B. Data cable connection to controller is loose or damaged. C. PDS fuse is blown. D. Controller is not assigning an address to the PDS. E. PDS failure.	A. Turn off the power to the PDS and remove the access cover. If the LED light is not lit, the circuit breaker may have been tripped. Reset the circuit breaker. If the LED light is still not lit, check hardwire connections. B. Check the cable connection, replace cable if necessary. C. Replace the PDS fuse. D. Contact a Kohler Co. Authorized Service Representative. E. Contact a Kohler Co. Authorized Service Representative.
2. Rain panel appears on the user interface but cannot be selected.	A. Chroma power cable is loose or damaged. B. PDS or lighted rain panel failure.	A. Check the cable connection, replace cable if necessary. B. Contact a Kohler Co. Authorized Service Representative.
3. Cannot remove cables from PDS box.	A. Cables are twisting when unthreading strain relief connections.	A. Unthread strain relief cap only then separate the rubber stopper from the strain relief body. The strain relief body will be free to unthread from PDS box.

Troubleshooting (cont.)

Troubleshooting Table

Symptoms	Probable Cause	Recommended Action
4. Water is leaking from around the sprayheads.	A. Nozzle membrane is not seated properly.	A. Remove finished sprayface and verify the nozzle membrane is completely seated in the groove in the sprayhead. Refer to the "Install the Trim" section.

Warranty

KOHLER® Electronic Faucets, Valves and Controls FIVE-YEAR LIMITED WARRANTY

Kohler Co. warrants that its electronic faucets, valves and controls will be free of defects in material and workmanship during normal residential use for five years from the date the product is installed. This warranty applies only to electronic faucets, valves and controls installed in the United States of America, Canada and Mexico ("North America").

If a defect is found in normal residential use, Kohler Co. will, at its election, repair, provide a replacement part or product, or make appropriate adjustment where Kohler Co.'s inspection discloses any such defect. Damage caused by accident, misuse, or abuse is not covered by this warranty. Improper care and cleaning will void the warranty*. Proof of purchase (original sales receipt) must be provided to Kohler Co. with all warranty claims. Kohler Co. is not responsible for labor charges, installation, or other incidental or consequential costs other than those noted above. In no event shall the liability of Kohler Co. exceed the purchase price of the faucet, valve or control.

If the electronic faucets, valves or controls are used commercially or are installed outside of North America, Kohler Co. warrants that the faucet, valve or control will be free from defects in material and workmanship for one (1) year from the date the product is installed, with all other terms of this warranty applying except duration.

If you believe that you have a warranty claim, contact your Home Center, Dealer, Plumbing Contractor or E-tailer. Please be sure to provide all pertinent information regarding your claim, including a complete description of the problem, the product, model number, the date the product was purchased, from whom the product was purchased and the installation date. Also include your original invoice. For other information, or to obtain the name and address of the service and repair facility nearest you, write Kohler Co., Attn: Customer Care Center, Kohler, Wisconsin 53044 USA, or by calling 1-800-4-KOHLER (1-800-456-4537) from within the USA and Canada, and 001-800-456-4537 from within Mexico, or visit www.kohler.com within the USA, www.ca.kohler.com from within Canada, or www.mx.kohler.com in Mexico.

THE FOREGOING WARRANTIES ARE IN LIEU OF ALL OTHER WARRANTIES, EXPRESS OR IMPLIED, INCLUDING BUT NOT LIMITED TO THE IMPLIED WARRANTIES OF MERCHANTABILITY AND FITNESS FOR A PARTICULAR PURPOSE.

KOHLER CO. AND/OR SELLER DISCLAIM ANY LIABILITY FOR SPECIAL, INCIDENTAL OR CONSEQUENTIAL DAMAGES. Some states/provinces do not allow limitations on how long an implied warranty lasts or the exclusion or limitation of such damages, so these limitations and exclusions may not apply to you. This warranty gives the consumer specific legal rights. You may also have other rights that vary from state/province to state/province. This warranty is to the original consumer purchaser only, and excludes product damage due to installation error, product abuse, or product misuse, whether performed by a contractor, service company, or the consumer.

This is Kohler Co.'s exclusive written warranty.

*Never use cleaners containing abrasive cleansers, ammonia, bleach, acids, waxes, alcohol, solvents or other products not recommended for chrome. This will void the warranty.

Guide d'installation et d'entretien

Panneau de pluie éclairé pour DTV+

INSTRUCTIONS IMPORTANTES



AVERTISSEMENT: Lors de l'utilisation de produits électriques, toujours observer les précautions de base, notamment:



DANGER: Risque d'électrocution. Déconnecter l'alimentation électrique pour la zone de travail au niveau du disjoncteur principal avant d'exécuter les étapes d'installation pour le câblage.



AVERTISSEMENT: Risque de choc électrique. Raccorder uniquement à des circuits protégés par un disjoncteur de fuite de terre (GFCI)*. **Une mise à la terre est requise.** L'appareil doit être installé et mis à la terre par un représentant technique qualifié.



AVERTISSEMENT: Risque de choc électrique. Tout le câblage électrique doit être réalisé par un électricien qualifié.



AVERTISSEMENT: Risque de choc électrique. Déconnecter l'alimentation électrique avant d'effectuer un entretien.



AVERTISSEMENT: Risque de blessures ou d'endommagement du matériel. Lire toutes les instructions avec attention avant de commencer l'installation.

AVIS: Respecter tous les codes de plomberie, d'électricité et de construction.

AVIS: Fournir un accès de service sans restrictions au dispositif d'alimentation de données d'alimentation électrique (PDS).

*Hors de l'Amérique du Nord, ce dispositif peut être connu sous le nom de dispositif à courant résiduel (RCD).

Fonctionnement avec DTV+

- Pour connecter le panneau de pluie éclairé au système DTV+, le module de commande du système K-99695 est requis.
- Le câble de données fourni est utilisé pour connecter le dispositif PDS du panneau de pluie éclairé au module de commande du système.
- Se référer à la section "Disposition du système DTV+" dans ce guide.

Avant de faire fonctionner le système la première fois:

Télécharger et installer le dernier logiciel pour les composants connectés. Une heure ou plus peuvent être nécessaires en fonction de la configuration du système et de la vitesse de connexion internet. **Ne pas déconnecter l'alimentation électrique des composants pendant le téléchargement et l'installation du logiciel.**

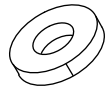
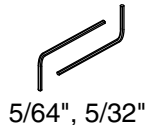
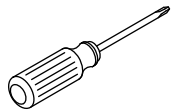
Spécifications

Température ambiante	Max 104°F (40°C)
Humidité relative maximale	95% sans condensation

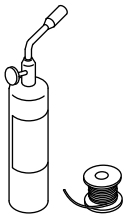
Spécifications (cont.)

Alimentation de données d'alimentation électrique (PDS)	100-240 V c.a., 50-60 Hz, 1,7 A
Longueur de câble de données	25' (7,6 m)
Longueur de câble d'alimentation chroma	30' (9,14 m)

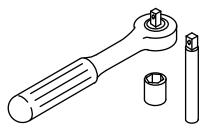
Outils et matériaux



Ruban-cache



Articles de soudage



Clé à douilles et douille de 11 mm ou 7/16\"/>



Ruban d'étanchéité

Plus:

Remarque: Tous les mamelons et raccords NPT 1/2"

- (4) mamelons de 2-1/2"
- Raccords femelles
- Tubulure en cuivre de 1/2"
- Montants 2x4 et 2x6
- Outils et matériaux de travail du bois traditionnels
- Vis à cloison sèche #8 x 1-1/2"
- Vis à bois ou à cloison sèche standard
- Fil électrique
- Tenaille coupe-fils ou pince à dénuder

Avant de commencer

AVIS: Choisir une vanne de compensation automatique de débit minimal approprié pour assurer la sécurité aux débits les plus bas.

- Pour une pomme de douche de débit nominal de 2,5 gal/min (9,5 l/min) maximum, utiliser une vanne de compensation automatique d'un débit nominal de 2,0 gal/min (7,6 l/min) ou moins.

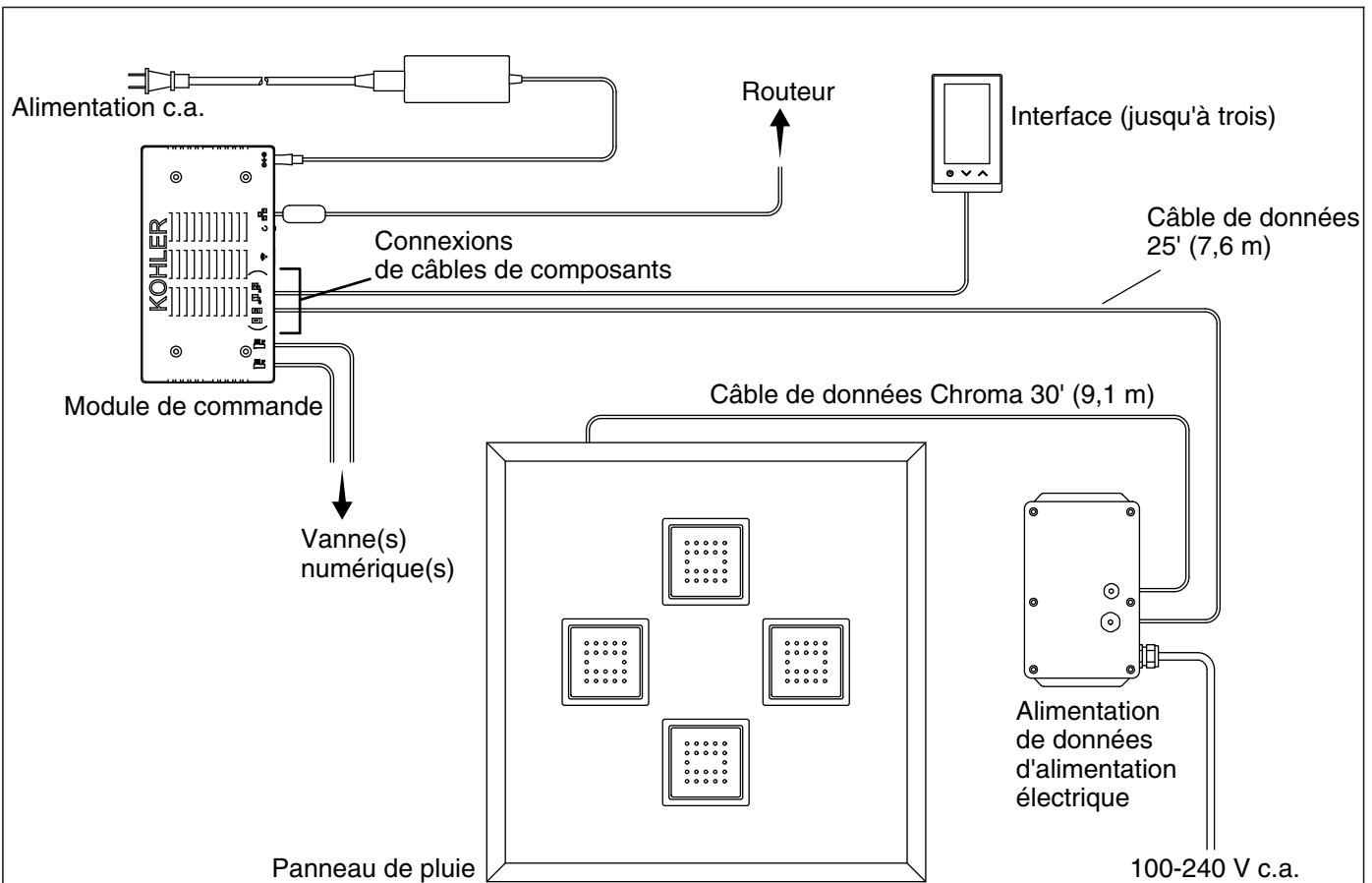


ATTENTION: Risque de blessures. Si le panneau de pluie n'est pas maintenu en place en toute sécurité au cours de l'installation, le produit pourrait tomber. Obtenir de l'aide pour l'installation de l'ensemble du panneau lumineux et des passages d'eau.

- Lire ces instructions et déterminer les emplacements de tous les composants requis avant de commencer l'installation.
- Ce produit est uniquement conçu pour une installation avec fixation au plafond. Ne pas installer sur un mur de douche.
- Ce manuel se rapporte à l'installation du dispositif d'alimentation de données d'alimentation électrique (PDS) dans une armoire de service ou dans une poche de montant 2x6. Si le mur est en cloison, il sera nécessaire de fournir un panneau d'accès pour l'entretien.
- Le dispositif PDS peut être monté sous les solives de plancher. Si le dispositif est monté sous le plancher, il ne doit pas être en cloisonné.
- Le dispositif PDS doit être situé à moins de 30' (9,14 m) du panneau de pluie.
- Si possible, positionner le dispositif PDS dans un rayon de 25' (7,62 m) du module de commande du système.
- Inspecter la tuyauterie d'alimentation afin d'y rechercher des dommages. Remplacer selon les besoins.

Avant de commencer (cont.)

- Le dispositif PDS est conçu pour une installation de visserie. S'assurer que l'alimentation électrique peut être fournie à une armoire de service ou à un pan à colombages 2x6 avec panneau d'accès, à une distance de moins de 2' (0,61 m) de l'emplacement prévu du dispositif PDS.
- Pour réduire le risque de choc électrique, placer le dispositif PDS et le panneau de pluie du plafond à proximité de l'un l'autre afin de permettre à chaque câble d'avoir une boucle d'égouttement.



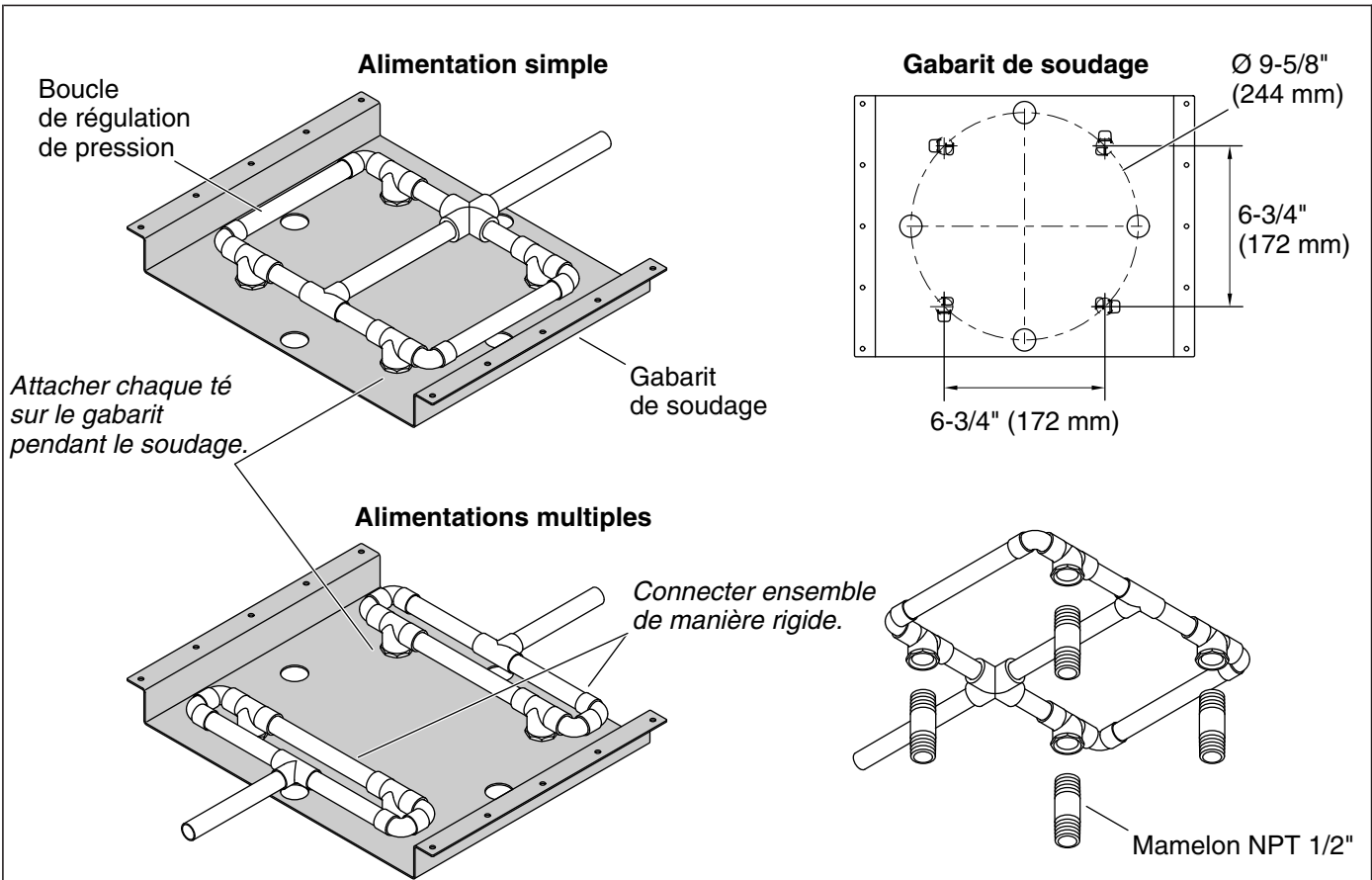
1. Disposition du système DTV+

Le module de commande du système K-99695 alimente l'interface ou les interfaces et commande le panneau de pluie éclairé ainsi que les autres composants du système.

- Déterminer les emplacements de tous les composants requis.
- Acheminer le câble de données de 25' entre l'emplacement d'installation du dispositif PDS et l'emplacement d'installation du module de commande. Si le dispositif PDS n'est pas compris dans un rayon de 25' (7,6 m) du module de commande, ajouter un câble de rallonge style Ethernet.
- Acheminer le câble d'alimentation chroma de 30' (9,14 m) entre l'emplacement d'installation du dispositif PDS et l'emplacement d'installation du panneau de pluie.
- Pour les connexions de câbles, se reporter à la section "Connecter les câbles".

Avant de faire fonctionner le système la première fois:

Télécharger et installer le dernier logiciel pour les composants connectés. Une heure ou plus peuvent être nécessaires en fonction de la configuration du système et de la vitesse de connexion internet. **Ne pas déconnecter l'alimentation électrique des composants pendant le téléchargement et l'installation du logiciel.**

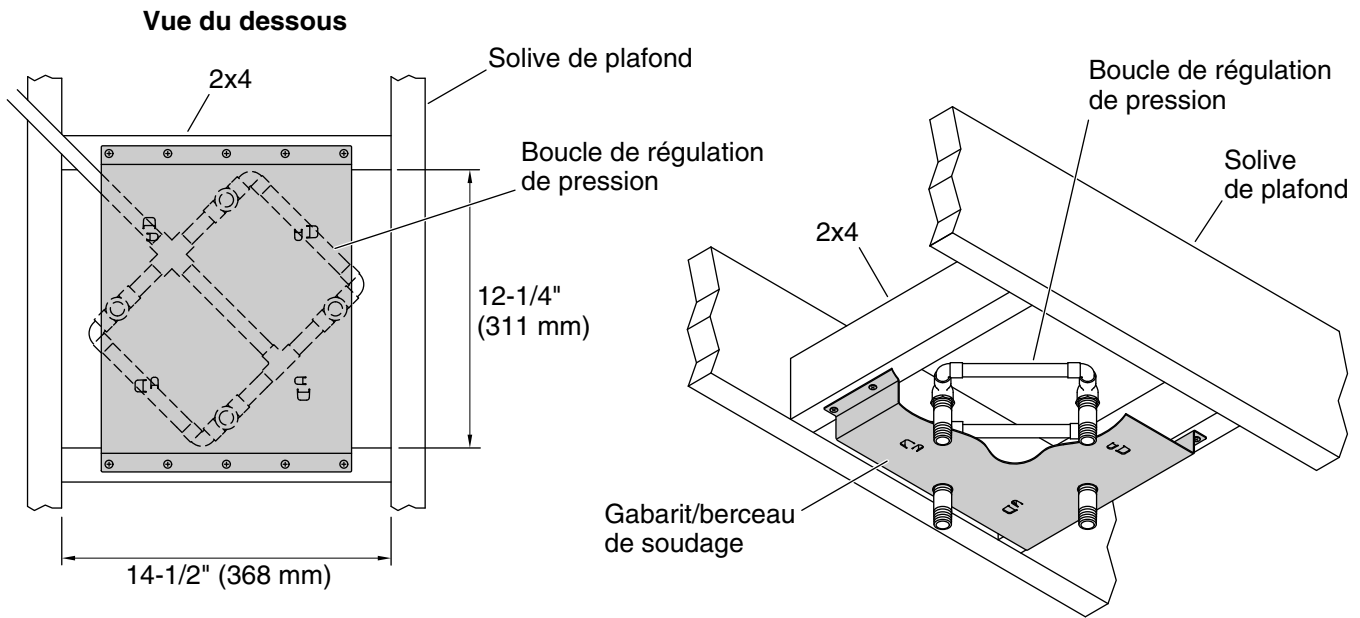


2. Installer la tubulure d'arrivée

- Acheminer les conduites d'alimentation en eau.
- Utiliser le gabarit de soudage fourni pour construire une boucle de régulation de pression.
- Positionner les tés dans la boucle ou les boucles sur chacun des quatre emplacements en relief sur le gabarit.
- Souder l'ensemble pendant qu'il est attaché sur le gabarit.

IMPORTANT! Pour plusieurs conduites d'arrivée: Pour assurer un alignement adéquat des tés avec le produit, les boucles de régulation de pression doivent être connectées de manière rigide à l'une l'autre pendant qu'elles se trouvent sur le gabarit de soudage.

- **Pour plusieurs conduites d'arrivée:** Pendant qu'elles se trouvent sur le gabarit de soudage, connecter les deux boucles de régulation de pression à l'une l'autre de manière rigide.
- Retirer la boucle de régulation de pression se trouvant sur le gabarit.
- Connecter la boucle de régulation de pression à l'alimentation en eau.
- Ne pas dégarnir les tuyaux.
- Installer un mamelon temporaire sur chaque té. Ne pas utiliser du mastic d'étanchéité.



3. Installer le cadrage de support

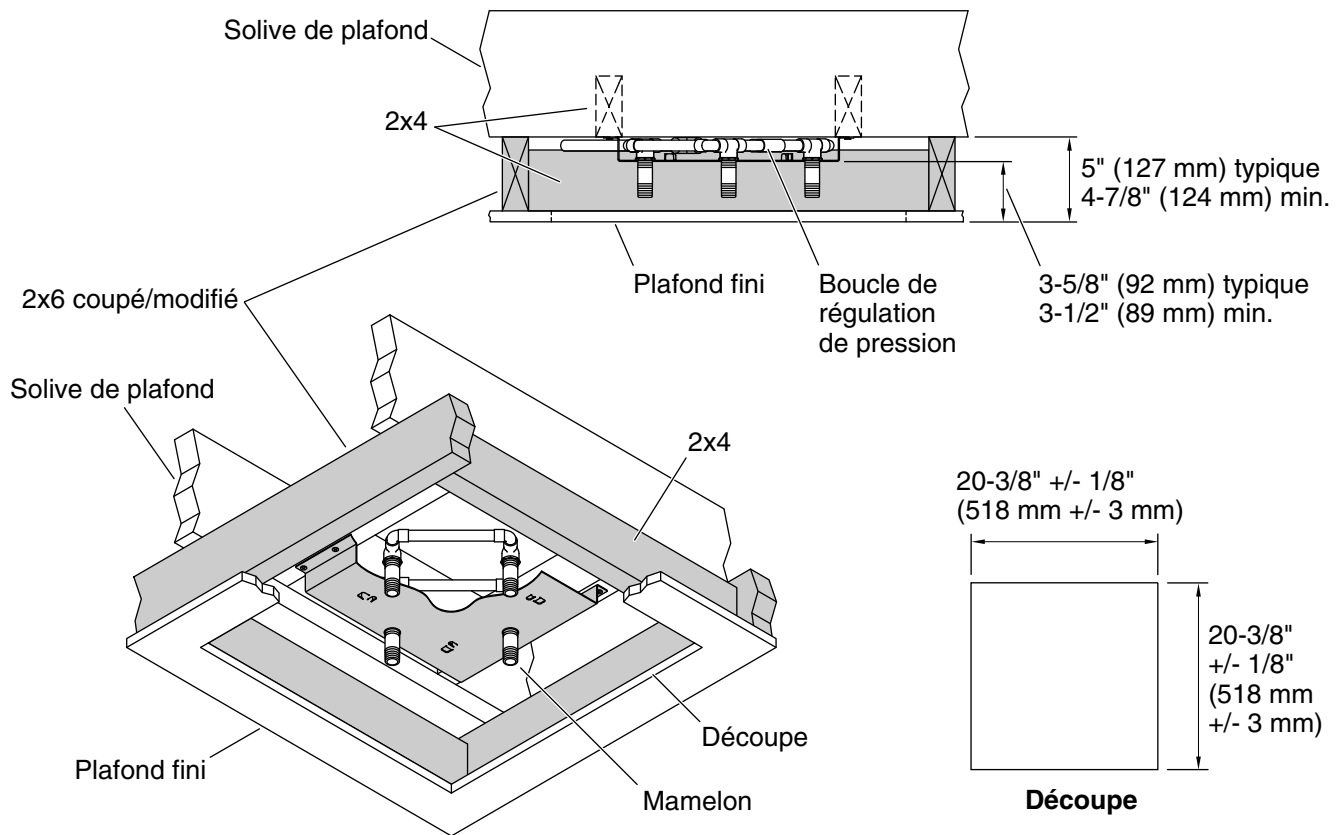


AVERTISSEMENT: Risque de blessures ou d'endommagement du matériel. Le gabarit/le berceau doit être sécurisé de manière adéquate afin de supporter le poids du panneau de pluie. Sécuriser le berceau sur le cadrage en utilisant six vis longues pour cloison sèche #8 x 1-1/2\".

- Si le panneau de pluie est installé sur un plafond fini, retirer la cloison sèche de l'emplacement d'installation.

IMPORTANT! Le gabarit de soudage doit être sécurisé sur l'ossature.

- Attacher une surface de fixation sur l'ossature du plafond en utilisant les vis longues pour cloison sèche #8 x 1-1/2\".
- Construire le cadrage de support en utilisant les montants 2x4 comme sur l'illustration ci-dessus. La face de chaque montant 2x4 doit être installée à ras de la face des solives de plafond.
- Positionner le gabarit/le berceau sous la ou les boucle(s) de régulation de pression, comme sur l'illustration. Attacher le berceau sur le cadrage de support.
- Ne pas dégarnir les tuyaux.



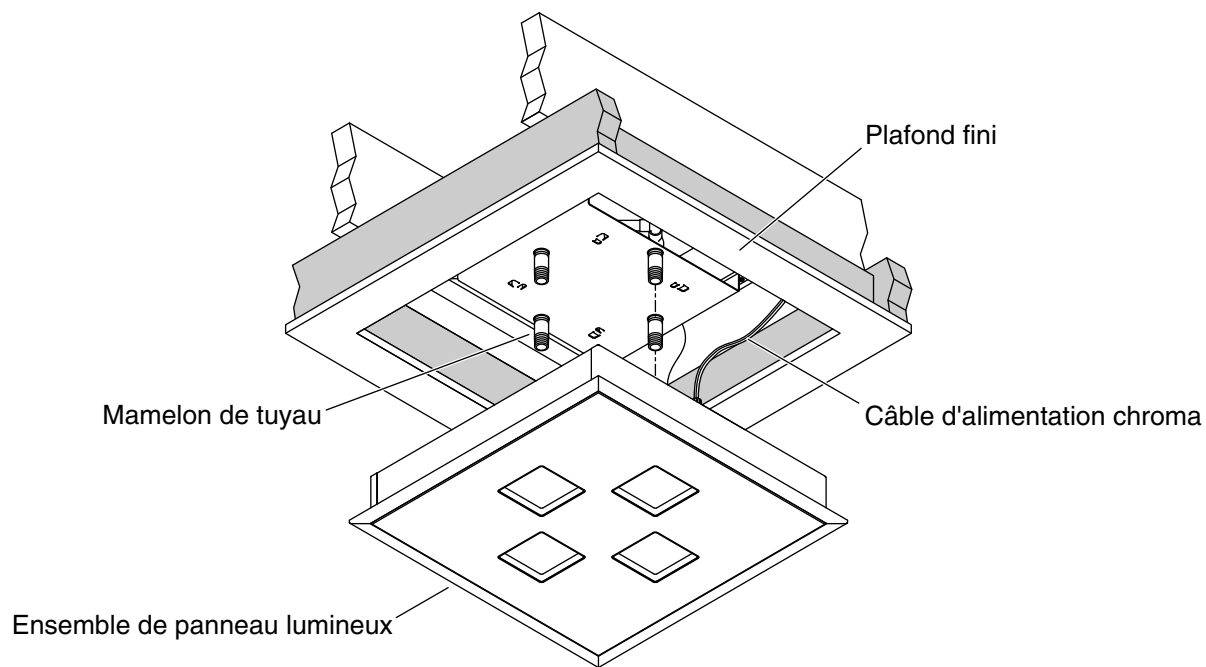
4. Installer le plafond fini

- Construire un appui surbaissé typique de 5" (127 mm) (y inclus le matériau du plafond fini) autour du berceau de montage en utilisant le bois 2x6 coupé/modifié.
- Installer le matériau du panneau mural hydrorésistant.

IMPORTANT! La découpe du plafond doit se trouver dans les limites de dimensions spécifiées ci-dessus. Le joint d'étanchéité ne recouvre pas les écarts supérieurs à 1/4" (6 mm).

IMPORTANT! La ou les boucles de régulation doivent être centrées dans un espace de 1/8" (3 mm) avec les mamelons des tuyaux espacés de manière égale par rapport aux bords de l'ouverture brute.

- Découper un carré de 20-3/8" (518 mm) à l'emplacement de l'installation. Le carré doit se trouver dans un rayon de 1/8" (3 mm) de la dimension de découpe pour assurer que les bords dégrossis seront couverts par le cadre du panneau lumineux après l'installation.
- Installer le matériau de plafond fini (si un carrelage est utilisé).
- Vérifier que l'appui surbaissé fini se trouve entre 3-1/2" (89 mm) et 3-3/4" (95 mm) du bas du berceau.



5. Installer les mamelons des tuyaux et le panneau lumineux

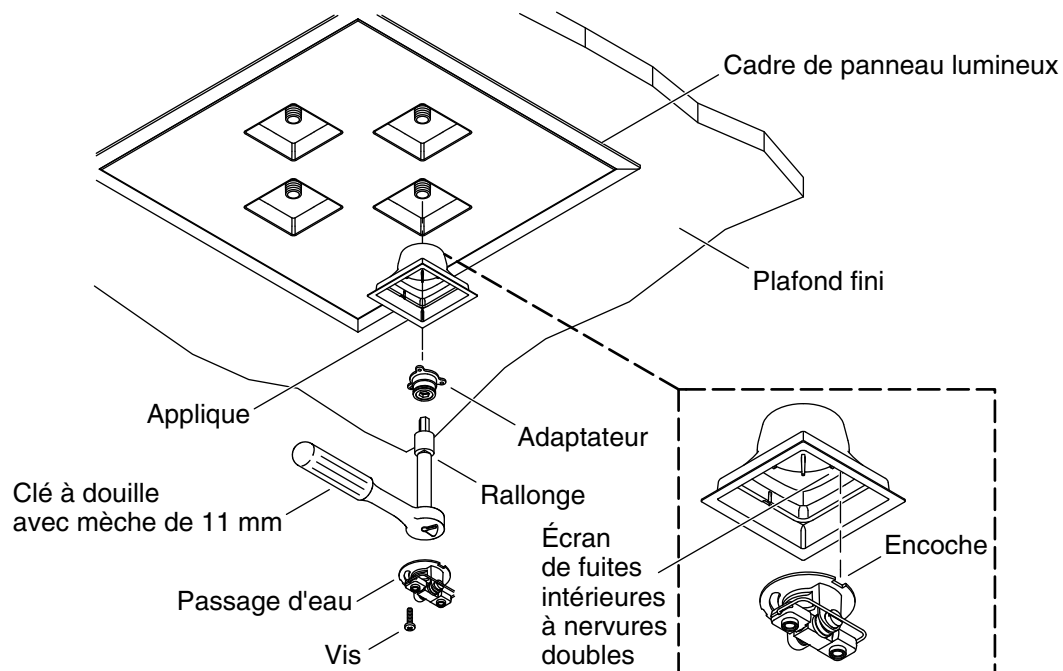


ATTENTION: Risque de blessures. Si le panneau de pluie n'est pas maintenu en place en toute sécurité au cours de l'installation, le produit pourrait tomber. Obtenir de l'aide pour l'installation de l'ensemble du panneau lumineux et des passages d'eau.

- Retirer les mamelons.
- Appliquer du ruban d'étanchéité pour filets sur les filets des mamelons.
- Réinstaller les mamelons sur les tés/coudes.
- Faire couler de l'eau à travers le système pour éliminer les saletés ou les débris.

IMPORTANT! Les étapes suivantes doivent être exécutées par deux personnes.

- Lever le panneau lumineux jusqu'à l'emplacement d'installation et attacher le câble d'alimentation chroma acheminé au préalable sur l'ensemble du panneau lumineux.
- Insérer le panneau lumineux dans l'ouverture brute du plafond fini et le maintenir en place. Le panneau lumineux doit être supporté jusqu'à ce qu'il soit sécurisé en installant les adaptateurs.



6. Installer le passage d'eau



ATTENTION: Risque de blessures. Si le panneau de pluie n'est pas maintenu en place en toute sécurité au cours de l'installation, le produit pourrait tomber. Obtenir de l'aide pour l'installation de l'ensemble du panneau lumineux et des passages d'eau.

IMPORTANT! Les étapes suivantes doivent être exécutées par deux personnes.

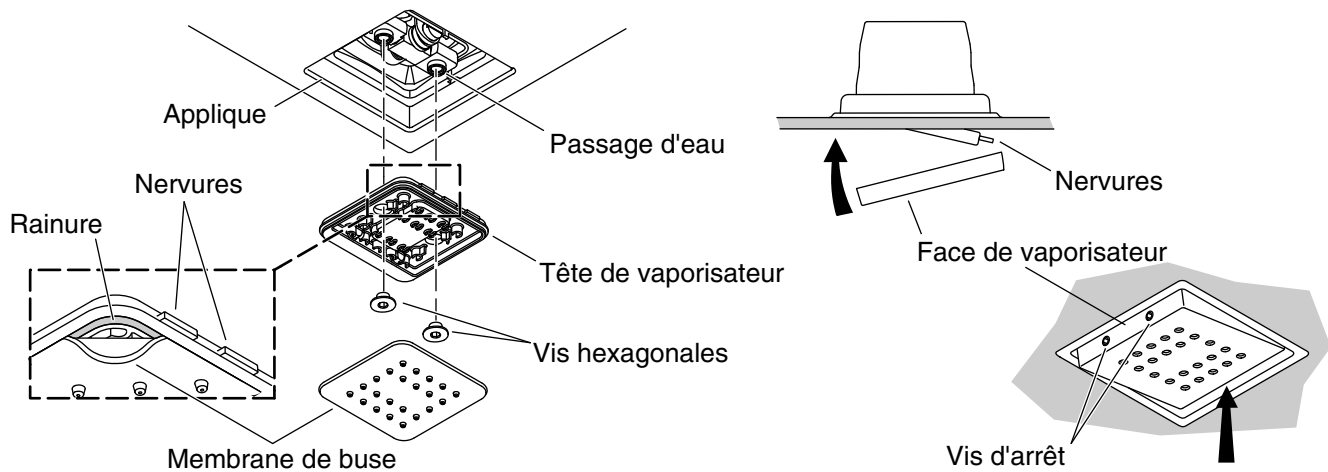
- Insérer une applique dans l'une des quatre ouvertures du panneau lumineux. Orienter les nervures doubles de l'applique vers le centre du panneau.
- Pendant qu'une personne maintient le panneau lumineux dans l'ouverture brute, enfiler un adaptateur dans le mamelon du tuyau.
- Tandis que l'autre personne continue à tenir le panneau, installer les trois appliques et adaptateurs restants pour suspendre le dispositif.
- Relâcher le panneau une fois que les quatre adaptateurs sont installés. Le panneau ne sera pas serré sur le plafond à ce stade.

IMPORTANT! Sécuriser les adaptateurs de manière suffisante pour créer un joint étanche à l'eau pour les filets du tuyau.

- Sécuriser chaque adaptateur en utilisant la mèche de 11 mm (fournie) avec la rallonge de douille de 11 mm ou 7/16", ainsi que la clé à douilles. Utiliser du ruban-cache pour maintenir la mèche en place, et pour l'empêcher de tomber et d'endommager la douche. Le panneau lumineux doit toujours rester posé de manière lâche contre le plafond.
- Installer le passage d'eau en alignant l'encoche dans le passage d'eau avec les nervures doubles sur l'intérieur de l'écran anti-fuite.
- Appuyer sur le passage d'eau pour le mettre en place par-dessus l'adaptateur. Fixer le passage d'eau sur l'adaptateur avec la vis fournie. Ne pas serrer complètement à ce point.
- Répéter cette procédure pour les passages d'eau restants.
- Serrer les vis de manière uniforme jusqu'à ce que le cadre extérieur du panneau soit contre le plafond, et que le joint d'étanchéité soit comprimé.

Installer le passage d'eau (cont.)

IMPORTANT! Si le panneau lumineux ne rencontre pas le plafond dans un espace de 1/32" (1 mm), le mamelon du tuyau est trop long. Vérifier la profondeur brute. Essayer de tourner l'adaptateur fileté davantage, ou utiliser un mamelon de tuyau plus court.



7. Installer la garniture

Attacher la tête du vaporisateur

- Utiliser une clé hexagonale de 5/32" pour sécuriser la tête du vaporisateur sur le passage d'eau avec les deux vis à tête hexagonale. Ne pas trop serrer.
- Vérifier que la tête du vaporisateur est d'équerre dans l'applique et qu'elle bascule librement vers le haut et vers le bas.
- Placer la membrane de la buse par-dessus la tête du vaporisateur en alignant le bord long de la membrane avec les nervures.

REMARQUE: Pour assurer une performance optimale, s'assurer que la membrane de la buse est appliquée de manière uniforme.

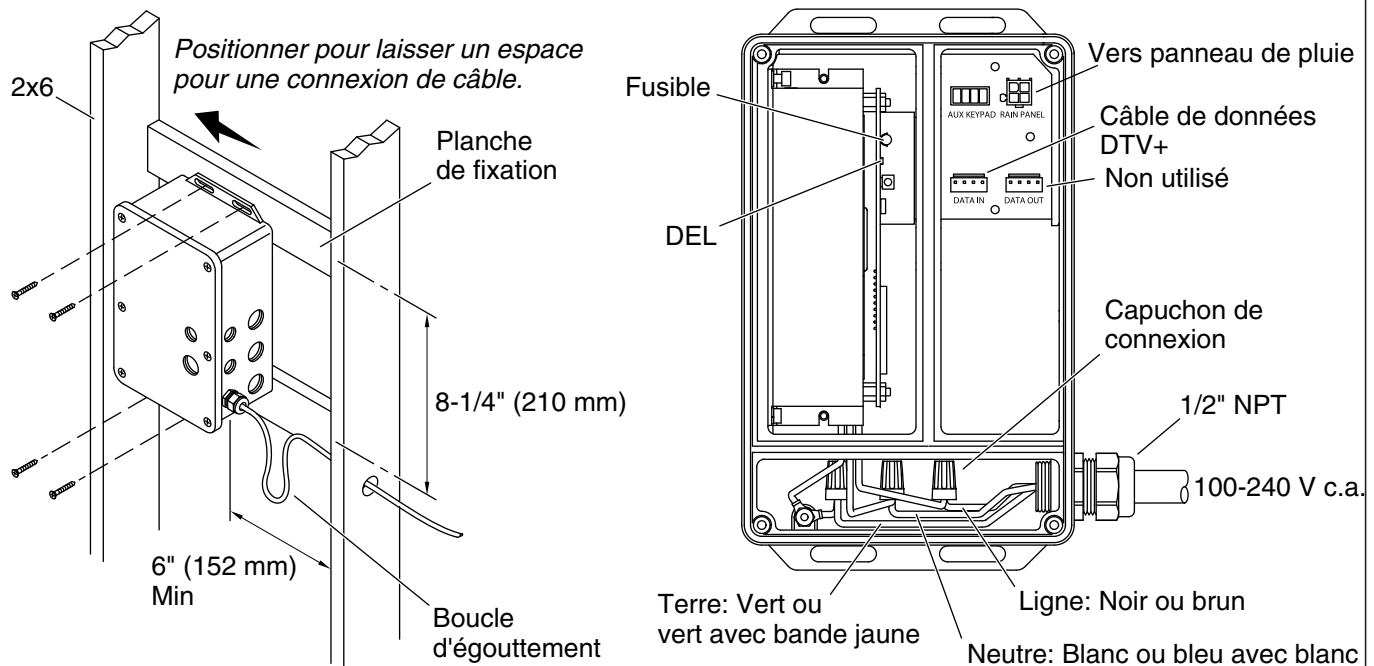
- Tout en appliquant une pression de manière uniforme, appuyer sur le joint de la membrane pour l'enfoncer dans la rainure de la tête du vaporisateur.
- Répéter cette procédure pour les têtes de vaporisateur restantes.

Attacher la face du vaporisateur

- Incliner la tête du vaporisateur pour exposer les nervures.
- Positionner les rainures de la face du vaporisateur par-dessus les nervures d'articulation, puis tourner l'extrémité lâche de la face du vaporisateur tel qu'illustré.
- Appuyer sur la face du vaporisateur pour recouvrir la tête de celui-ci.
- Faire basculer l'ensemble de la tête du vaporisateur pour exposer les trous des vis d'arrêt.

IMPORTANT! Pour éviter un endommagement du produit, les vis d'arrêt doivent dépasser au-delà de la face du vaporisateur.

- Utiliser une clé hexagonale de 5/64" pour tourner les vis d'arrêt dans le sens antihoraire, jusqu'à ce qu'elles soient à ras du bord de la face du vaporisateur.
- Répéter ces procédures pour les faces de vaporisateur restantes.



8. Installer l'alimentation des données d'alimentation électrique

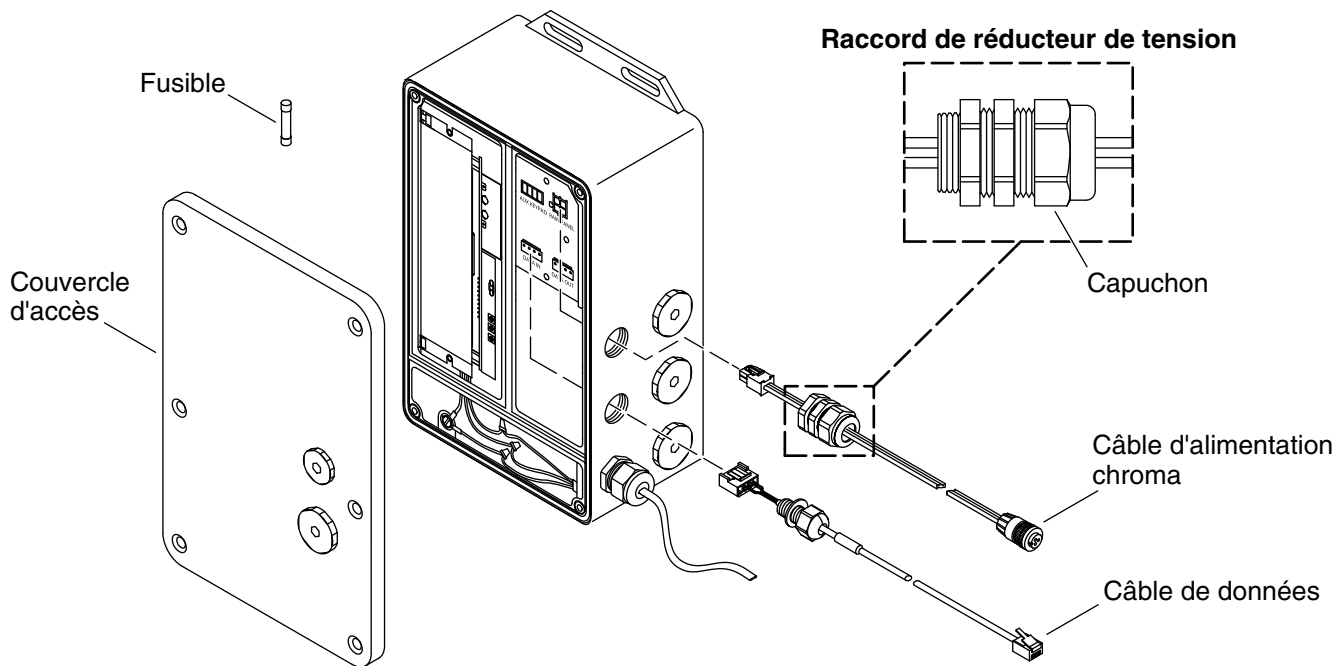


DANGER: Risque d'électrocution. Déconnecter l'alimentation électrique pour la zone de travail au niveau du disjoncteur principal avant d'exécuter les étapes d'installation pour le câblage.

- Le dispositif PDS est conçu pour s'adapter dans une armoire de service ou une cavité de montant 2x6 avec panneau d'accès. Le dispositif PDS doit être situé à moins de 25' (7,62 m) du panneau de pluie éclairé.
- Installer l'ossature adéquate pour la fixation du dispositif PDS.
- Acheminer le fil électrique vers l'armoire de service ou les pans à colombages 2x6, dans une distance de 24" (610 mm) du dispositif PDS. S'assurer que le fil est positionné de manière à atteindre le dispositif PDS à l'emplacement où effectuer des connexions électriques, et laisser une quantité de fil suffisante pour créer une boucle d'égouttement.
- Positionner le boîtier du dispositif PDS dans l'armoire de service ou dans la cavité du montant de manière à laisser assez d'espace pour retirer le couvercle et connecter les câbles. Si possible, connecter les câbles à travers les trous latéraux et non pas ceux du couvercle afin de faciliter le retrait du couvercle lors d'un entretien.
- Attacher le dispositif PDS sur l'ossature ou sur une autre surface sécurisée en utilisant des vis à bois ou des vis à cloison sèche standard (non fournies). Il sera peut-être nécessaire d'installer les planches de montage entre les pans à colombages.

Effectuer les connexions de câbles

- Retirer le couvercle du dispositif PDS.
- Acheminer le fil électrique à travers le trou NPT de 1/2" pour l'amener dans la chambre de connexion d'alimentation du dispositif PDS.
- Utiliser les écrous câble et connecter les fils de ligne (noirs ou bruns), les fils neutres (blancs ou bleus avec blanc) et de terre (verts ou verts avec bandes jaunes).
- Tout en respectant les codes électriques pour le pliage des fils internes, rentrer avec précaution les fils dans le logement du dispositif PDS. S'assurer que les fils ne sont pas pincés lors de la réinstallation du couvercle du boîtier du dispositif PDS.



9. Connecter les câbles

IMPORTANT! Si possible, connecter les câbles à travers les trous latéraux du dispositif PDS et non pas ceux du couvercle afin de faciliter le retrait du couvercle lors d'un entretien.

REMARQUE: Créer des boucles d'égouttement dans tous les câbles et cordons.

- Préparer les extrémités des câbles pour l'installation dans le dispositif PDS en dévissant le capuchon du réducteur de tension et en séparant le bouchon en caoutchouc du corps fileté. Ceci empêche une torsion des câbles lors de la mise en place du réducteur de tension dans le boîtier.
- Insérer le câble d'alimentation chroma dans un trou NPT de 1/2" et installer celui-ci dans le connecteur "RAIN PANEL (panneau de pluie)" jusqu'à ce qu'il s'enclenche.
- Insérer le câble de données dans un trou NPT de 1/2" et installer dans le connecteur "DATA IN (entrée de données)" jusqu'à ce qu'il s'enclenche.
- Sécuriser les câbles et le fil électrique sur le dispositif PDS en utilisant les raccords du réducteur de tension étanche à l'eau. Enfiler le raccord dans le boîtier, puis faire glisser le bouchon en caoutchouc dans le raccord. Serrer le capuchon pour créer un joint étanche.

IMPORTANT! Vérifier que tous les trous non utilisés du boîtier du dispositif PDS sont recouverts d'un bouchon.

- Vérifier que tous les fils sont rangés dans le logement du dispositif PDS et qu'ils ne seront pas pincés lors de la fixation du couvercle d'accès.
- Réinstaller le couvercle d'accès. Ne pas trop serrer.

Terminer l'installation

- Si ceci n'a pas encore été effectué, installer le module de commande du système K-99695 selon les instructions accompagnant le produit.
- Connecter le câble de données dans l'un des huit ports de composants regroupés sur le module de commande. Se référer à la section "Disposition du système DTV+".
- Pour obtenir de l'information sur la configuration et le fonctionnement du système, se référer au guide sur la page du produit du module de commande au www.us.kohler.com.

Avant de faire fonctionner le système la première fois:

Connecter les câbles (cont.)

Télécharger et installer le dernier logiciel pour les composants connectés. Une heure ou plus peuvent être nécessaires en fonction de la configuration du système et de la vitesse de connexion internet. **Ne pas déconnecter l'alimentation électrique des composants pendant le téléchargement et l'installation du logiciel.**

Entretien et nettoyage

Pour obtenir les meilleurs résultats possibles, prendre ce qui suit en considération lors de l'entretien de votre produit KOHLER:

- Utiliser un détergent doux comme du liquide pour vaisselle et de l'eau chaude pour nettoyer. Ne pas utiliser de nettoyeurs abrasifs qui pourraient rayer ou ternir la surface.
- Lire l'étiquette du produit de nettoyage avec le plus grand soin pour assurer que celui-ci peut être utilisé sans danger sur le matériau.
- Toujours tester la solution de nettoyage sur une surface non visible avant de l'appliquer sur l'ensemble de la surface.
- Ne pas laisser les nettoyeurs reposer ou tremper sur la surface.
- Essuyer les surfaces et rincer complètement avec de l'eau immédiatement après l'application du nettoyeur. Rincer et sécher tout éclaboussement sur les surfaces avoisinantes.
- Utiliser une éponge ou un chiffon doux et humide. Ne jamais utiliser de matériau abrasif tel qu'une brosse ou une éponge à récurer pour nettoyer les surfaces.

Pour obtenir des informations détaillées sur le nettoyage et les produits à considérer, consulter le site www.kohler.com/clean. Pour commander des informations sur l'entretien & le nettoyage, appeler le 1-800-456-4537.

Dépannage

IMPORTANT! Couper l'alimentation électrique avant d'effectuer un entretien quelconque.

REMARQUE: Pour le dépannage du système DTV+, consulter la page de produit du module de commande K-99695 au www.us.kohler.com.

REMARQUE: Pour tout renseignement sur les pièces de rechange, visiter la page du produit à www.kohler.com/serviceparts.

Ce guide de dépannage est seulement destiné à fournir une aide d'ordre général. Pour des problèmes ou questions concernant l'entretien et l'installation, composer le 1-800-4-KOHLER.

Tableau de dépannage

Symptômes	Cause probable	Action recommandée
1. Le panneau de pluie n'apparaît pas sur l'interface utilisateur.	<p>A. Aucune alimentation au dispositif PDS.</p> <p>B. La connexion du câble de données au module de commande est desserrée ou endommagée.</p> <p>C. Le fusible du dispositif PDS a sauté.</p> <p>D. Le module de commande n'attribue pas d'adresse au dispositif PDS.</p>	<p>A. Couper l'alimentation électrique du PDS et retirer le panneau d'accès. Si le voyant DÉL n'est pas allumé, il est possible que le disjoncteur se soit déclenché. Réinitialiser le disjoncteur. Si le voyant DÉL n'est toujours pas allumé, inspecter les connexions de câblage.</p> <p>B. Vérifier la connexion du câble et remplacer ce dernier si nécessaire.</p> <p>C. Remplacer le fusible du dispositif PDS.</p> <p>D. Contacter un représentant technique agréé de Kohler Co.</p>

Dépannage (cont.)

Tableau de dépannage

Symptômes	Cause probable	Action recommandée
	E. Défaillance du dispositif PDS.	E. Contacter un représentant technique agréé de Kohler Co.
2. Le panneau de pluie apparaît sur l'interface utilisateur mais il ne peut pas être sélectionné.	A. Le câble de données chroma est desserré ou endommagé. B. Défaillance du dispositif PDS ou du panneau de pluie éclairé.	A. Vérifier la connexion du câble et remplacer ce dernier si nécessaire. B. Contacter un représentant technique agréé de Kohler Co.
3. Impossible de retirer les câbles du boîtier du dispositif PDS.	A. Les câbles se tordent lors du dévissage des connexions du réducteur de tension.	A. Seulement dévisser le capuchon du réducteur de tension puis séparer le bouchon en caoutchouc du corps du réducteur de tension. Le réducteur de tension peut alors être dévissé du boîtier du dispositif PDS.
4. De l'eau s'écoule autour des têtes du vaporisateur.	A. La membrane de la buse n'est pas positionnée correctement.	A. Retirer la face de vaporisateur finie et vérifier que la membrane de la buse est entièrement assise dans la rainure de la tête du vaporisateur. Se reporter à la section "Installer la garniture".

Garantie

Robinetts électroniques, valves et contrôles KOHLER® GARANTIE LIMITÉE DE CINQ ANS

Kohler Co. garantit les robinets, valves et contrôles électroniques contre tout vice de matériau et de fabrication lors d'une utilisation domestique normale, pendant cinq ans à partir de la date d'installation du produit. La présente garantie s'applique uniquement aux robinets, valves et contrôles électroniques installés aux États-Unis, au Canada et au Mexique ("Amérique du Nord").

En cas de vice lors d'une utilisation domestique normale, Kohler Co. choisira, à sa discrétion, la réparation, le remplacement de la pièce ou du produit, ou la rectification appropriée. Tout dommage causé par un accident, une mauvaise utilisation ou un mauvais traitement n'est pas couvert par la présente garantie. Un entretien et un nettoyage inadéquats annulent la garantie*. Une preuve d'achat (ticket de caisse d'origine) doit être présentée à Kohler Co. avec toutes les réclamations au titre de la garantie. Kohler Co. n'est pas responsable des frais de main-d'œuvre, d'installation ou de tout autre frais particulier accessoire ou indirect que ceux susmentionnés. La responsabilité de Kohler Co. ne dépassera en aucun cas le prix d'achat du robinet, de la valve ou du contrôle.

Si les robinets, les valves ou les contrôles électroniques sont utilisés dans un commerce ou si ces articles sont installés en dehors d'Amérique du Nord, Kohler Co. garantit les robinets, les valves ou les contrôles contre tout vice de matériau et de fabrication pendant un (1) an à partir de la date d'installation dudit produit, et toutes les autres modalités de la présente garantie s'appliquent à l'exception de sa durée.

Pour toute réclamation au titre de la présente garantie, contacter le vendeur, plombier, centre de rénovation ou revendeur par internet. Fournir tous les renseignements pertinents à la réclamation, dont notamment une description complète du problème et du produit, le numéro de modèle, la date et le lieu d'achat du produit, ainsi que la date de son installation. Joindre également l'original de la facture. Pour de plus amples renseignements ou pour obtenir les coordonnées du service de réparation le plus proche, écrire à Kohler Co., Attn: Customer Care Center, Kohler, Wisconsin 53044, USA, ou appeler le 1-800-4-KOHLER (1-800-456-4537) à partir des É.-U. et du Canada, et le 001-800-456-4537 à partir du Mexique, ou consulter le site www.kohler.com aux É.-U., www.ca.kohler.com à partir du Canada, ou www.mx.kohler.com au Mexique.

LES GARANTIES SUSMENTIONNÉES SONT FOURNIES AU LIEU ET PLACE DE TOUTES AUTRES GARANTIES, EXPRESSES OU TACITES, Y COMPRIS LES GARANTIES TACITES DE

Garantie (cont.)

COMMERCIALITÉ ET D'ADAPTATION À UN USAGE PARTICULIER.

KOHLER CO. ET/OU LE REVENDEUR DÉCLINENT TOUTE RESPONSABILITÉ CONTRE LES DOMMAGES PARTICULIERS, ACCESSOIRES OU INDIRECTS. Certains états et provinces ne permettent pas de limite sur la durée de la garantie tacite, ni l'exclusion ou la limite des dommages, et, par conséquent, lesdites limites et exclusions peuvent ne pas s'appliquer à votre cas. La présente garantie accorde au consommateur des droits juridiques particuliers. Vous pouvez également avoir d'autres droits qui varient d'un état ou d'une province à l'autre. La présente garantie est accordée uniquement à l'acquéreur d'origine et exclut tous dommages dus à une mauvaise installation, un usage abusif ou une mauvaise utilisation du produit, qu'ils soient effectués par un entrepreneur, une société de services ou le consommateur.

Ceci constitue la garantie écrite exclusive de Kohler Co.

*Ne jamais utiliser de nettoyants contenant des agents abrasifs, de l'ammoniaque, de l'eau de Javel, des acides, des cires, de l'alcool, des dissolvants ou autres produits non recommandés pour le chrome. Ceci annulera la garantie.

Guía de instalación y cuidado

Panel de lluvia iluminado para DTV+

INSTRUCCIONES IMPORTANTES



ADVERTENCIA: Al usar aparatos eléctricos siga siempre las precauciones básicas, incluidas las siguientes:



PELIGRO: Riesgo de electrocución. Desconecte la corriente eléctrica al área de trabajo en el panel principal de interruptores antes de realizar los pasos de instalación para el cableado directo.



ADVERTENCIA: Riesgo de sacudida eléctrica. Solo conecte a circuitos protegidos por un interruptor de circuito con pérdida a tierra (GFCI)*. **Se requiere conexión a tierra.** Un representante de servicio autorizado debe instalar esta unidad y conectarla a tierra.



ADVERTENCIA: Riesgo de sacudida eléctrica. Un electricista calificado debe realizar todo el cableado eléctrico.



ADVERTENCIA: Riesgo de sacudida eléctrica. Desconecte el suministro eléctrico antes de dar servicio.



ADVERTENCIA: Riesgo de lesiones personales o de daños a la propiedad. Lea atentamente todas las instrucciones antes de comenzar la instalación.

AVISO: Cumpla todos los códigos de plomería, eléctricos y de construcción.

AVISO: Provea acceso de servicio, sin restricciones, a la fuente eléctrica de datos (PDS).

*Fuera de los Estados Unidos, este dispositivo se conoce como dispositivo de corriente residual (RCD, por sus siglas en inglés).

Funcionamiento con DTV+

- Para conectar el panel de lluvia iluminado al sistema DTV+, es necesario tener el controlador del sistema K-99695.
- El cable para datos que se incluye se usa para conectar la fuente eléctrica de datos (PDS) del panel de lluvia iluminado al controlador del sistema.
- Consulte la sección "Configuración del sistema DTV+" en esta guía.

Antes de usar el sistema por primera vez:

Descargue e instale el software más reciente para componentes conectados. Completar este proceso puede tomar una hora o más, de acuerdo a la configuración del sistema y a la velocidad de conexión de Internet. **No desconecte el suministro eléctrico de ninguno de los componentes durante la descarga y la instalación del software.**

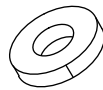
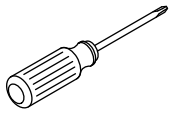
Especificaciones

Temperatura ambiental	Máx. 104°F (40°C)
Humedad relativa máxima	95% sin condensación
Fuente de eléctrica de datos (PDS)	100-240 VAC, 50-60 Hz, 1,7 A

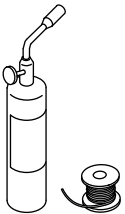
Especificaciones (cont.)

Longitud del cable para datos	25' (7,6 m)
Longitud del cable para datos para cromoterapia	30' (9,14 m)

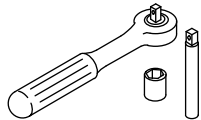
Herramientas y materiales



Cinta de enmascarar



Materiales para soldar



Llave de dados y dado de 11 mm o 7/16\"/>



Cinta selladora

Más:

Nota: Todas las conexiones y los nipples son de 1/2\"/>

- (4) nipples de 2-1/2\"/>
- Conectores hembra
- Tubo de cobre de 1/2\"/>
- Maderos de 2x4 y de 2x6
- Herramientas y materiales convencionales de carpintería
- Tornillos #8 x 1-1/2\"/>
- Tornillos estándar para madera o panel de yeso
- Cable eléctrico
- Cortacables o pelacables

Antes de comenzar

AVISO: Seleccione una válvula reguladora automática con la capacidad mínima de flujo adecuada para asegurar que la válvula ofrecerá seguridad a las tasas de flujo más bajas.

- Para una cabeza de ducha de velocidad de flujo nominal máxima de 2,5 gal/min ((9,5 l/min), utilice una válvula reguladora automática de capacidad nominal para 2,0 gal/min (7,6 l/min) o menos.

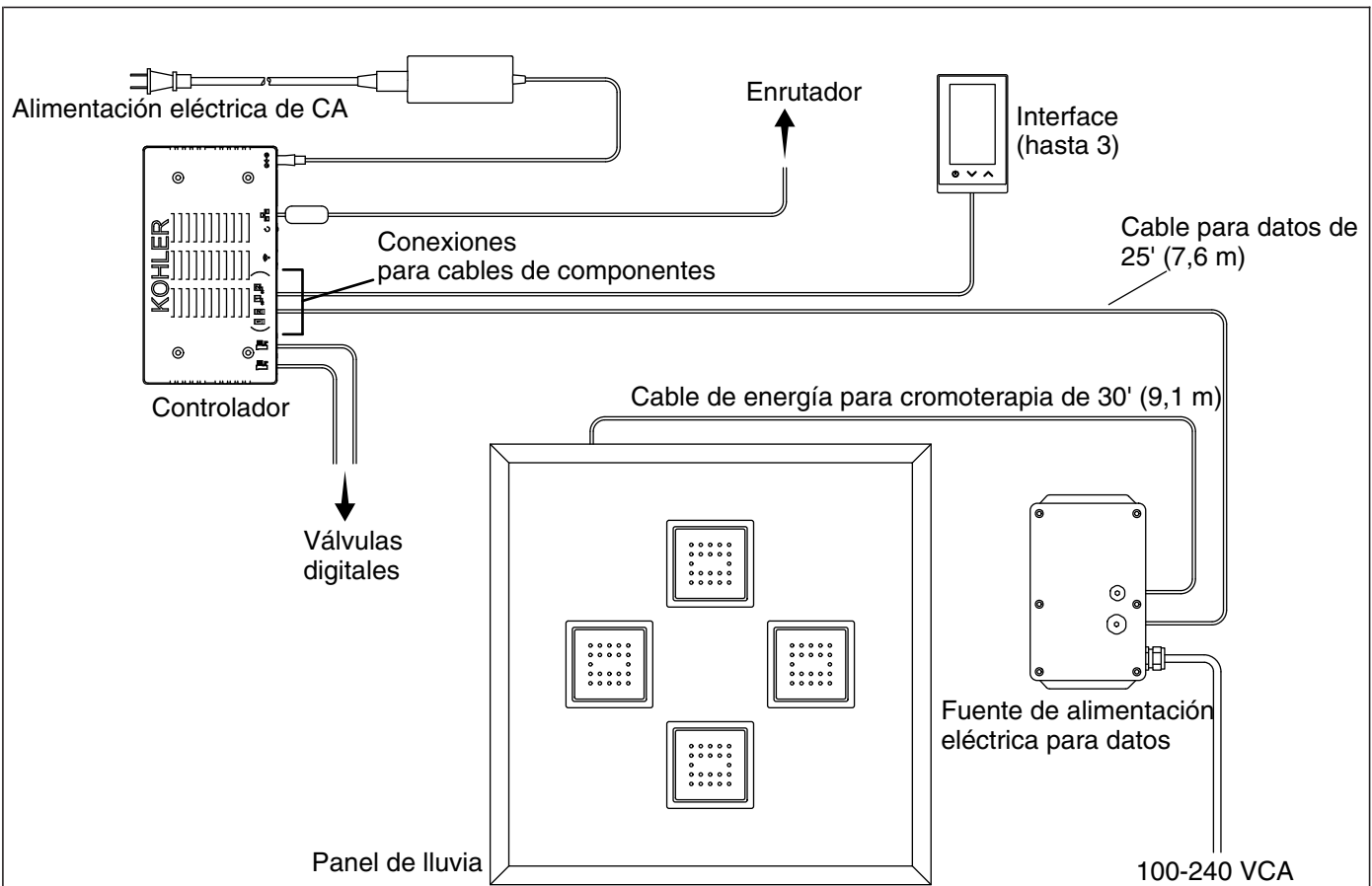


PRECAUCIÓN: Riesgo de lesiones personales. Si el panel del lluvia no se fija con seguridad en su lugar durante la instalación, el producto podría caerse. Pida ayuda para instalar el montaje del panel de iluminación y las vías de agua.

- Lea estas instrucciones y determine la ubicación de todos los componentes requeridos antes de comenzar la instalación.
- Este producto está diseñado solo para ser instalado en el techo. No lo instale en la pared de la ducha.
- Este manual cubre la instalación vertical de la fuente de alimentación eléctrica para datos (PDS) en un armario de servicio o en un encajonado de postes de madera de 2x6. Si la pared se va a cerrar, es necesario proveer un panel de acceso para dar servicio.
- La fuente eléctrica de datos (PDS) también se puede instalar bajo las vigas del piso. Si se instala bajo el piso, la unidad no debe quedar encerrada.
- La PDS debe instalarse a menos de 30' (9,14 m) del panel de lluvia.
- De ser posible, coloque la fuente eléctrica de datos (PDS) a menos de 25' (7,62 m) del controlador del sistema.
- Revise que las tuberías de suministro no estén dañadas. Reemplácelas si es necesario.
- La PDS está diseñada para cableado directo. Asegúrese de que se pueda conectar corriente eléctrica al armario de servicio o a la estructura de maderos de 2x6 con panel de acceso, a no más de 2' (0,61 m) del lugar previsto para la PDS.

Antes de comenzar (cont.)

- Para reducir el riesgo de choque eléctrico, coloque la PDS y el panel de lluvia de instalación al techo cerca uno del otro para permitir que cada cable tenga un lazo de goteo.



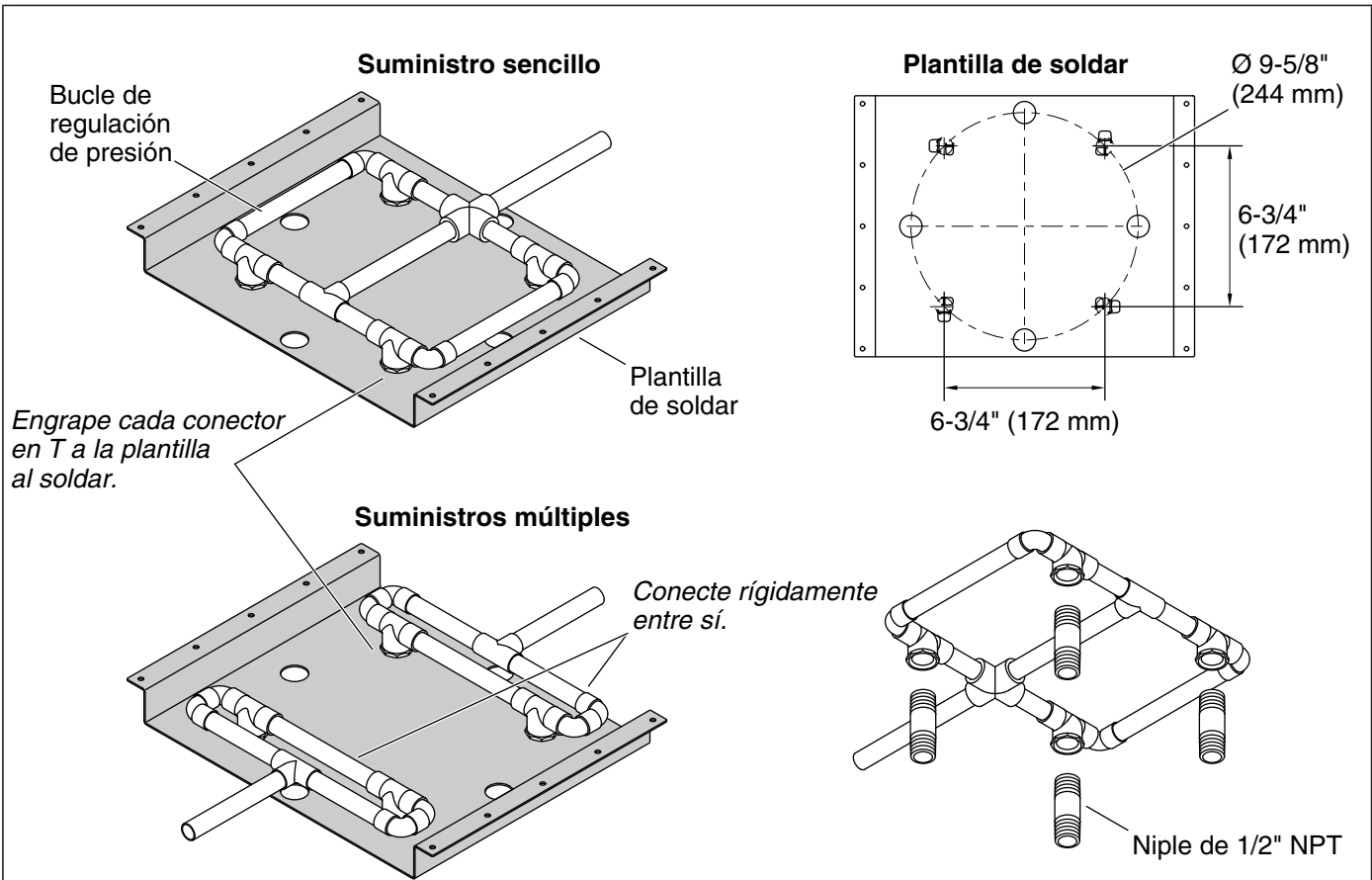
1. Configuración del sistema DTV+

El controlador del sistema K-99695 provee energía a las interfaces y controla el panel de lluvia iluminado y otros componentes del sistema.

- Determine la ubicación de todos los componentes necesarios.
- Tienda el cable para datos de 25' (7,6 m) desde el lugar de instalación de la fuente eléctrica de datos (PDS) hasta el lugar de instalación del controlador. Si la PDS no está a menos de 25' (7,6 m) del controlador, agregue un cable de extensión tipo Ethernet.
- Tienda el cable de energía para cromoterapia de 30' (9,14 m) desde el lugar de instalación de la PDS hasta el lugar de instalación del panel de lluvia.
- Para hacer las conexiones de cables consulte la sección "Conecte los cables".

Antes de usar el sistema por primera vez:

Descargue e instale el software más reciente para los componentes conectados. Completar este proceso puede tomar una hora o más, de acuerdo a la configuración del sistema y a la velocidad de conexión de Internet. **No desconecte el suministro eléctrico de ninguno de los componentes durante la descarga y la instalación del software.**

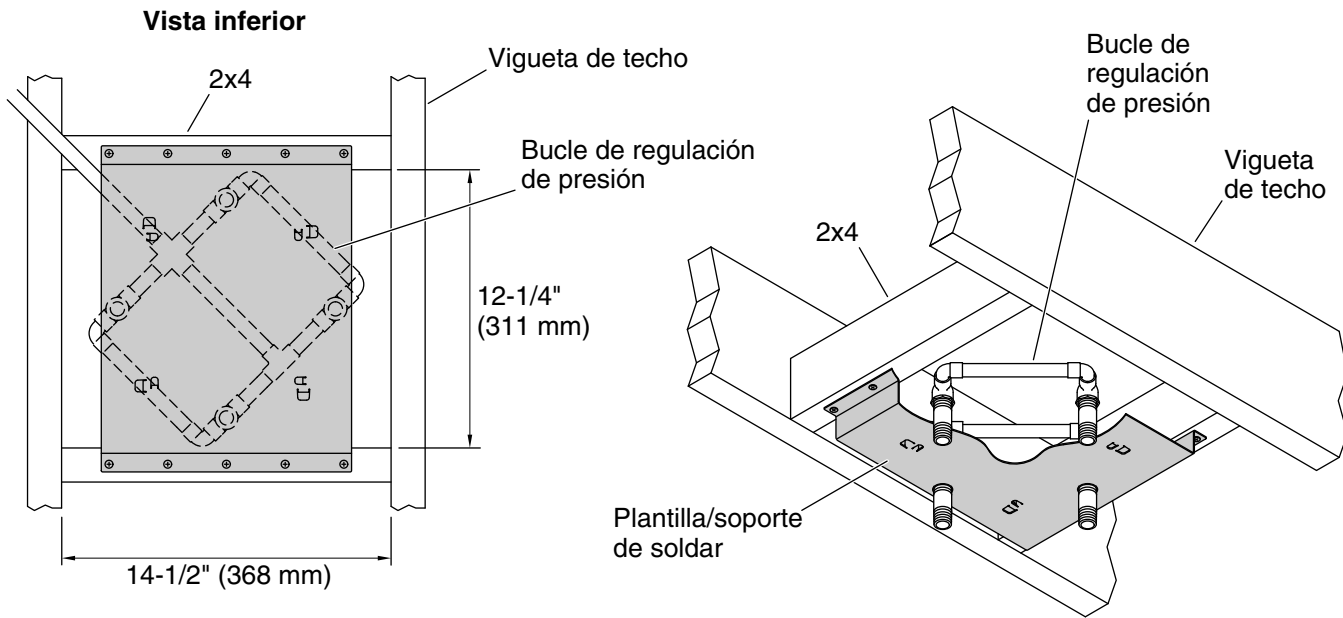


2. Instale la tubería de suministro

- Tienda las líneas de suministro de agua.
- Utilice la plantilla de soldar provista para construir un bucle de regulación de presión.
- Coloque conexiones en T en el bucle o en los bucles sobre cada una de las cuatro ubicaciones elevadas en la plantilla.
- Suelde el montaje mientras está fijo a la plantilla.

¡IMPORTANTE! En el caso de múltiples líneas de suministro: Para mantener la alineación correcta de las conexiones en T con el producto, los bucles de regulación de presión se deben conectar rígidamente uno al otro mientras están en la plantilla de soldar.

- **Múltiples líneas de suministro:** Estando en la plantilla de soldar, conecte rígidamente los dos bucles de regulación de presión uno al otro.
- Retire el bucle de regulación de presión de la plantilla.
- Conecte el bucle de regulación de presión al suministro de agua.
- No coloque abrazaderas en los tubos.
- Instale provisionalmente un niple en cada T. No utilice ningún sellador.



3. Instale la estructura de soporte

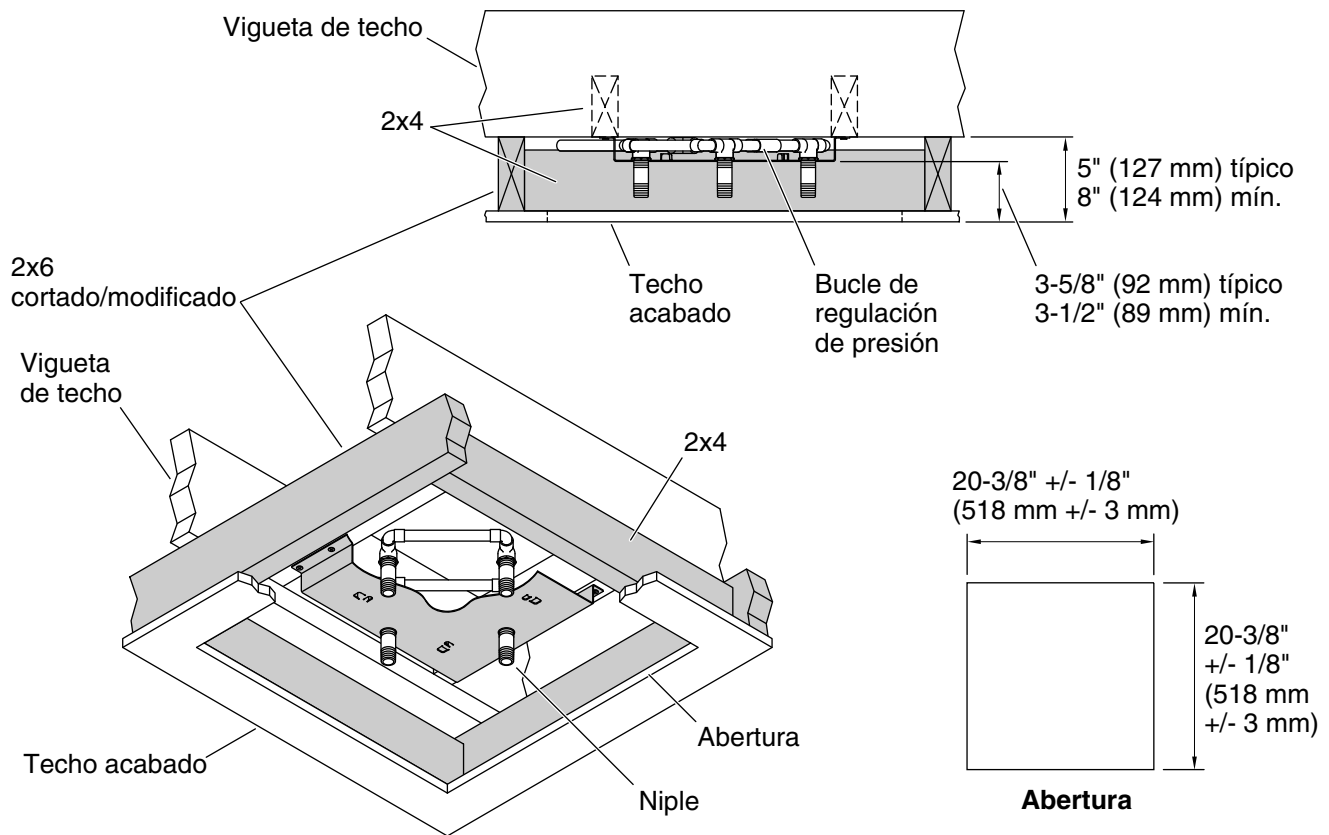


ADVERTENCIA: Riesgo de lesiones personales o de daños a la propiedad. La plantilla/el soporte se debe fijar correctamente para dar soporte al peso del panel de lluvia. Fije el soporte a la estructura con un mínimo de seis tornillos #8 x 1-1/2" largos para paneles de madera.

- Si va a instalar el panel de lluvia en un techo acabado, retire el panel de yeso del lugar de instalación.

¡IMPORTANTE! La plantilla de soldar debe estar bien sujeta a la estructura permanente.

- Fije una superficie de montaje a la estructura fija del techo con tornillos #8 x 1-1/2" largos para panel de yeso.
- Construya la estructura de soporte con maderos de 2x4, tal como se muestra en la ilustración de arriba. La cara de cada madero de 2x4 debe quedar al ras con la cara de las vigas del techo.
- Coloque la plantilla/el soporte de soldar bajo el bucle o los bucles de regulación de presión, como se ilustra. Fije el soporte a la estructura de soporte.
- No coloque abrazaderas en los tubos.



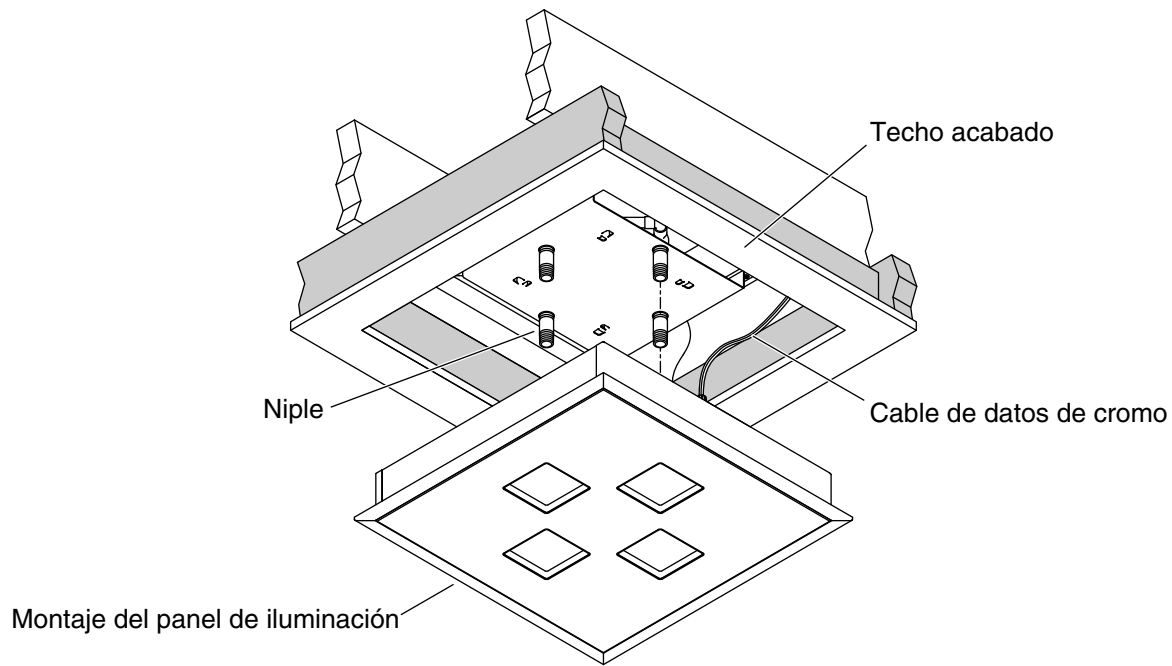
4. Instale el techo acabado

- Construya una estructura de desnivel típica de 5" (127 mm) (que incluye el material del acabado del techo) alrededor del soporte de montaje con maderos de 2x6 cortados/modificados.
- Instale el panel de pared resistente al agua.

¡IMPORTANTE! La abertura en el techo debe ser menor a los límites de dimensión especificados arriba. El sello no cubre separaciones mayores de 1/4" (6 mm).

¡IMPORTANTE! El bucle o los bucles de regulación deben quedar centrados a menos de 1/8" (3 mm) de los niples separados de manera uniforme desde los bordes de la abertura de instalación.

- Recorte un cuadrado de 20-3/8" (518 mm) en el lugar de instalación. El cuadrado debe ser 1/8" (3 mm) menor que las dimensiones especificadas para la abertura para asegurar que el marco del panel de iluminación cubra los cortes ásperos una vez que quede instalado.
- Instale el material de acabado del techo (si utiliza azulejo).
- Verifique que la estructura de desnivel acabada quede entre 3-1/2" (89 mm) y 3-3/4" (95 mm) a partir de la parte inferior del soporte.



5. Instale los niples de tubería y el panel de iluminación

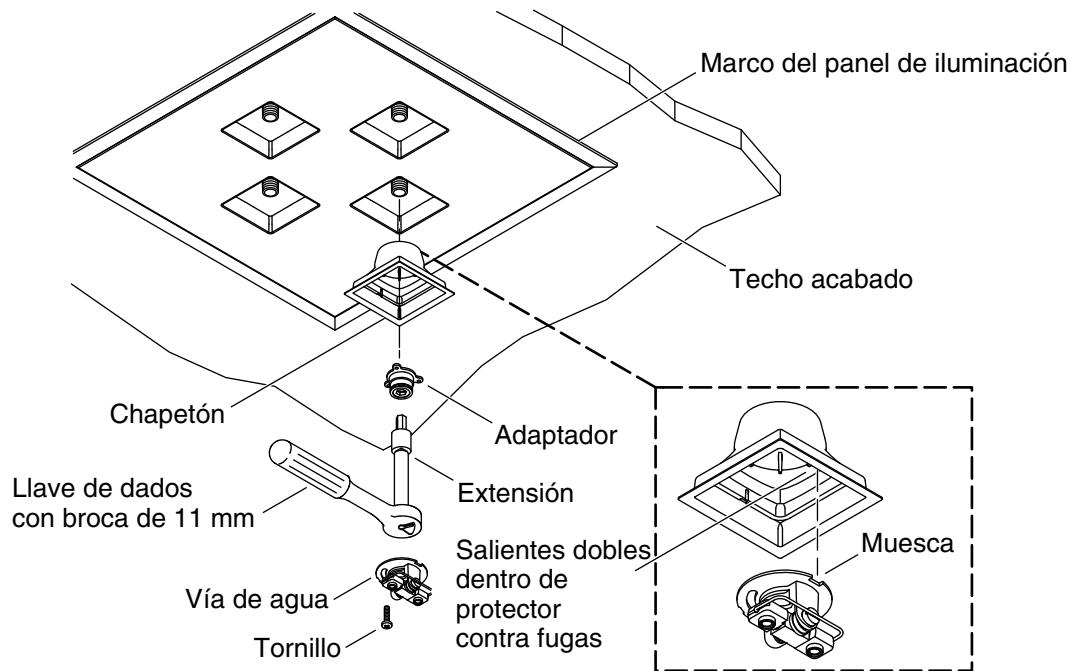


PRECAUCIÓN: Riesgo de lesiones personales. Si el panel de lluvia no se fija con seguridad en su lugar durante la instalación, el producto podría caerse. Pida ayuda para instalar el montaje del panel de iluminación y las vías de agua.

- Retire los niples.
- Aplique sellador de roscas a las roscas del niple.
- Vuelva a instalar los niples a las Tes/codos.
- Deje correr agua a través del sistema para eliminar la suciedad y los residuos.

¡IMPORTANTE! Los pasos siguientes requieren dos personas.

- Levante el panel de iluminación al lugar de instalación y conecte el cable eléctrico de cromo, tendido previamente, al montaje del panel de iluminación.
- Inserte el panel de iluminación en la abertura no acabada del techo acabado y sostenga en su lugar. El panel de iluminación requiere soporte hasta fijarlo al instalar los adaptadores.



6. Instale la vía de agua



PRECAUCIÓN: Riesgo de lesiones personales. Si el panel de lluvia no se fija con seguridad en su lugar durante la instalación, el producto podría caerse. Pida ayuda para instalar el montaje del panel de iluminación y las vías de agua.

¡IMPORTANTE! Los pasos siguientes requieren dos personas.

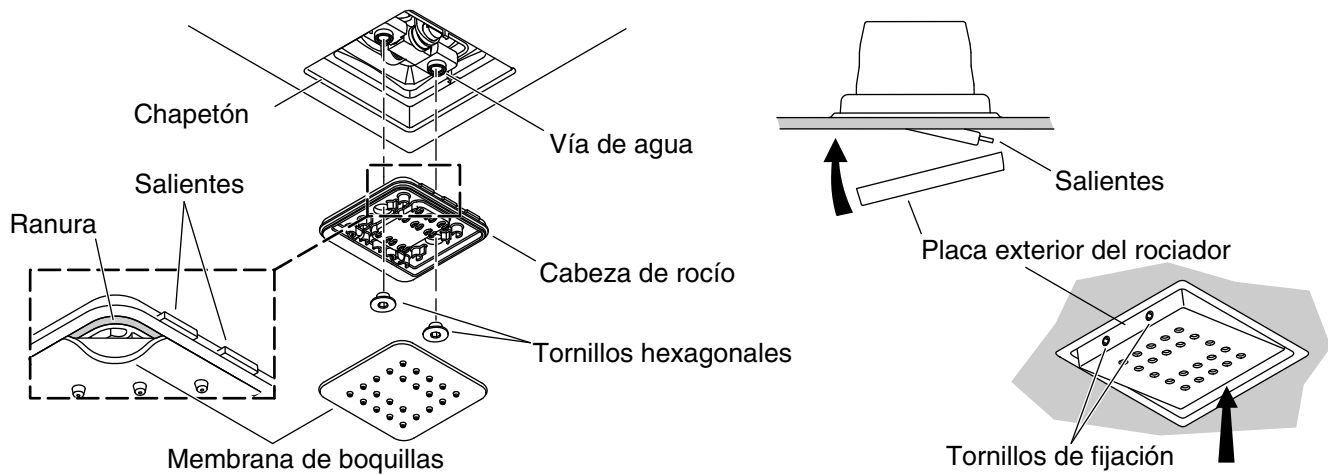
- Inserte un chapetón en una de las cuatro aberturas del panel iluminación. Oriente las salientes dobles del chapetón hacia el centro del panel.
- Mientras otra persona sostiene el panel de luz en la abertura de instalación, enrosque un adaptador al niple.
- Mientras la otra persona continúa sosteniendo el panel, instale los tres chapetones y adaptadores restantes para colgar la unidad.
- Suelte el panel una vez que haya instalado los cuatro adaptadores. En este momento el panel todavía no está ajustado al techo.

¡IMPORTANTE! Fije los adaptadores lo suficiente para crear un sello hermético al agua en las roscas de los tubos.

- Fije cada adaptador con la broca de 11 mm (provista) con la extensión de dado de 11 mm o 7/16" y la llave de dados. Utilice cinta de enmascarar para retener la broca en su lugar con el fin de evitar que ésta se caiga y causar daño a la ducha. El panel de iluminación aún estará suelto contra el techo.
- Instale la vía de agua alineando la muesca de la vía de agua con la saliente doble del interior del protector contra fugas.
- Presione la vía de agua en su lugar sobre el adaptador. Fije la vía de agua al adaptador con los tornillos provistos. Aún no apriete completamente.
- Repita el procedimiento con las otras vías de agua.
- Apriete los tornillos uniformemente hasta que el marco exterior del panel esté contra el techo y el empaque de sellado quede comprimido.

Instale la vía de agua (cont.)

¡IMPORTANTE! Si el marco del panel de iluminación no hace contacto con el techo dentro de 1/32" (1 mm), el niple está demasiado largo. Verifique la profundidad de instalación. Trate de girar más el adaptador roscado, o utilice un niple más corto.



7. Instale la guarnición

Instale la cabeza de rocío

- Con la llave hexagonal de 5/32", fije la cabeza de rocío a la vía de agua con los dos tornillos hexagonales. No apriete demasiado.
- Revise que la cabeza de rocío quede encuadrada en el chapetón y que se pueda inclinar sin dificultad hacia arriba y hacia abajo.
- Coloque la membrana de boquillas sobre la cabeza de rocío, y asegúrese de que el borde largo de la membrana quede alineado con las salientes.

NOTA: Para que el funcionamiento sea óptimo, asegúrese de que la membrana de boquillas quede aplicada pareja.

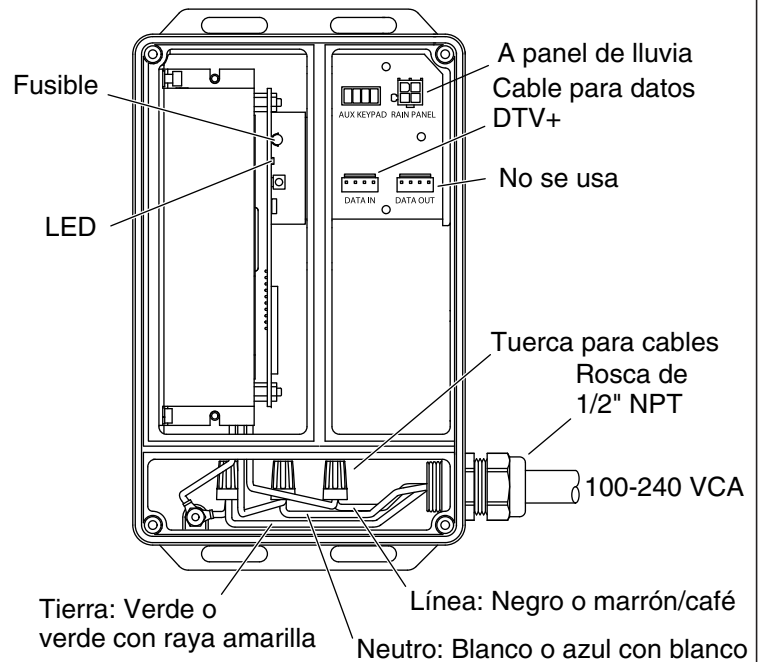
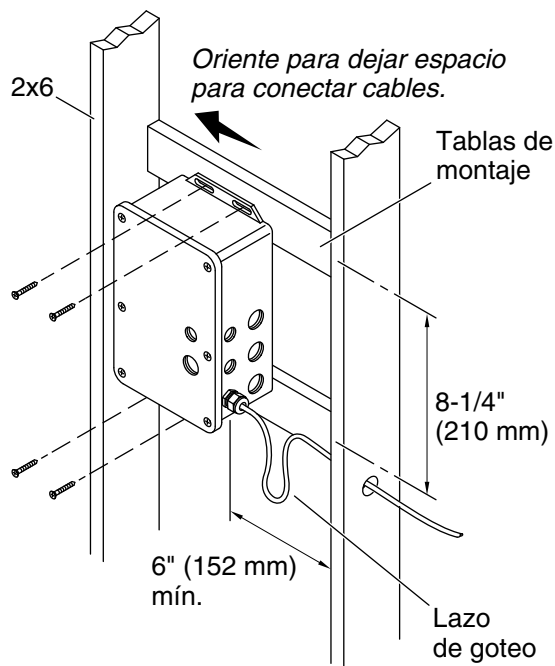
- Con presión uniforme al sello de la membrana, introdúzcalo en la ranura de la cabeza de rocío.
- Repita el procedimiento en las cabezas de rociador restantes.

Fije la placa exterior del rociador

- Incline la cabeza de rocío para dejar expuestas las salientes.
- Coloque las ranuras de la placa exterior del rociador sobre las salientes de bisagra, luego gire el extremo suelto de la placa exterior del rociador hacia arriba como se ilustra.
- Presione la placa exterior del rociador en su lugar para cubrir la cabeza de rocío.
- Incline el montaje de la cabeza de rocío para dejar expuestos los orificios para los tornillos de fijación.

¡IMPORTANTE! Para evitar daños al producto, los tornillos de fijación no deben sobresalir más allá de la placa exterior del rociador.

- Con una llave hexagonal de 5/64", gire hacia la izquierda los tornillos de fijación hasta que queden al ras con el borde de la placa exterior del rociador.
- Repita el procedimiento con las otras placas exteriores de rociador.



8. Instale la fuente de alimentación eléctrica para datos

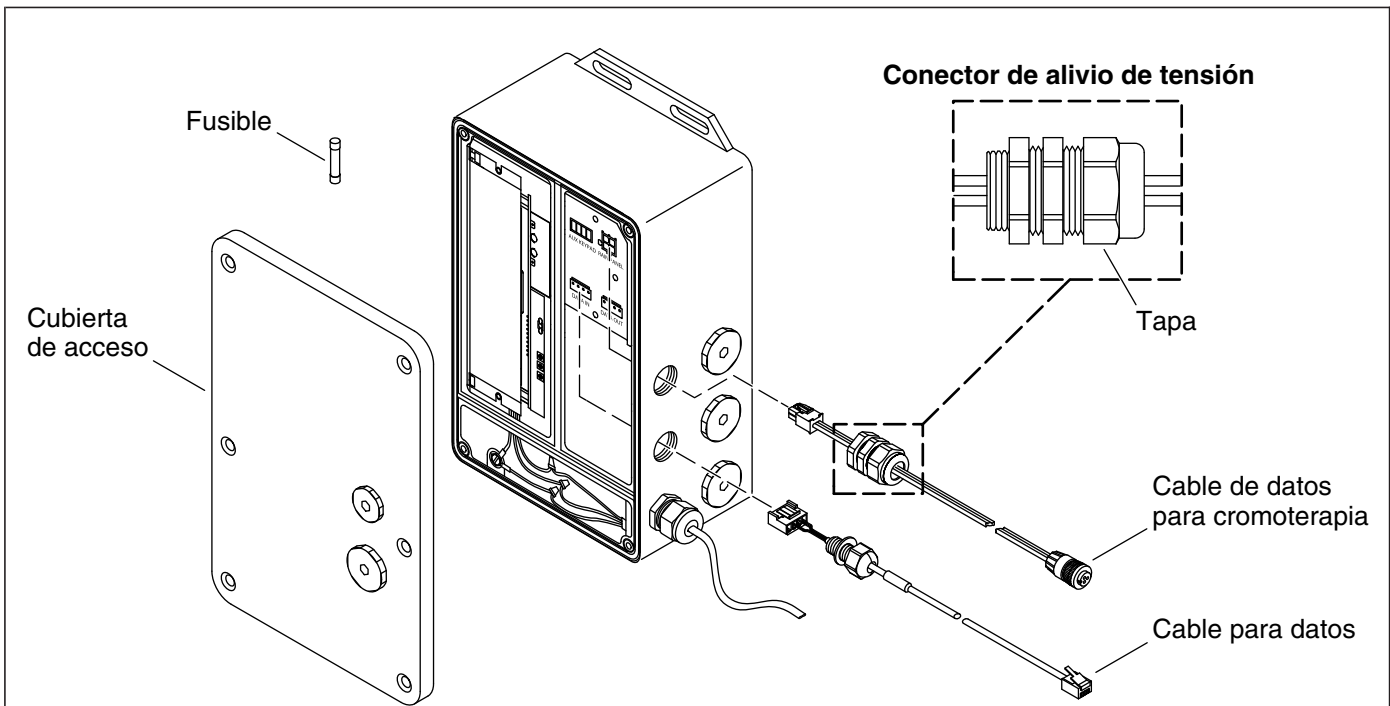


PELIGRO: Riesgo de electrocución. Desconecte la corriente eléctrica al área de trabajo en el panel principal de interruptores antes de realizar los pasos de instalación para el cableado directo.

- La PDS está diseñada para que quepa en un armario de servicio o en una cavidad de postes de madera de 2x6 con panel de acceso. La PDS debe estar a menos de 25' (7,62 m) del panel de lluvia iluminado.
- Instale refuerzos adecuados para montar la PDS.
- Tienda los cables eléctricos al armario de servicio o a la estructura de postes de madera de 2x6, a menos de 24" (610 mm) de la PDS. Verifique que el cableado eléctrico esté en una posición que alcance la PDS donde puedan hacerse las conexiones eléctricas, y deje suficiente cable para crear un lazo de goteo.
- Oriente la caja de la PDS dentro del armario de servicio o de la cavidad formada por postes de madera de manera que haya espacio para quitar la tapa y conectar los cables. Si es posible, conecte los cables a través de los orificios laterales en vez de los orificios de la tapa para facilitar quitar la tapa al dar servicio.
- Fije la PDS a la estructura de madera o a otra superficie fija con tornillos estándar para paneles de yeso o para madera (no se incluyen). Es posible que sea necesario instalar tablas de montaje entre los postes de madera de la estructura.

Haga las conexiones de cableado

- Retire la tapa de la PDS.
- Pase el cable eléctrico a través del orificio de 1/2" NPT dentro de la cámara de conexiones eléctricas de la PDS.
- Con las tuercas para cable, conecte los cables de Línea (negro o marrón), Neutro (blanco o azul con blanco), y Tierra (verde o verde con raya amarilla).
- Cumpla con los códigos eléctricos para doblar cables internos, y con cuidado meta los cables en el alojamiento de la PDS. Asegúrese de que los cables no se pellizcarán cuando vuelva a instalar la tapa de la PDS.



9. Conecte los cables

¡IMPORTANTE! Si es posible, conecte los cables a través de los orificios laterales de la PDS, en lugar de los orificios de la tapa para poder desinstalar fácilmente la tapa al dar servicio.

NOTA: Forme lazos de goteo en todos los cables y cordones.

- Prepare los extremos del cable para la instalación al PDS enroscando una tapa de alivio de tensión y separando el obturador de goma del cuerpo roscado. Esto evitará que los cables se tuerquen mientras el alivio de tensión se enrosque en la caja.
- Inserte el cable eléctrico de cromo en un orificio de 1/2" NPT e instale en el conector identificado como "RAIN PANEL" (Panel de lluvia) hasta que encajen juntos.
- Introduzca el cable para datos por un orificio de 1/2" NPT y métalo en el conector identificado como "DATA IN" (entrada de datos) hasta que encaje.
- Fije los cables y el alambre eléctrico a la PDS utilizando los conectores de alivio de tensión herméticos al agua. Enrosque el conector en la caja, luego deslice el obturador de goma en el conector. Apriete la tapa para crear un sello.

¡IMPORTANTE! Verifique que todos los orificios que no se utilicen de la caja PDS tengan tapones.

- Verifique que los cables estén dentro del alojamiento de la PDS y que no se pellizquen al fijar la tapa de acceso.
- Vuelva a instalar la tapa de acceso. No apriete demasiado.

Termine la instalación

- Si todavía no lo ha instalado, instale el controlador del sistema K-99695 de acuerdo a las instrucciones adjuntas al producto.
- Conecte el cable para datos en uno de los 8 puertos para componentes agrupados en el controlador. Consulte la sección "Configuración del sistema DTV+".
- Para obtener información acerca de la configuración y el funcionamiento del sistema, consulte la guía en la página del producto controlador en www.us.kohler.com.

Antes de usar el sistema por primera vez:

Conecte los cables (cont.)

Descargue e instale el software más reciente para los componentes conectados. Completar este proceso puede tomar una hora o más, de acuerdo a la configuración del sistema y a la velocidad de conexión de Internet. **No desconecte el suministro eléctrico de ninguno de los componentes durante la descarga y la instalación del software.**

Cuidado y limpieza

Para obtener los mejores resultados, tenga presente lo siguiente al limpiar su producto KOHLER:

- Para la limpieza utilice solamente un detergente suave, como líquido para lavar la vajilla y agua tibia. No utilice limpiadores abrasivos que puedan rayar u opacar la superficie.
- Lea atentamente la etiqueta del producto de limpieza para asegurar que no presente riesgos al usarse en el material.
- Siempre pruebe la solución de limpieza en un área oculta antes de aplicarla a toda la superficie.
- No deje los limpiadores durante tiempo prolongado en la superficie.
- Limpie con un trapo y enjuague completa e inmediatamente con agua después de aplicar limpiadores. Enjuague y seque las superficies cercanas que hayan sido rociadas.
- Utilice una esponja o un trapo suave y húmedo. Para limpiar las superficies, nunca utilice materiales abrasivos como cepillos o estropajos de tallar.

Para obtener información detallada de limpieza y de limpiadores a considerar, visite www.kohler.com/clean. Para solicitar información sobre el cuidado y la limpieza, llame al 1-800-456-4537.

Guía para resolver problemas

¡**IMPORTANTE!** Apague la fuente de alimentación eléctrica antes de dar mantenimiento.

NOTA: Para resolver problemas del sistema DTV+, consulte la guía en la página del producto controlador K-99695 en www.us.kohler.com.

NOTA: Para consultar información sobre piezas de repuesto, visite la página de su producto en www.kohler.com/serviceparts.

Esta guía para resolver problemas está diseñada únicamente como ayuda general. Si tiene preguntas con respecto al servicio o a la instalación, llame al 1-800-4-KOHLER.

Tabla para resolver problemas

Síntomas	Causa probable	Acción recomendada
1. El panel de lluvia no aparece en la interface de usuario.	<p>A. La fuente eléctrica de datos (PDS) no tiene alimentación eléctrica.</p> <p>B. La conexión del cable para datos al controlador está suelta o dañada.</p> <p>C. El fusible de la fuente eléctrica de datos (PDS) está fundido.</p> <p>D. El controlador no asigna una dirección a la PDS.</p> <p>E. Falla de la fuente eléctrica de datos (PDS).</p>	<p>A. Apague la energía eléctrica a la PDS y retire la tapa de acceso. Si la luz LED no está iluminada, es posible que el interruptor de circuito se haya disparado. Restablezca (reset) el interruptor de circuito. Si la luz LED sigue sin iluminarse, verifique las conexiones de cableado.</p> <p>B. Revise la conexión del cable, y cambie el cable si es necesario.</p> <p>C. Reemplace el fusible de la PDS.</p> <p>D. Consulte al representante de servicio autorizado de Kohler Co.</p> <p>E. Consulte al representante de servicio autorizado de Kohler Co.</p>

Guía para resolver problemas (cont.)

Tabla para resolver problemas

Síntomas	Causa probable	Acción recomendada
2. El panel de lluvia aparece en la interface de usuario pero no puede ser seleccionado.	A. El cable de energía para cromoterapia está suelta o dañada. B. Falla de la fuente eléctrica de datos (PDS) o del panel de lluvia iluminado	A. Revise la conexión del cable, y cambie el cable si es necesario. B. Consulte al representante de servicio autorizado de Kohler Co.
3. No se pueden retirar los cables de la caja de la PDS.	A. Los cables se tuercen al desenroscar las conexiones de alivio de tensión.	A. Desenrosque la tapa de alivio de tensión solamente, luego separe el obturador de goma del cuerpo del alivio de tensión. El cuerpo del alivio de tensión queda libre para desenroscarlo de la caja de la PDS.
4. Se fuga agua alrededor de las cabezas de rocío.	A. La membrana de boquillas no está correctamente asentada.	A. Retire la placa exterior del rociador acabada y verifique que la membrana de boquillas esté completamente asentada en la ranura de la cabeza de rocío. Consulte la sección "Instale la guarnición".

Garantía

Griferías electrónicas, válvulas y controles KOHLER® GARANTÍA LIMITADA DE CINCO AÑOS

Kohler Co. garantiza las griferías, las válvulas y los controles electrónicos contra defectos de material y mano de obra durante el uso normal residencial, durante cinco años a partir de la fecha de instalación del producto. Esta garantía se aplica solamente a la grifería, las válvulas y los controles electrónicos instalados en Estados Unidos de América, Canadá y México ("Norteamérica").

Si se encuentra un defecto durante el uso residencial normal, Kohler Co., a su criterio, reparará, proveerá una pieza de repuesto o producto, o realizará los ajustes pertinentes en los casos en que la inspección realizada por Kohler Co. determine dicho defecto. Esta garantía no cubre daños causados por accidente, abuso o uso indebido. El cuidado y la limpieza indebidos anularán la garantía*. Al presentar las reclamaciones de garantía a Kohler Co., es necesario incluir el comprobante de compra (recibo de venta original). Kohler Co. no se hace responsable de costos de mano de obra, instalación u otros costos incidentales o indirectos, aparte de los mencionados arriba. En ningún caso la responsabilidad de Kohler Co. excederá el precio de compra de la grifería, la válvula o el control.

Si las griferías, las válvulas o los controles electrónicos se utilizan comercialmente o si se instalan fuera del territorio de Norteamérica, Kohler Co. garantiza que la grifería, la válvula o el control está libre de defectos de material y mano de obra durante un (1) año, a partir de la fecha de instalación, estando en efecto todas las demás condiciones de esta garantía, excepto la duración.

Si usted considera que tiene una reclamación en virtud de la garantía, comuníquese con su centro de remodelación, distribuidor, contratista de plomería o distribuidor por Internet. Asegúrese de proporcionar toda la información pertinente a su reclamación, incluida una descripción completa del problema, el producto, el número de modelo, la fecha de compra del producto, el lugar de compra del producto, y la fecha de instalación. También incluya el recibo original. Para información adicional, o para obtener el nombre y dirección del lugar de reparación y servicio más cercano a usted, escriba a Kohler Co., Attn: Customer Care Center, Kohler, Wisconsin 53044 USA, o llame al 1-800-4-KOHLER (1-800-456-4537) desde los EE.UU. y Canadá, y al 001-800-456-4537 desde México, o visite www.kohler.com desde los EE.UU., www.ca.kohler.com desde Canadá, o www.mx.kohler.com en México.

LAS GARANTÍAS ANTERIORMENTE MENCIONADAS SUSTITUYEN A TODAS LAS DEMÁS GARANTÍAS, EXPRESAS O IMPLÍCITAS, INCLUIDAS, ENTRE OTRAS, LAS GARANTÍAS

Garantía (cont.)

IMPLÍCITAS DE COMERCIALIZACIÓN E IDONEIDAD PARA UN USO DETERMINADO.

KOHLER CO. Y/O EL VENDEDOR DESCARGAN TODA RESPONSABILIDAD POR CONCEPTO DE DAÑOS PARTICULARES, INCIDENTALES O INDIRECTOS. Algunos estados/provincias no permiten limitaciones en cuanto a la duración de una garantía implícita o a la exclusión o limitación de dichos daños, por lo que es posible que estas limitaciones y exclusiones no se apliquen a su caso. Esta garantía otorga al consumidor ciertos derechos legales específicos. Además, usted puede tener otros derechos que varían de estado a estado y de provincia a provincia. Esta garantía está destinada únicamente para el comprador consumidor original y excluye todo daño al producto como resultado de errores de instalación, abuso del producto o uso indebido del mismo, bien sea por parte de un contratista, de una compañía de servicios o del consumidor mismo.

Esta es la garantía exclusiva por escrito de Kohler Co.

*Nunca utilice limpiadores que contengan limpiadores abrasivos, amoníaco, blanqueador, ácidos, ceras, alcohol, disolventes u otros productos no recomendados para el cromo. Esto anulará la garantía.

USA/Canada: 1-800-4KOHLER

México: 001-800-456-4537

kohler.com

THE BOLD LOOK
OF **KOHLER**®

©2014 Kohler Co.

1235394-2-A