



Features

- Metal construction
- 1/2"-14 NPT thread both ends
- Wall-mount flange

Codes/Standards Applicable

Specified model meets or exceeds the following:

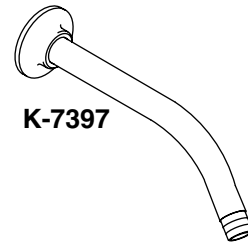
- ASME A112.18.1
- IAPMO/UPC

SHOWER ARM AND FLANGE

K-7395
ALSO K-7397



K-7395



K-7397

Colors/Finishes

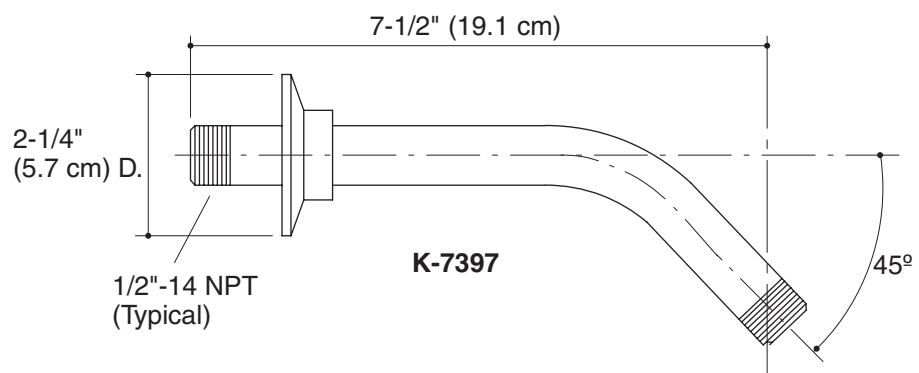
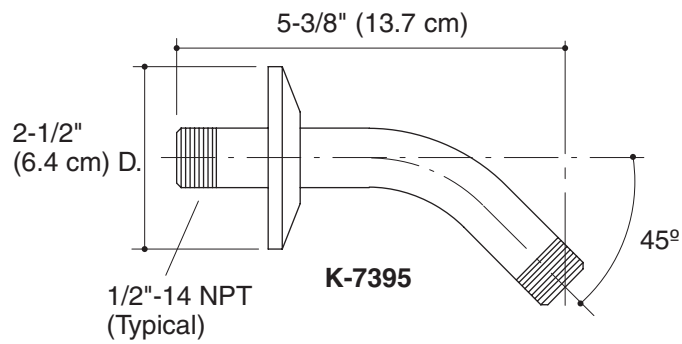
- CP: Polished Chrome
- PB: Vibrant® Polished Brass
- Other: Refer to Price Book for additional colors/finishes

Specified Model

Model	Description	Colors/Finishes		
K-7395	Shower arm and flange - 5-3/8" (13.7 cm)	<input type="checkbox"/> CP	<input type="checkbox"/> PB	
K-7397	Shower arm and flange - 7-1/2" (19.1 cm)	<input type="checkbox"/> CP	<input type="checkbox"/> PB	<input type="checkbox"/> Other_____

Product Specification

Shower arm and flange shall be of metal construction. Product shall have 1/2"-14 NPT thread both ends. Product shall have wall-mount flange. Shower arm shall be Kohler Model K-_____-_____.



Product Diagram