

KOBE® **KOBE Brand Range Hood**

**Model No. / Modelo No. / Nos de modèles. IN2636SQB-1200
IN2642SQB-1200
IN2648SQB-1200**

PREMIUM SERIES IN-026 SERIES



**INSTALLATION INSTRUCTIONS
AND OPERATION MANUAL**

**MANUEL D'INSTALLATION
ET MODE D'EMPLOI**

**INSTRUCCIONES DE INSTALACIÓN
Y MANUAL DE OPERACIÓN**

[ENGLISH].....	1
[SPANISH].....	23
[FRENCH]	48

IMPORTANT READ THIS FIRST

READ BEFORE INSTALLATION

1. Carefully check all contents of packages;
2. Thoroughly inspect the unit for any cosmetic damages or defects;
3. Test the unit before installation;
4. Have a certified contractor/electrician do the installation.

IF THERE IS ANY PROBLEM:

1. **DO NOT INSTALL THE UNIT AND KEEP ALL ORIGINAL PACKAGING MATERIAL.**
2. Have your original proof of purchase and product serial number ready.
3. Call 1-877-BUY-KOBE (289-5623); or e-mail to info@koberangehoods.com to report the problem.

NO RETURN, NO REFUND, NO EXCHANGE IF:

1. PRODUCT HAS BEEN INSTALLED
2. KNOCK-OUT HOLES HAVE BEEN PUNCTURED
3. MISSING ORIGINAL PACKAGING MATERIAL AND/OR PARTS

[ENGLISH]

- READ AND SAVE THESE INSTRUCTIONS -

CONTENTS

IMPORTANT SAFETY INSTRUCTIONS.....	1
COMPONENTS OF PACKAGE	3
INSTALLATION	4
OPERATING INSTRUCTIONS	7
SPECIFICATIONS	12
MEASUREMENTS & DIAGRAMS.....	13
PARTS LIST	16
CIRCUIT DIAGRAM.....	18
TROUBLE SHOOTING	19
WARRANTY	20
WARRANTY INFORMATION FORM	22

- READ ALL INSTRUCTIONS CAREFULLY BEFORE STARTING -

ALL WIRING MUST BE DONE BY A PROFESSIONAL AND IN ACCORDANCE WITH NATIONAL AND LOCAL ELECTRICAL CODES



IMPORTANT SAFETY INSTRUCTIONS

- PLEASE READ THIS SECTION CAREFULLY BEFORE INSTALLATION -

⚠WARNING: TO REDUCE THE RISK OF FIRE, ELECTRIC SHOCK OR PERSONAL INJURY, OBSERVE THE FOLLOWING:

- 1) Installation and electrical wiring must be done by qualified professionals and in accordance with all applicable codes and standards, including fire-rated construction.
- 2) When cutting or drilling into wall or ceiling, be careful not to damage electrical wiring or other hidden utilities.
- 3) Ducted fans must be vented to the outside.
 - a) Before servicing or cleaning unit, open the light panel and SWITCH POWER OFF AT SERVICE PANEL.
 - b) Clean all grease laden surfaces frequently. To reduce the risk of fire and disperse air properly, make sure to vent air outside. DO NOT vent exhaust air into wall spaces, attics, crawl spaces or garages.

NOTE - This warranty is void without an authorized agent's receipt or if unit is damaged due to misuse, poor installation, improper use, mistreatment, negligence or any other circumstances beyond the control of KOBE RANGE HOODS authorized agents. Any repair carried out without the supervision of KOBE RANGE HOODS authorized agents will automatically void the warranty.

- KOBE RANGE HOODS will not be held responsible for any damages to personal property or real estate or any bodily injuries whether caused directly or indirectly by the range hood.

⚠WARNING: TO REDUCE THE RISK OF PERSONAL INJURY IN THE EVENT OF A RANGE TOP GREASE FIRE:

1. Keep all fan, baffle/spacer/filter/oil tunnel/oil container and grease-laden surfaces clean. Grease should not be allowed to accumulate on fan, baffle/spacer/filter/oil tunnel/oil container.
2. Always turn hood ON when cooking.
3. Use high settings on cooking range ONLY when necessary.
4. Do not leave cooking range unattended when cooking.
5. Always use cookware and utensils appropriate for the type and amount of food prepared.
6. Use this unit only in the manner intended by the manufacturer.
7. Before servicing, switch power off at service panel and lock service panel (if possible) to prevent power from switching on accidentally.
8. Clean ventilating fan frequently.

What to Do In The Event Of a Range Top Grease Fire

- SMOTHER FLAMES with a tight fitting lid, cookie sheet, or metal tray, and then turn off the burner. KEEP FLAMMABLE OR COMBUSTIBLE MATERIAL AWAY FROM FLAMES. If the flames do not go out immediately, EVACUATE THE AREA AND CALL THE FIRE DEPARTMENT or 911.
- NEVER PICK UP A BURNING PAN – You May Get Burned.
- DO NOT USE WATER, including wet dishcloths or towels – a steam blast will result.
- Use an extinguisher ONLY if:
 - a) You have a Class A, B, C extinguisher and know how to operate it.
 - b) The fire is small and contained in the area where it started.
 - c) The fire department has been called.
 - d) You can fight the fire with your back to an exit.

What to Do If You Smell Gas

- Extinguish any open flame.
- Do not try to turn on the lights or any type of appliance.
- Open all doors and windows to disperse the gas. If you still smell gas, call the Gas Company and Fire Department right away.

⚠ CAUTION

1. For general ventilation use only. Do not use to exhaust hazardous or explosive materials and vapors.
2. To reduce the risk of fire, use metal ductwork only. Sufficient air is needed for proper combustion and exhaustion of gases through the flue (chimney) to prevent back drafting.
3. Follow the heating equipment manufacturer's guideline and safety standards such as those published by the National Fire Protection Association (NFPA), and the American Society for Heating, Refrigeration and Air Conditioning Engineers (ASHRAE), and code authorities.
4. Activating any switch may cause ignition or an explosion.
5. Due to the size and weight of this hood, installation by 2 persons is recommended.

⚠ WARNING



ELECTRICAL SHOCK HAZARD – Can result in serious injury or death. Disconnect appliance from electric power before servicing. If equipped, the fluorescent light bulb contains small amounts of mercury, which must be recycled or disposed of according to Local, State, and Federal Codes.

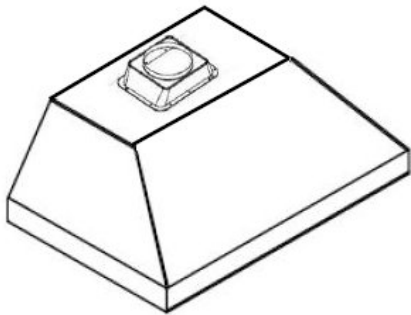
COMPONENTS OF PACKAGE

(Must keep all material for returns or refunds)

Range Hood Box

- {A} KOBE Range Hood
- {B} Warranty Registration Card
- {C} Instruction Manual (CD)
- {D} Baffle Filter – 2 (36”), 3 (42”, 48”)
- {E} Oil Tunnel – 1
- {F} Stainless Steel Spacer – 2 (For 36” or 48” Only)
- {G} Remote Control – 1

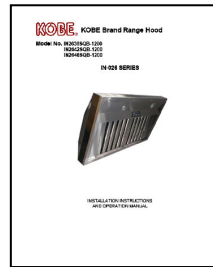
{A}



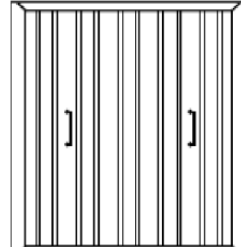
{B}

WARRANTY REGISTRATION CARD	
MODEL NO. _____	DATE OF PURCHASE _____
NAME _____	ADDRESS _____
CITY _____	STATE _____ ZIP CODE _____
PHONE _____	EMAIL _____
PLEASE PRINT CLEARLY AND LEGIBLY. THIS CARD IS VALID ONLY IF ATTACHED TO THE ORIGINAL SALES RECEIPT.	
KOBE RANGE HOODS	
THE WARRANTY PERIOD IS LIMITED TO THE PERIOD INDICATED IN THE ORIGINAL SALES RECEIPT.	
WARRANTY PERIOD _____	DATE OF REGISTRATION _____
NAME _____	ADDRESS _____
CITY _____	STATE _____ ZIP CODE _____
PHONE _____	EMAIL _____
IF YOU HAVE ANY QUESTIONS, PLEASE CONTACT OUR CUSTOMER SERVICE AT (626) 775-8880.	
www.koberangehoods.com	

{C}



{D}



{E}



{F}



{G}



(AAA Batteries not included.)

- FOR MORE INFORMATION, PLEASE VISIT OUR WEBSITE www.KOBERangeHoods.com OR CONTACT KOBE RANGE HOODS AT (626) 775-8880.

INSTALLATION

PLEASE READ ENTIRE INSTRUCTIONS BEFORE PROCEEDING

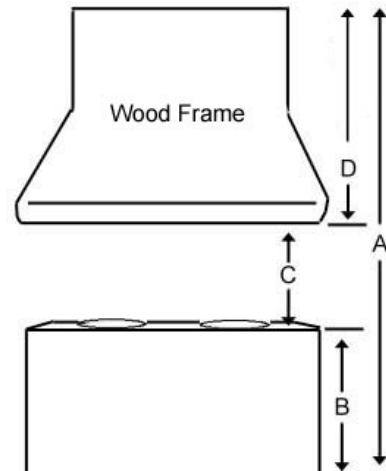
Calculation Before Installation

To calculate installation, please refer to TABLE 1. (All calculation in inches.)

- FOR UNDER THE CABINET -

TABLE 1

- A = Height of Floor to Ceiling
- B = Height of Floor to Counter Top
(Standard: 36")
- C = Height of Counter Top to Wood Frame Bottom
(Minimum 27" to 30")**
- D = Height of Wood Frame



SAFETY WARNING

HOOD MAY HAVE VERY SHARP EDGES; PLEASE WEAR PROTECTIVE GLOVES IF REMOVING ANY PARTS FOR INSTALLING, CLEANING OR SERVICING.

NOTE: BE CAREFUL WHEN USING ELECTRICAL SCREWDRIVER, DAMAGE TO THE HOOD MAY OCCUR.

Preparation Before Installation

NOTE: TO AVOID DAMAGE TO YOUR HOOD, PREVENT DEBRIS FROM ENTERING THE VENT OPENING.

- Decide the location of the venting pipe from the hood to the outside. Refer to Figure 1.
- A straight, short vent run will allow the hood to perform more efficiently.
- Try to avoid as many transitions, elbows, and long run as possible. This may reduce the performance of the hood.
- Temporarily wire the hood to test for proper operation before installing.
- **Important: Peel protective film off the hood, if any.**
- Use duct tape to seal joints between pipe sections.

CAUTION: If moving the cooking range is necessary to install the hood, turn off the power in an electric range at the main electrical box. **SHUT OFF THE GAS BEFORE MOVING A GAS RANGE.** And use a protective covering to protect cooktop and/or countertop from damage.

Custom Hood Preparation

1. The custom hood frame must be designed based on the shape and the weight of the hood. Refer to Measurements and Diagrams of hood on Page 13-15.
2. A sturdy base (3/4 inch thick plywood recommended) is needed to sustain the weight of hood.
3. It is recommended to install front & rear stud support (not included). Refer to Figure 2. For safety purposes, extra installation holes on the side of the hood are provided. Prepare the side stud support if needed.
4. Determine and mark the centerlines on the base of the wood frame where the hood will be installed.
5. Determine the proper location for the Power Supply Cable. Make a wiring access hole using a drill bit. Install the wire cable and seal the gap around hole.
6. Cut out the opening where the hood will be installed. (Refer to Figure 3 for appropriate dimensions based on width of hood.)

Wiring to Power Supply

CAUTION: If moving the cooking range is necessary to install the hood, turn off the power in an electric range at the main electrical box. **SHUT OFF THE GAS BEFORE MOVING A GAS RANGE. RISK OF ELECTRICAL SHOCK.**

THIS RANGE HOOD MUST BE PROPERLY GROUNDED. MAKE SURE THIS IS DONE BY QUALIFIED ELECTRICIAN IN ACCORDANCE WITH ALL APPLICABLE NATIONAL AND LOCAL ELECTRICAL CODES. BEFORE CONNECTING WIRES, SWITCH POWER OFF AT SERVICE PANEL AND LOCK SERVICE PANEL TO PREVENT POWER FROM BEING SWITCHED ON ACCIDENTALLY.

7. Temporarily wire the hood to test for proper operation before installing. If the hood does not operate, check the circuit breaker or house fuse. If the hood is still not working, disconnect power supply and check the continuity of all wire connections.
8. If hood is operating normally, connect three wires (black, white

Figure 1

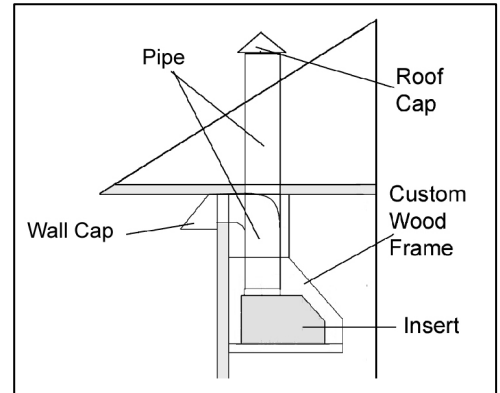


Figure 2

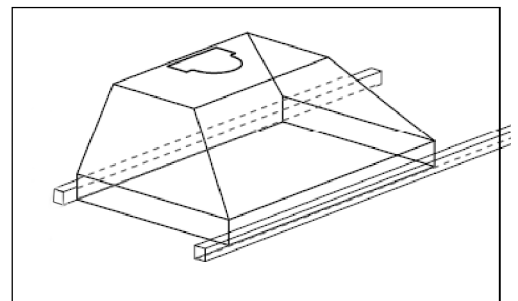
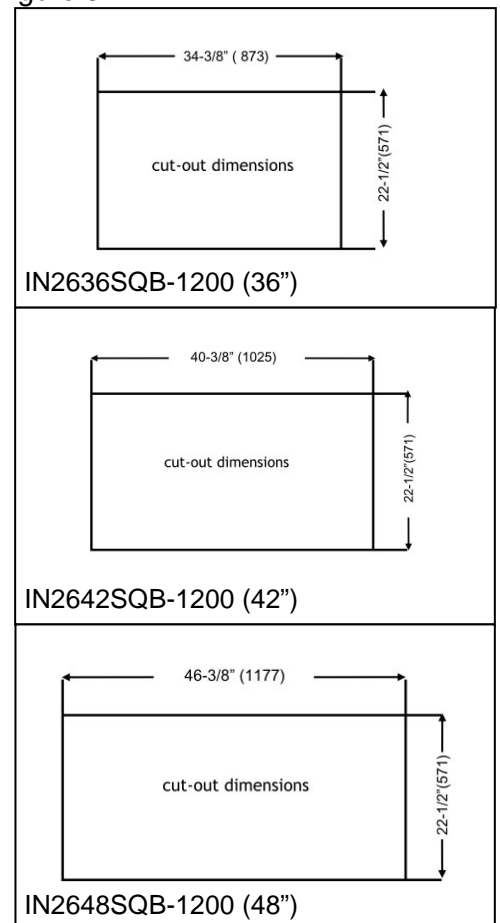


Figure 3



- and green) to house wires and cap with wire connectors.
- Store wires in the wiring box.

Duct Work Installation

- Determine and make all necessary cuts in the wall or ceiling for the ductwork. Note: Install the ductwork before installing the hood.
- Use steel 8" round pipe to connect the ductwork above to the exhaust of the hood. The hood is preinstalled with a rectangular to 8" round transition (Refer to Figure 4). Use duct tape to make all joints secure and air tight.
- Please refer to local codes for the usage of a damper (not included).

Hood Installation

NOTE: USE HAND TOOLS ONLY. DO NOT OVER TIGHTEN SCREWS. IT MAY CAUSE DAMAGE TO THE HOOD.

- Remove the light panel by removing screws located at the bottom of the hood (8 screws for 36" & 42" and 11 screws for 48") Refer to Figure 5 as reference. Carefully remove the light support panel.
- Position the hood inside the custom wood frame, and secure the hood to the front and rear stud support (Refer to Figure 2) by using the front and rear mounting holes (Screws not included).
- For a more secure installation, use the mounting holes located on the side of the hood
- Make sure hood is secure before releasing.
- Re-install the light support panel. (Do not over tighten screws.)

⚠ CAUTION: MAKE SURE HOOD IS SECURE BEFORE RELEASING

Final Assembly

- Install the oil tunnel into recess support near rear of hood. Refer to Figure 6.
- Install baffle filters. Angle baffle filter toward back of hood
 - Push baffle filter up until almost level
 - Slide forward into recess behind the front of hood
 - Lower baffle filter
 - Slide back until it fits into resting position
 - Refer to Figure 6.

Figure 4

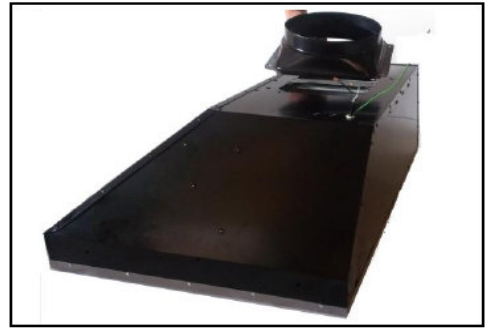


Figure 5



Figure 5

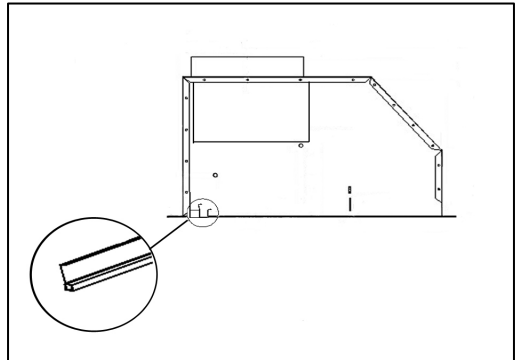
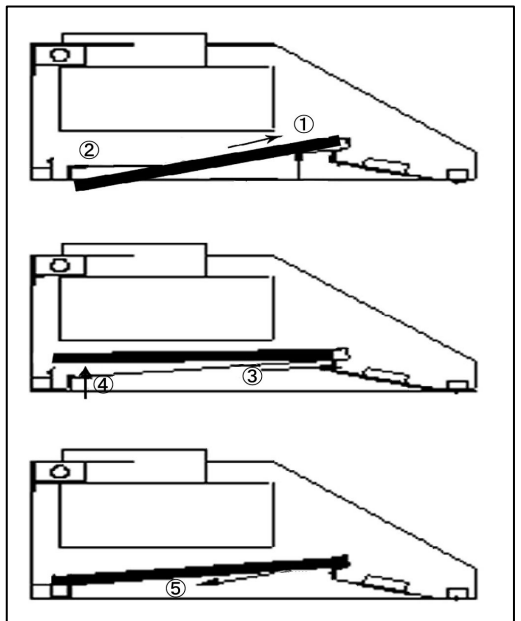


Figure 6

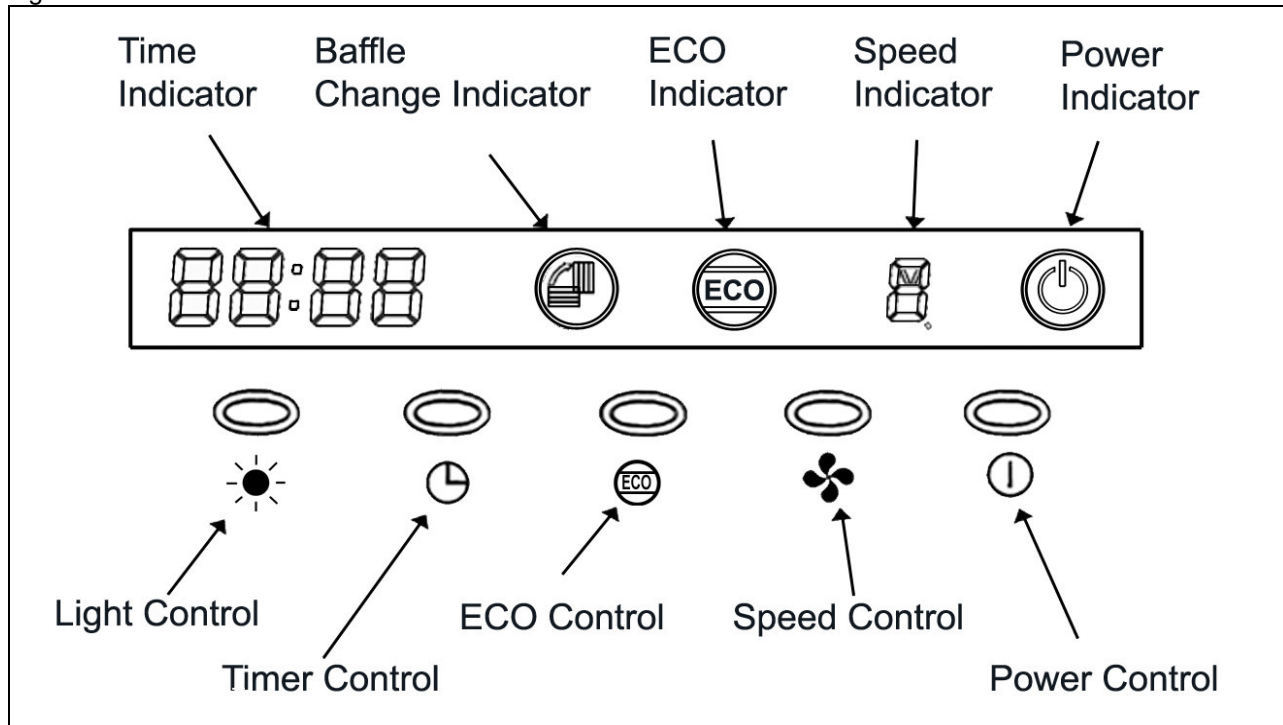


OPERATING INSTRUCTIONS

This KOBE hood is equipped with five electronic push buttons with LED display, a wireless remote control, a double horizontal squirrel cage blower with stainless steel baffle filters and two LED lights.

The five control buttons are Power Control (On/Off & 3-Minute Delay Shut-Off), Speed Control (High, Medium, Low & QuietMode™), ECO Control, Timer Control and Light Control. Refer to Figure 14.

Figure 14



Note: For best results, turn the range hood to QuietMode™ prior to any preparation or cooking. Adjust speed as needed.

Power Control

Press Power Control to turn On/Off the range hood. Hood will power on at Low speed.

Output Display:



3-Minute Delay Shut-Off Control





Delay Shut-Off Control powers down the range hood after 3 minutes. Press the Power Control to activate Delay-Shut off. The Timer Indicator will automatically begin to count down from the default 3 minutes. When the time is up, the unit will completely power off.

To bypass the 3-Minute Delay Shut-Off, press the Power Control again to completely power down the unit.

Speed Control

(Each press of Speed Control will cycle the fan through Low, Medium, High and QuietMode™.)

Output Display will indicate:

-  = QuietMode™ Speed
-  = Low Speed
-  = Medium Speed
-  = High Speed

ECO Control

The ECO function is set to turn on the range hood on QuietMode™ setting for 10 minutes every hour to remove excess moisture, microscopic particles and odors for better kitchen air quality.

ECO is independent from the power function.

To activate ECO when the unit is powered off, press the ECO Control. The ECO icon will be displayed to show that it is active. To deactivate it, press the ECO Control again. The icon will turn off, indicating it has been deactivated.

To activate ECO when the unit is powered on, press the ECO Control. The ECO icon will be displayed to show that it has been activated. **In order for ECO to take effect, the unit must be turned off.** If the fan is running, power it off by pressing the Power Control. The unit will automatically shut down in 3 minutes. To power down immediately, Press the Power Control again to power down the unit. Once the unit is powered off, the ECO icon will remain displayed, indicating that it is active. To deactivate it, press the ECO Control again. The icon will turn off, indicating it has been deactivated.

NOTE: Must open door or windows to create sufficient make-up air when ECO is operating.

Output Display when ECO is active:



Light Control

(Lights are controlled independently from Power Control. Turning the power off will not turn the lights off.)

Press Light Control to turn lights ON. Press Light Control again to DIM the lights. Press Light Control again to turn lights OFF.

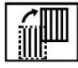
Timer Control

The Timer Control allows users set their range hood to automatically turn off. The timer ranges from 1 min. to 99 mins.

To activate the timer, the fan must be on (High, Medium, Low, or QuietMode™). As the fan is running, toggle the timer by pressing the Timer Control. The Timer Indicator will flash, indicating it is ready to be set. Press the Timer Control to set desired time, starting from 1 min. up to 99 mins. When finished setting time, the timer will begin to automatically count down.

Baffle Change Indicator



The display  will indicate when baffle filter needs cleaning. Press and hold the Power Control for 5 seconds to reset the Baffle Change Indicator.

Remote Control

The six control buttons for the wireless remote control are Power Control (On/Off & 3 Minute Delay Shut-Off), Light Control, ECO Control, Timer Switch Control and Speed Controls (High, Medium, Low & QuietMode™).

NOTE: Requires 2 AAA Batteries. Batteries not included.



Power Control

Press Power Control to turn hood ON and OFF. Hood will power on at Low speed.

3-Minute Delay Shut-Off Control

Delay Shut-Off Control powers down the range hood after 3 minutes. Press the Power Control to activate Delay-Shut off. The Timer Indicator will automatically begin to count down from the default 3 minute setting. When the time is up, the unit will completely power down. To bypass the 3 minute Delay Shut-Off, press the Power Control again to completely power off the unit.

Light Control

(Lights are controlled independently from Power Control. Turning the power off will not turn the lights off.)

Press Light Control to turn lights ON. Press Light Control again to DIM the lights. Press Light Control again to turn OFF lights.

Speed Control

Press the Speed Control to activate the fan. The fan will start on Low speed. Each press of the Speed Control button will cycle through the various speeds.

Press ▼ to cycle from High, Medium, Low and QuietMode™

Press ▲ to cycle from Low, Medium, High and QuietMode™.

Press Power Control to activate 3-Minute Delay

Timer Control

While the fan is running, press the Timer Control to activate the Timer. The Time Indicator will flash, indicating it is ready to be set. Use the arrow keys to set the desired time.

Press of ▼ will decrease the time by 1 minute. Each press of ▲ will increase the time by 1 minute. When finished setting desired time, the timer will automatically begin to count down or press the Timer Control to immediately begin the countdown.

If the timer is not set (▼ OR ▲) within 6 seconds, the unit will automatically exit Timer Control Mode and ▼ ▲ arrow keys will return to speed function control.

ECO Control

To activate ECO when the unit is powered off, press the ECO Control. The ECO icon will be displayed to show that it is active. To deactivate it, press the ECO Control again. The icon will turn off, indicating it has been deactivated.

To activate ECO when the unit is powered on, press the ECO Control. The ECO icon will be displayed to show that it has been activated. **In order for ECO to take effect, the unit must be turned off.** If the fan is running, power it off by pressing the Power Control. Then press the Power Control again to power down the unit. Once the unit is powered off, the ECO icon will remain displayed to indicate that it is active. To deactivate it, press the ECO Control again. The icon will turn off, indicating it has been deactivated.

For optimal performance, clean the range hood surface and baffles regularly.

To Clean Hood Surface

CAUTION: NEVER USE ABRASIVE CLEANERS, PADS, OR CLOTHS.

*** Regular care will help preserve its fine appearance.

1. Use only mild soap or detergent solutions. Dry surfaces using soft cloth.
2. If hood looks splotchy (stainless steel hood), use a stainless steel cleaner to clean the surface of the hood. Avoid getting cleaning solution onto or into the control panel. Follow directions of the stainless steel cleaner. **Caution: Do not leave on too long as this may cause damage to hood finish.** Use soft towel to wipe off the cleaning solution, gently rub off any stubborn spots. Use dry soft towel to dry the hood.
3. DO NOT allow deposits to accumulate or remain on the hood.
4. DO NOT use ordinary steel wool or steel brushes. Small bits of steel may adhere to the surface and cause rusting.
5. DO NOT allow salt solutions, disinfectants, bleaches, or cleaning compounds to remain in contact with stainless steel for extended periods. Many of these compounds contain chemicals, which may be harmful. Rinse with water after exposure and wipe dry with a clean lint free cloth.

To Clean Baffle Filter/Oil Tunnel

CAUTION: DRAIN OIL FROM BAFFLE FILTER, SPACERS & OIL TUNNEL REGULARLY TO PREVENT OVERFLOW.

1. Remove all the baffle filters, spacers and oil tunnel.
2. Using a sponge, wash with warm soapy water. Dry completely before returning into place.

CAUTION: SHARP EDGES

(Note: Baffle Filters are top rack dishwasher safe.)

SPECIFICATIONS

MODEL / SIZE	IN2636SQB-1200 / 36" IN2642SQB-1200 / 42" IN2648SQB-1200 / 48"
COLOR	Stainless Steel
CONSUMPTION / AMPERE	580W / 5.0A
VOLTAGE	120V 60Hz
NUMBER OF BLOWERS	2
BLOWER TYPE: CENTRIFUGAL	Double Horizontal Squirrel Cage
EXHAUST	Top Transition Rectangular to 8" Round
CONTROLS	5 Push-Button Controls with LED Display - Timer Control, - 3-Minute Delay Shut-Off - Wireless Remote Control - ECO Control
LIGHTS	LED Lights 3W x 2 – 36", Dual Level Lighting LED Lights 3W x 3 – 42" & 48", Dual Level Lighting

HOOD DIMENSION (W X D X H)	(IN2636SQB-1200) 34-3/8" x 22-1/2" x 12" (IN2642SQB-1200) 40-3/8" x 22-1/2" x 12" (IN2648SQB-1200) 46-3/8" x 22-1/2" x 12"
---------------------------------------	----------------------------------------------------------------------------------------------------------------------------------

HOOD WEIGHT (lbs)	<u>Net</u>	<u>Gross</u>
	IN2636SQB-1200	57lbs
	IN2642SQB-1200	62lbs
	IN2648SQB-1200	66lbs

Blower Air Capacity (cfm)	QuietMode™	Low	Medium	High
	350	475	900	1200
Sone*	1.6	2.8	7.0	8.0
dB	46.5	53.5	67.5	70.0

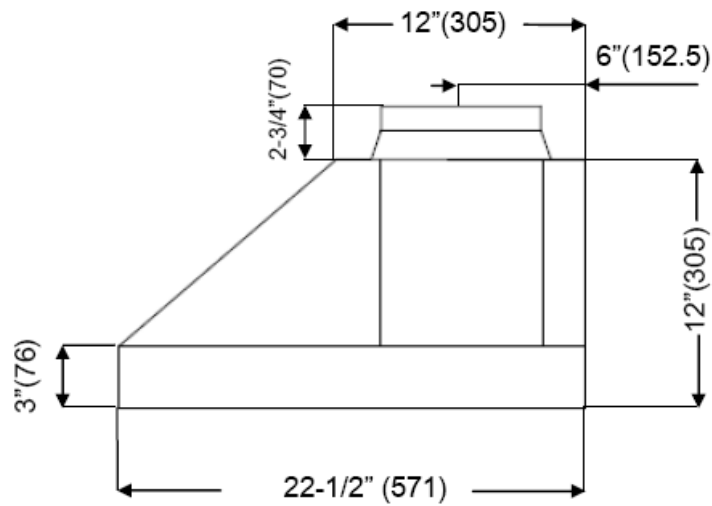
* One Sone is equivalent to 40 decibels.
**Specifications subject to change without notice.

MEASUREMENTS & DIAGRAMS

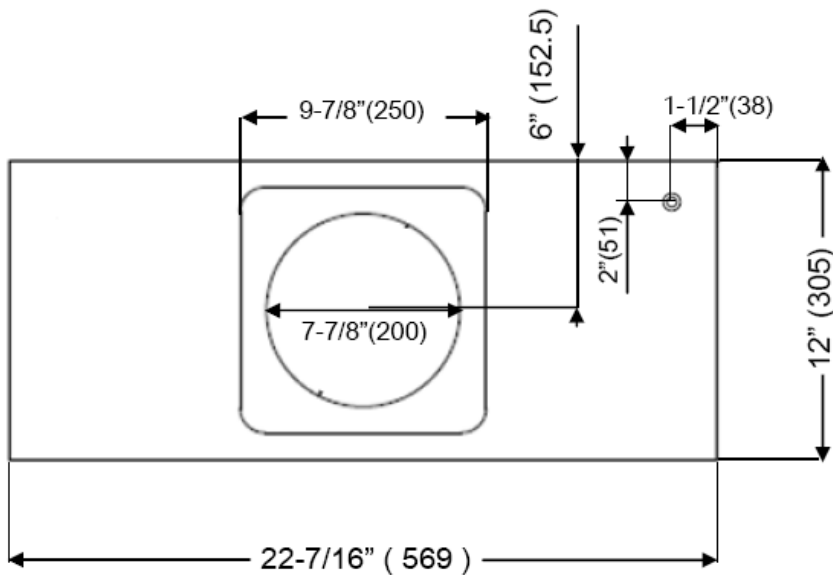
- ◆ All () are in millimeter.
- ◆ All inch measurements are converted from millimeters. Inch measurements are estimated.

MODEL NO: IN2636SQB-1200
IN2642SQB-1200
IN2648SQB-1200

Side View

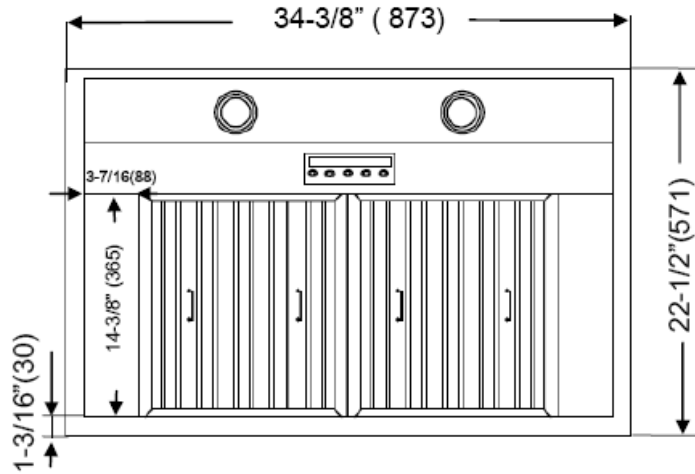


Top View

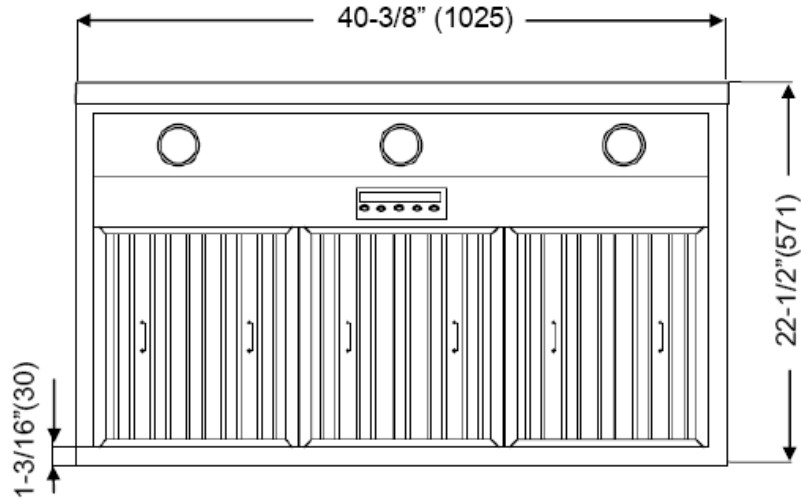


Bottom View

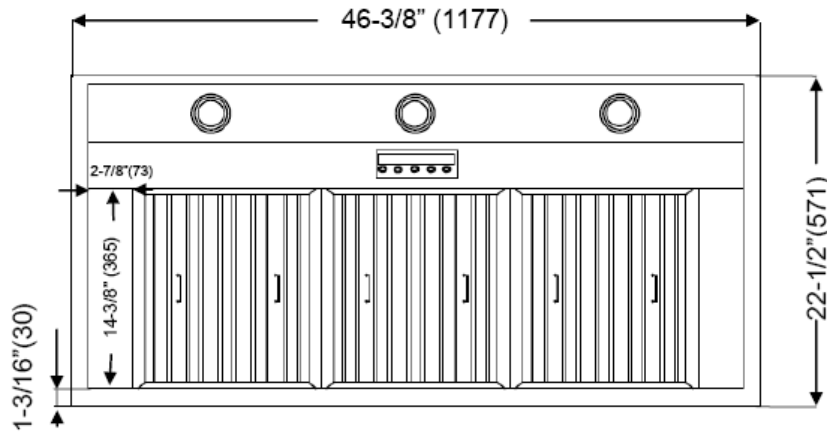
MODEL NO: IN2636SQB-1200 (36")



MODEL NO: IN2642SQB-1200 (42")

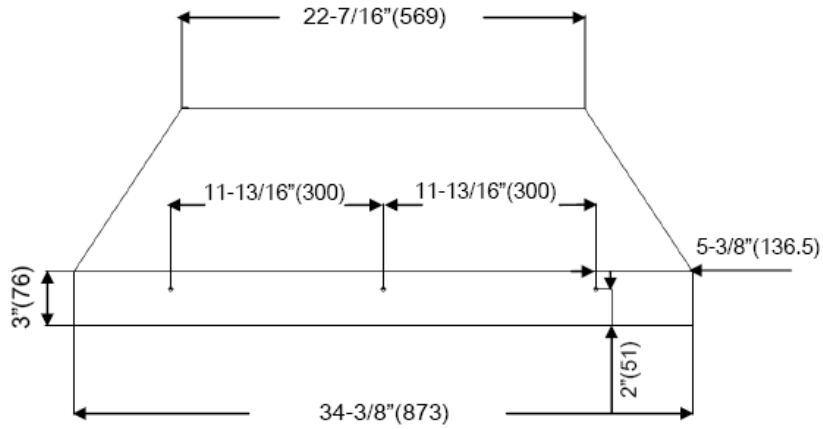


MODEL NO: IN2648SQB-1200 (48")

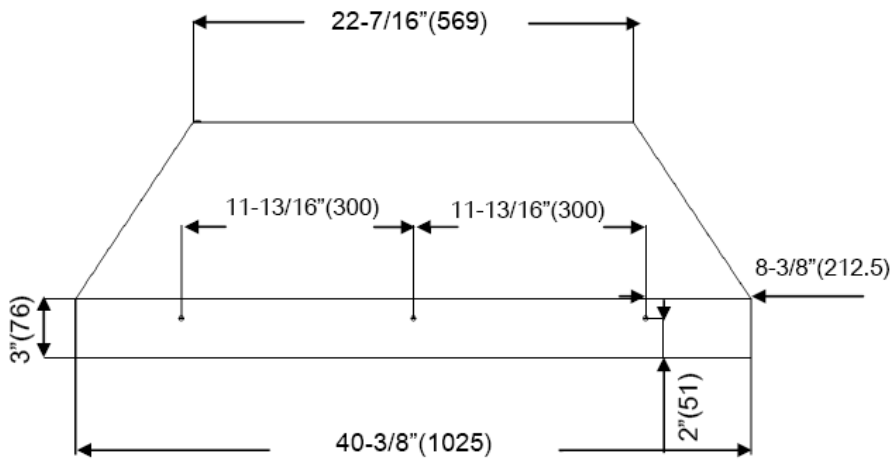


Front View

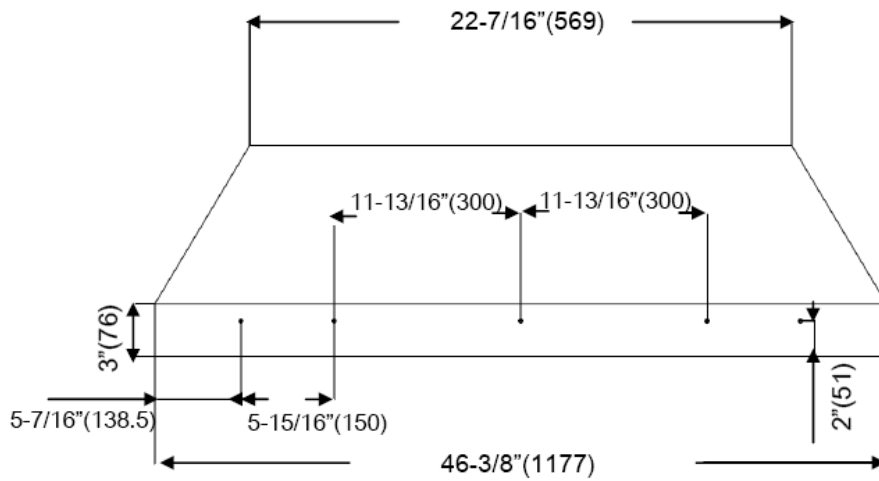
MODEL NO: IN2636SQB-1200 (36")



MODEL NO: IN2642SQB-1200 (42")



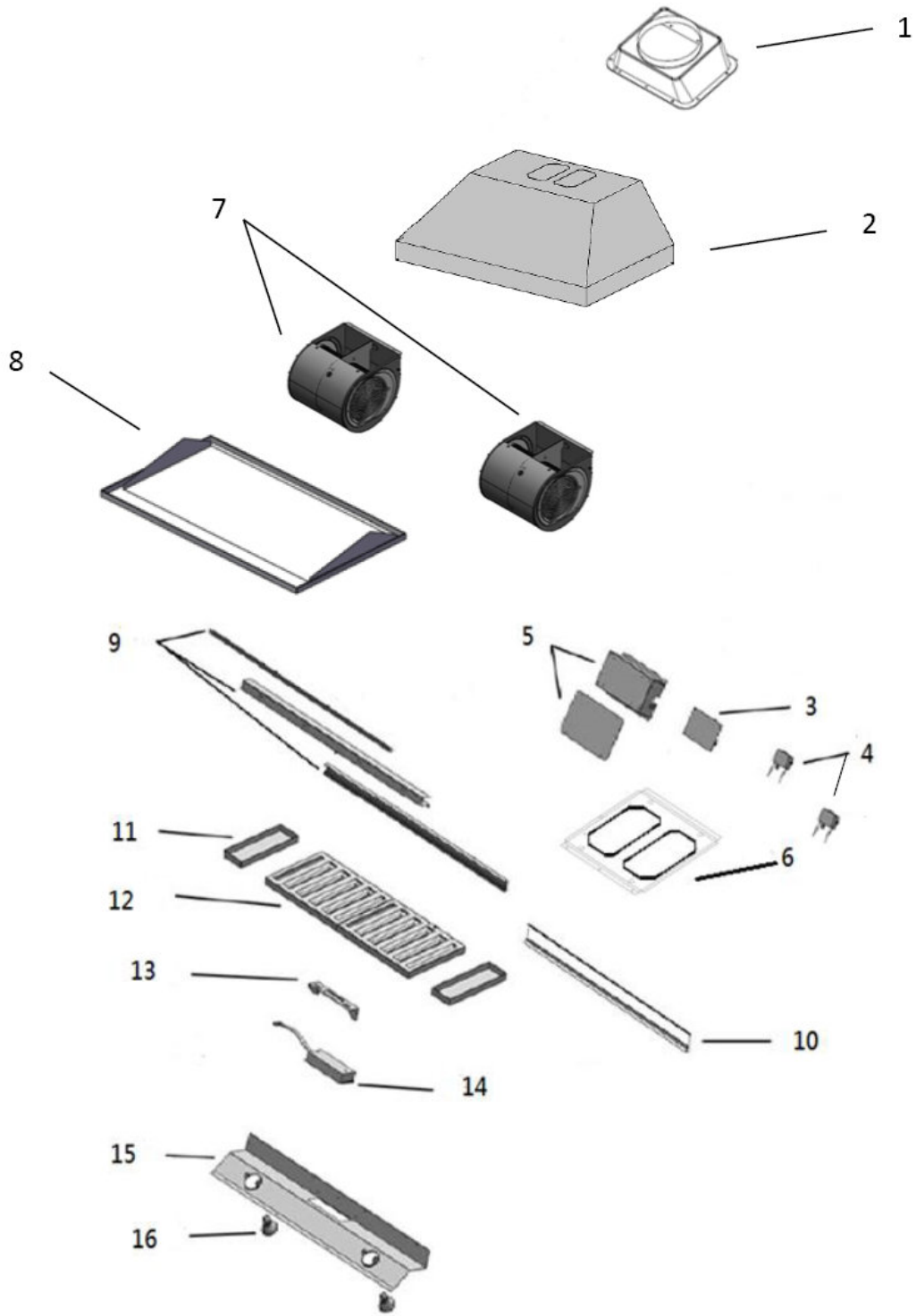
MODEL NO: IN2648SQB-1200 (48")



PARTS LIST

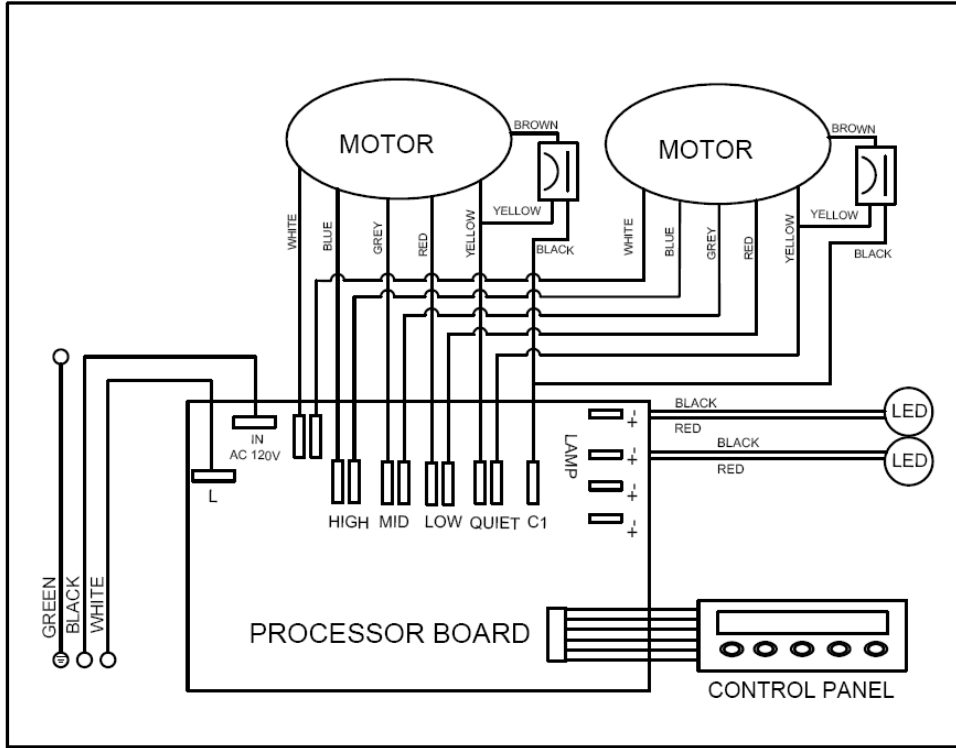
MODEL NO : IN2636SQB-1200(36")
 : IN2642SQB-1200(42")
 : IN2648SQB-1200(48")

NO.	DESCRIPTION	MODEL/SIZE	PART NO.
1	Ducting Transition		L1-0242-3630
2	Hood Casing	IN2636SQB-1200	10-2636-1200
		IN2642SQB-1200	10-2642-1200
		IN2648SQB-1200	10-2648-1200
3	Processor Board		FA-18880-0401-B3
4	Capacitor		L1-0401-0120-01
5	Electric Component Support		L1-0201-2630
6	Motor Bracket		L1-0105-2636-D
7	Blower System		L1-0302-A120-01
8	Bottom Casing	IN2636SQB-1200	B101-2636-09-12
		IN2642SQB-1200	B101-2642-09-12
		IN2648SQB-1200	B101-2648-09-12
9	Baffle Filter Support	IN2636SQB-1200	B101-2636-30-12
		IN2642SQB-1200	B101-2642-30-12
		IN2648SQB-1200	B101-2648-30-12
10	Oil Tunnel	IN2636SQB-1200	B101-2636-28-12
		IN2642SQB-1200	B101-2642-28-12
		IN2648SQB-1200	B101-2648-28-12
11	Stainless Steel Spacer	IN2636SQB-1200	B101-2636-24
		IN2648SQB-1200	B101-2648-24
12	Baffle Filter		L1-0214-0191
13	Control Unit Support		L1-0207-2630
14	Control Unit		FA-18880-0401-A3
15	Light Panel Light Panel Light Panel	IN2636SQB-1200	B101-2636-06-12
		IN2642SQB-1200	B101-2642-06-12
		IN2648SQB-1200	B101-2648-06-12
16	LED Light (3W)		L1-0403-0001

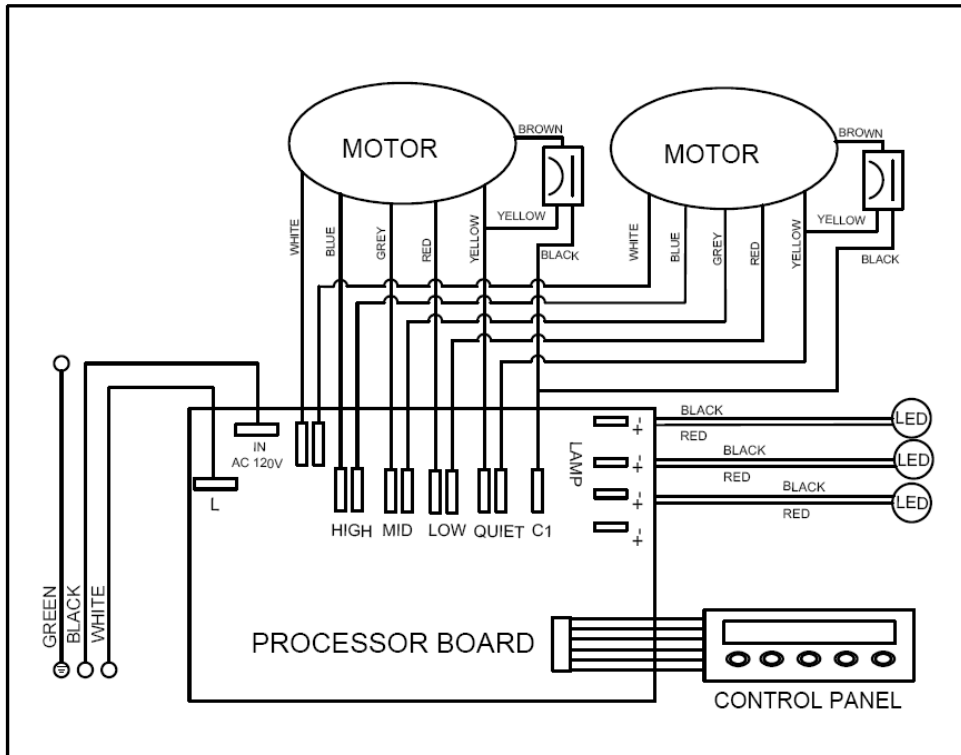


CIRCUIT DIAGRAM

MODEL NO. : IN2636SQB-1200 (36")



**MODEL NO. : IN2642SQB-1200 (42")
IN2648SQB-1200 (48")**



TROUBLE SHOOTING

Issue	Possible Cause	Solution
After Installation, motor and lights are not working.	The power is not on.	Make sure the circuit breaker and the unit's power is ON. Use a voltage meter to check the power supply.
	The wire connection is not secure.	Check and tighten wire connection.
	The control panel and processor board wiring are disconnected.	Check wire continuity from control panel to processor board.
	The control panel and processor board is defective.	Replace the control panel or processor board.
Lights are working, but motor(s) is not.	The motor(s) is defective.	Replace the motor.
	The capacitor(s) is defective.	Replace capacitor(s).
	The control panel or processor board is defective.	Replace the control panel or processing board.
Motor(s) is working, but light(s) is not.	The LED light(s) is defective.	Replace the LED light.
	The LED light transformer is defective.	Replace the LED light transformer.
	The control panel or processor board is defective.	Replace the control panel or processing board.
The range hood is vibrating.	The blower system is not secure.	Tighten the turbine impeller/squirrel cage and air chamber.
	The turbine impeller/squirrel cage is not balanced.	Replace the turbine impeller/squirrel cage.
	Hood is not secured in place.	Check the installation of hood, tighten the mounting bracket.
The range hood is not venting out correctly.	The range hood is installed outside of the manufacture recommended clearance.	Adjust the clearance between the range hoods and cook top to 27" to 30". For Island range hood, the clearance between the range hoods and cook top is 30" to 36".
	There is no make-up air inside the house.	Open the window to enhance the performance of the range hood by creating a sufficient make-up air.
	Obstacle blocking the pipe work.	Remove all obstacles from the duct work.
	The pipe size is smaller than the suggested pipe size.	Change the ducting according to the manufacture suggestion.
Cold air is coming into the home.	The pipe connection is not properly sealed.	Check the pipe installation.
	The damper is not properly installed or is missing from the installation.	Check the damper installation.
	The damper is not installed.	By installing the damper, it will help to eliminate air backflow.

WARRANTY

WARRANTY CERTIFICATE

KOBE Range Hoods (referred to herein as “we” or “us”) warrants to the original purchaser (referred to herein as “you” or “your”) all products manufactured or supplied by us to be free from defect in workmanship and materials as follows:

TWO-YEAR LIMITED WARRANTY FOR PARTS AND LABOR ON KOBE PREMIUM SERIES:

For two years from the date of your original invoice from a KOBE authorized dealer, we will, at our sole discretion, choose to repair or replace the product free of charge that failed due to manufacturing defects.

It is your sole responsibility to ensure the product is readily accessible for the service technician to perform repairs. **The service technician will not, under any circumstance, remove, alter or modify any fixture built around and/or connected to the product to gain access to perform repairs.**

During the two-year Limited Warranty period, additional charges may apply which include but are not limited to:

- Service technician travel charges if the requested service location is 30-miles out of KOBE’s authorized service area
- Parts shipping expenses
- Un-installation of defective product and Installation of replacement product

ONE-YEAR LIMITED WARRANTY FOR PARTS ON KOBE BRILLIA SERIES:

For one year from the date of your original invoice from a KOBE authorized dealer, we will provide, free of charge, parts to replace those that failed due to manufacturing defects. It is our sole discretion to choose to repair or replace defective parts. It is your sole responsibility for all labor costs associated with this warranty.

Warranty Exclusions:

This warranty does not cover, including but not limited to the following:

- a. Improper installation.
- b. Any repair, alteration, modification not authorized by KOBE.
- c. Duct alteration, modification and connection.
- d. Incorrect electric current, voltage or wiring.
- e. Normal maintenance and service required for the product.
- f. Consumable parts such as light bulbs and carbon filters.
- g. Improper usage of the product that it is not intended for, such as commercial use, outdoor use and multi-family use.
- h. Normal wear and tear.
- i. Chips, scratches or dents by abuse or misuse of the product.
- j. Damages caused by accident, fire, flood and other Acts of God.
- k. Expenses incurred for service located outside of the designated service area.
- l. Purchases from unauthorized dealers.

- m. Removal fees of defective product and Installation fees associated with replacement product.

If we determine that the warranty exclusions listed above apply or if you fail to provide all necessary documentation for warranty service, you will be responsible for all expenses associated with the requested service, including parts, labor, shipping, travelling and any other expense related to the service request.

To qualify for warranty service, you must:

1. Have the **ORIGINAL** proof of purchase
2. Be the **ORIGINAL** purchaser of the product
3. Have the model number
4. Have the serial number
5. Have a description of the nature of any defect in the product or part

TO REQUEST WARRANTY SERVICE, PLEASE CONTACT THE KOBE RANGE HOODS SERVICE CENTER:

KOBE SERVICE CENTER

Tel: 1-855-800-KOBE (5623)

E-mail: kobe@adcoservice.com

WARRANTY INFORMATION FORM

Fill in the blanks and keep this paper with the **original invoice** in a safe place for future service purpose.

1. Date of purchase : _____

2. Model No. : _____

3. Serial No. : _____

For warranty service or spare parts purchase contact:

KOBE Service Center

Toll Free: 1-855-800-KOBE (5623)

Email: kobe@adcoservice.com

To report a problem, please contact:

Toll Free: 1-877-BUY-KOBE (289-5623)

Email: customer.service@koberangehoods.com

For product information contact:

Toll free: 1-877-BUY-KOBE (289-5623)

Email: info@koberangehoods.com

Your notes:

[ESPAÑOL]

ES IMPORTANTE QUE LEA ESTO PRIMERO

LEA ANTES DE LA INSTALACION

1. Revise cuidadosamente todos los contenidos del paquete;
2. Inspeccione cuidadosamente la unidad para los daños o defectos estéticos;
3. Pruebe la unidad antes de la instalación;
4. Deje que un contratista certificado / electricista realice la instalación.

SI HAY ALGUN PROBLEMA:

1. **NO INSTALE LA UNIDAD Y GUARDE EL EMPAQUE ORIGINAL.**
2. Tenga su recibo original de compra y número de serie del producto listo.
3. Llame al 1-877-BUY-KOBE (289-5623), o envíe correo electrónico a info@koberangehoods.com para informar del problema.

NO SE DEVUELVE, NO SE REEMBOLSA, NO SE ADMITEN CAMBIOS SI:

1. EL PRODUCTO HA SIDO INSTALADO
2. LOS PASOS CIEGOS HANSIDO PERFORADOS
3. SE HA EXTRAVIADO MATERIAL Y / O PIEZAS ORIGINAL DEL PAQUETE

[ESPAÑOL]

- LEA Y GUARDE ESTAS INSTRUCCIONES –

CONTENIDOS

INSTRUCCIONES IMPORTANTES DE SEGURIDAD.....26
COMPONENTES DEL PAQUETE28
INSTALACIÓN.....29
INSTRUCCIONES DE USO.....32
ESPECIFICACIONES.....37
MEDIDAS Y DIAGRAMAS.....38
LISTA DE PIEZAS41
DIAGRAMA DEL CIRCUITO.....43
SOLUCIÓN DE PROBLEMAS44
GARANTÍA45
FORMULARIO DE INFORMACIÓN DE GARANTÍA.....47

- LEA CUIDADOSAMENTE TODAS LAS INSTRUCCIONES ANTES DE COMENZAR –

TODO EL CABLEADO DEBERÁ REALIZARSE POR UN PROFESIONAL Y DE ACUERDO CON LOS CÓDIGOS ELÉCTRICOS NACIONALES Y LOCALES



INSTRUCCIONES IMPORTANTES DE SEGURIDAD

- POR FAVOR, LEA CUIDADOSAMENTE ESTA SECCIÓN ANTES DE INSTALAR -

⚠ ADVERTENCIA: PARA REDUCIR EL RIESGO DE INCENDIO, ELECTROCUCIÓN O LESIÓN PERSONAL, TOMA EN CUENTA LO SIGUIENTE:

- 1) La instalación y el cableado eléctrico deberán realizarse por profesionales calificados y de acuerdo con todos los códigos y estándares correspondientes, incluyendo los códigos y normas sobre la construcción para prevenir incendios.
- 2) Al cortar o perforar una pared o techo, tenga cuidado de no dañar el cableado eléctrico u otras instalaciones de servicios ocultas.
- 3) Los ventiladores con conductos deberán tener una ventilación hacia el exterior.
 - a) Antes de darle servicio o limpiar la unidad, abra el panel de la luz y DESCONECTE EL SUMINISTRO ELÉCTRICO EN EL PANEL DE SERVICIO.
 - b) Limpie frecuentemente las superficies saturadas con grasa. Para reducir el riesgo de incendio y para dispersar el aire adecuadamente, asegúrese de ventilar el aire al exterior. NO ventile el aire del escape en espacios cerrados entre paredes, áticos, espacios de acceso debajo de pisos o garajes.

NOTA - Esta garantía no es válida sin un recibo de un agente autorizado o si la unidad se ha dañado debido al maltrato, mala instalación, uso inadecuado, abuso, negligencia o cualquier otra circunstancia que se encuentre fuera del control de los agentes autorizados de KOBE RANGE HOODS. Cualquier reparación que se realice sin la supervisión de los agentes autorizados de KOBE RANGE HOODS anulará la garantía automáticamente.

- KOBE RANGE HOODS no se hará responsable por cualquier daño a la propiedad personal o inmobiliario ni por las lesiones físicas que se hayan causado ya sea directa o indirectamente por la campana de extracción.

⚠ ADVERTENCIA: PARA REDUCIR EL RIESGO QUE OCURRAN LESIONES PERSONALES EN CASO DE UN INCENDIO CAUSADO POR LA GRASA ACUMULADA EN LAS HORNILLAS DE LA ESTUFA:

1. Mantenga limpios todos los ventiladores, deflectores/separadores/filtros/conductos de aceite/recipientes para aceite y las superficies saturadas con grasa. No deberá permitirse que la grasa se acumule en el ventilador, deflector/separador/filtro/conducto de aceite/ recipiente para aceite.
2. Siempre ENCIENDA el extractor cuando cocine.
3. Utilice las configuraciones altas en la estufa SOLAMENTE cuando sea necesario.
4. No deje la estufa sin supervisión mientras esté cocinando.
5. Siempre utilice utensilios de cocina adecuados para el tipo y cantidad de alimentos que prepara.
6. Utilice esta unidad únicamente de la manera en que fue diseñada por el fabricante.
7. Antes de darle servicio, desconecte el suministro eléctrico en el panel de servicio y cierre bajo llave el panel de servicio (de ser posible) para prevenir que la unidad se encienda accidentalmente.
8. Limpie el ventilador con frecuencia.

Qué Hacer en Caso de Un Incendio Causado por la Grasa Acumulada en las Hornillas de la Estufa

- SOFOQUE LAS LLAMAS con una tapadera, una bandeja para hornear galletas o una bandeja de metal que quede bien ajustada y luego apague la hornilla. MANTENGA TODO EL MATERIAL INFLAMABLE O COMBUSTIBLE LEJOS DE LAS LLAMAS. Si las llamas no se apagan inmediatamente, EVACUE EL ÁREA Y LLAME AL DEPARTAMENTO DE BOMBEROS o al 911.
- NUNCA LEVANTE UN SARTÉN QUE SE ESTÉ QUEMANDO – Usted Podría Quemarse.
- NO UTILICE AGUA, incluyendo paños o toallas mojadas - esto resultará en una explosión violenta de vapor.
- Utilice un extinguidor SOLO si:
 - a) Cuenta con un extinguidor Clase A, B, C y sabe cómo utilizarlo.
 - b) El incendio es pequeño y se ha contenido en el área en donde comenzó.
 - c) Ha llamado al departamento de bomberos.
 - d) Puede combatir el incendio con su espalda dirigida hacia una salida.

Qué Hacer si Siente Olor a Gas

- Apague cualquier llama abierta.
- No intente encender las luces o cualquier otro tipo de aparato.
- Abra todas las puertas y ventanas para dispersar el gas. Si aún así siente olor a gas, llame a la Compañía de Gas y al Departamento de Bomberos inmediatamente.

PRECAUCIÓN

- 1) Solamente para ventilación general. No utilizar para eliminar materiales y vapores peligrosos o explosivos.
- 2) Para reducir el peligro de incendio, utilice solamente una red de conductos metálicos. Necesita aire suficiente para la combustión y eliminación de gases por medio del conducto de ventilación (chimenea) para prevenir la explosión de flujo de aire en retroceso.
- 3) Siga las directrices y estándares de seguridad del fabricante del equipo de calefacción, tales como aquellos publicados por la Asociación de Protección contra Incendios (National Fire Protection Association – NFPA) y la Sociedad Americana de Ingenieros en Calefacción, Refrigeración y Aire Acondicionado (American Society for Heating, Refrigeration and Air Conditioning Engineers – ASHRAE) y las autoridades normativas.
- 4) Activar cualquier interruptor podría causar una explosión o ignición.
- 5) Debido al tamaño y peso de esta campana de extracción, se recomienda que la instalación sea realizada por dos personas.

ADVERTENCIA



RIESGO DE ELECTROCUCIÓN – Puede resultar en lesiones serias o la muerte. Desconecte el aparato del suministro eléctrico antes de darle servicio. Si estuviera equipado con éste, el foco fluorescente debido a que contiene pequeñas cantidades de mercurio, deberá reciclarse o desecharse según los Códigos Locales, Estatales y Federales.

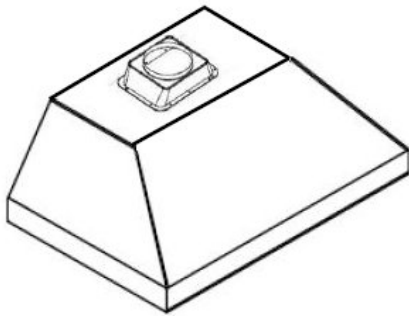
COMPONENTES DEL PAQUETE

(Debe conservar todo el material para devoluciones o reembolsos)

Caja de Campana Extractora

- {A} Campana Extractora KOBE
- {B} Tarjeta de Garantía
- {C} Manual de Instrucción (CD)
- {D} Filtro Deflector – 2 (36”), 3 (42”, 48”)
- {E} Túnel de Aceite – 1
- {F} Separador de Acero Inoxidable – 2 (Para 36” o 48” Solamente)
- {G} Control Remoto – 1

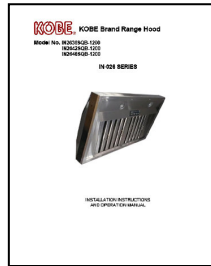
{A}



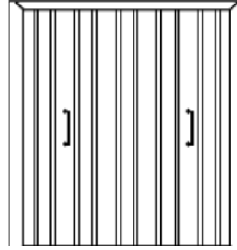
{B}

KOBE RANGE HOODS SERIAL NO. _____ DATE _____ INSTALLER NAME _____ MODEL NO. _____ INSTALLATION DATE _____ SERVICE CENTER _____ PHONE NO. _____ E-MAIL _____ WEBSITE _____ IF YOU HAVE ANY QUESTIONS, PLEASE CONTACT OUR CUSTOMER SERVICE AT (626) 775-8880 OR VISIT OUR WEBSITE AT www.koberangehoods.com	
--------------------------------------------------------------------------------------------------------------------------------------------------------------------------------------------------------------------------------------------------------------------------------------------------------------------------------------------------------------------------------------------	--

{C}



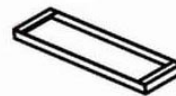
{D}



{E}



{F}



{G}



(Baterías AAA no incluidas)

- PARA MÁS INFORMACIÓN, POR FAVOR VISITE NUESTRA PÁGINA WEB www.KOBERangeHoods.com O CONTACTE A KOBE RANGE HOODS A (626) 775-8880.

INSTALACIÓN

POR FAVOR, LEA LAS INSTRUCCIONES COMPLETAMENTE ANTES DE CONTINUAR

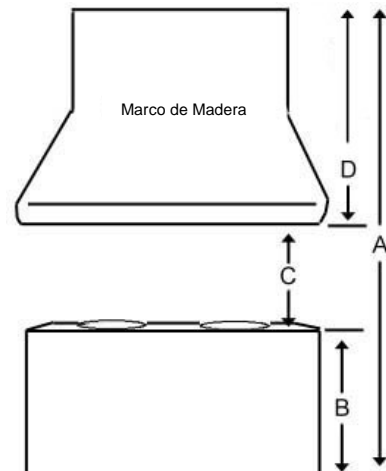
Cálculo antes de la Instalación

Para realizar el cálculo para la instalación, por favor consulte la TABLA 1. (Todos los cálculos están hechos en pulgadas).

-PARA INSTALACIÓN DEBAJO DE UN GABINETE-

TABLA 1

- A = Altura del Piso al Techo
- B = Altura del Piso a la Superficie del Mostrador (Estándar: 36")
- C = Altura de la Superficie del Mostrador a la Parte Inferior del Marco de Madera (Se recomienda de 27" a 30")**
- D = Altura del Marco de Madera



⚠️ ADVERTENCIA DE SEGURIDAD

LA CAMPANA PODRÍA TENER EXTREMOS SUMAMENTE FILOSOS; FAVOR DE UTILIZAR GANTES PROTECTORES SI VA A RETIRAR CUALQUIER PIEZA PARA INSTALAR, LIMPIAR O DARLE SERVICIO.

NOTA: TENGA MUCHO CUIDADO AL UTILIZAR UN DESTORNILLADOR ELÉCTRICO; PODRÍA CAUSAR DAÑOS A LA CAMPANA.

Preparación Antes de la Instalación

NOTA: PARA EVITAR DAÑOS A SU CAMPANA, EVITE QUE LOS ESCOMBROS ENTREN DESDE LA APERTURA DE VENTILACIÓN.

- Decida la ubicación del tubo de ventilación de la campana hacia el exterior. Refiérase a la Figura 1.
- Un tramo recto, de ventilación corta permitirá que la campana trabaje con más eficiencia.
- Trate de evitar tantas conexiones, doblados, y largos como sea posible. Esto puede reducir el rendimiento de la campana.
- Conecte temporalmente la campana para verificar que funciona correctamente antes de instalar.
- **Importante: Retire la película protectora de la campana, si tuviese.**
- Use cinta adhesiva para sellar las uniones entre las secciones de tubería.

⚠ ATENCIÓN: Si al moverse el extractor es necesario instalar la campana, desconecte la alimentación en una estufa eléctrica desde el cuadro eléctrico principal. **APAGUE EL GAS ANTES DE MOVER LA ESTUFA DE GAS.** Y use una cubierta protectora para proteger los daños de la estufa y / o el mostrador.

Preparación Personalizada de la Campana

1. El marco de la campana debe ser diseñado de acuerdo a la forma y el peso de la inserción. Refierase a las medidas y diagramas en la página 13-15.
2. Una base sólida (se recomienda madera contrachapada de espesor de 3/4 de pulgada) es necesario para sostener el peso de la inserción.
3. Se recomienda instalar el soporte del montante delantero y trasero (no incluido). Véase la Figura 2. Por razones de seguridad, se proporcionan agujeros adicionales de instalación en el lado de la inserción. Prepare el soporte montante lateral si es necesario.
4. Determine y marque las líneas centrales en la base de la estructura de madera donde se instala el inserción.
5. Determine la ubicación adecuada para el cable de alimentación. Haga un orificio de acceso de cables utilizando una broca de taladro. Instale el cable de alambre y selle el espacio alrededor del agujero.
6. Corte la abertura donde se instala la inserción. (Vea Figura 3 para las dimensiones adecuadas en función de la anchura de la campana.)

Cableado de la Fuente de Alimentación

- ⚠ **PRECAUCIÓN:** Si se mueve la estufa y es necesario instalar la campana, desconecte la alimentación eléctrica de la estufa desde el cuadro eléctrico principal. **CIERRE EL GAS ANTES DE MOVER UNA ESTUFA DE GAS. RIESGO DE DESCARGA ELÉCTRICA.**
- ⚠ **RIESGO DE DESCARGA ELÉCTRICA. ESTA CAMPANA EXTRACTORA SE DEBE CONECTAR CORRECTAMENTE A LA TIERRA. ASEGÚRESE QUE ESTO SEA REALIZADO POR UN ELECTRICISTA CALIFICADO DE ACUERDO CON TODOS LOS CÓDIGOS ELÉCTRICOS NACIONALES Y LOCALES. ANTES DE**

Figura 1

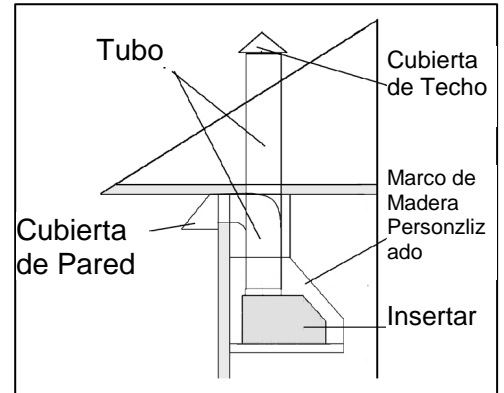


Figura 2

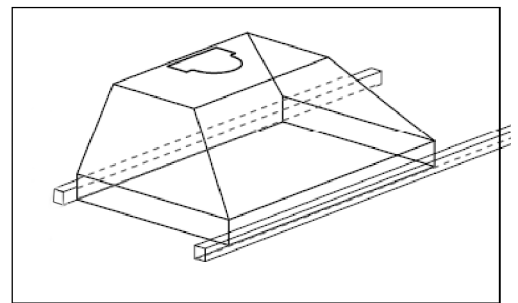
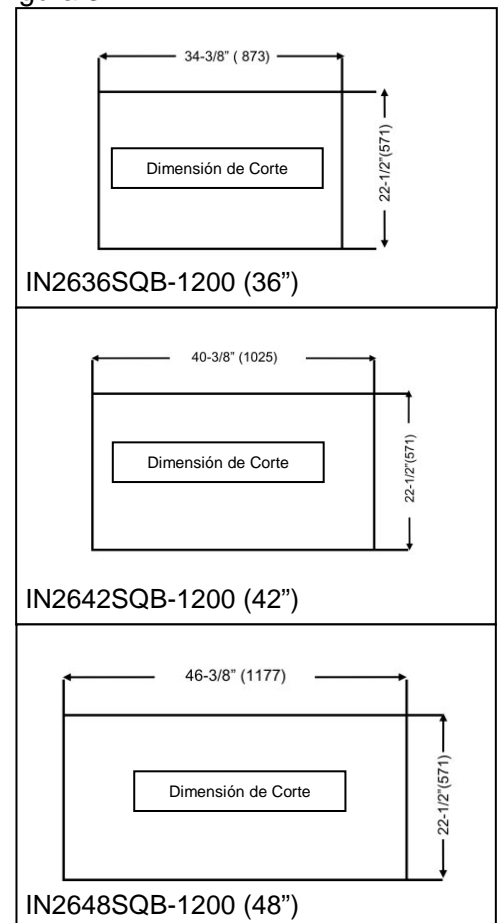


Figura 3



CONECTAR LOS CABLES, APAGUE EL INTERRUPTOR DEL PANEL DE CONTROL Y BLOQUEA EL PANEL DE SERVICIO PARA EVITAR QUE SE ENCIENDA ACCIDENTALMENTE.

20. Conecte temporalmente la campana para verificar que funcione adecuadamente antes de instalar. Si la campana no funciona, revise el disyuntor o el fusible. Si la campana sigue sin funcionar, desconecte la fuente de alimentación y verifique la continuidad de todas las conexiones de los cables.
21. Si la campana está funcionando normalmente, simplemente conecte tres cables (negro, blanco y verde) a los cables de la casa y tape con conectores de cable.
22. Guarde los cables en la caja de conexiones.

Trabajos de Instalación de Conducto

23. Determine y haga todos los cortes necesarios en la pared o el techo de la red de conductos. Nota: Instale el sistema de conductos antes de instalar la campana.
24. Use acero de tubo redondo 8 " para conectar la red de conductos de arriba al escape de la campana. La campana se preinstalada con una rectangular a una transición redonda de 8 " (Ver Figura 4). Use cinta adhesiva para hacer que todas las uniones queden seguras y herméticas.
25. Por favor, consulte los códigos locales para el uso de un amortiguador (no incluido)

Instalación de la Campana

NOTA: SOLO HERRAMIENTAS DE USO MANUAL. NO APRIETE DEMASIADO LOS TORNILLOS, ESTO PODRIA CAUSAR DAÑOS A LA CAMPANA.

26. Retire el panel de luz quitando los tornillos situados en la parte inferior de la campana (8 tornillos de 36 "y 42" y 11 tornillos para 48 ") Vea la Figura 5 como referencia. Retire con cuidado el panel de soporte de la luz.
27. Coloque la inserción dentro del marco de madera, y asegure la inserción de la parte delantera y trasera de sujeción de perno (Ver Figura 2) mediante el uso de los agujeros de montaje de la parte delantera y trasera (tornillos no incluidos).
28. Para una instalación más segura, utilice los orificios de montaje situados en el lado de la campana
29. asegúrese de que la inserción quede segura antes de soltarla.
30. Vuelva a instalar el panel de soporte de la luz. (No apriete demasiado los tornillos.)

⚠ PRECAUCIÓN: ASEGÚRESE QUE LA CAMPANA SEA SEGURO ANTES DE SOLTARLA.

Montaje Final

31. Instale el túnel de aceite en el hueco del soporte trasero cerca de la campana. Ver Figura 6.
32. Instale el filtro deflector. Inclíne el filtro deflector hacia la parte trasera de la campana ①. Empuje filtro deflector hasta casi al nivel ②. Deslice hacia adelante en el hueco trasero de la parte delantera de la campana ③. Baje el filtro deflector ④. Deslice hacia atrás hasta que encaje en su posición de reposo ⑤. Vea la Figura 6.

Figure 4

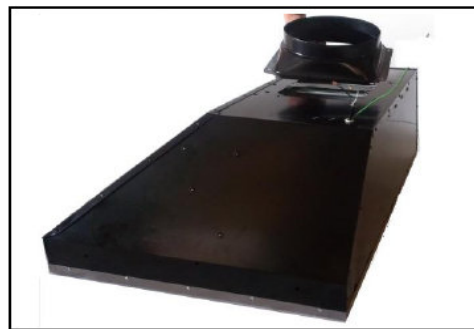


Figura 5

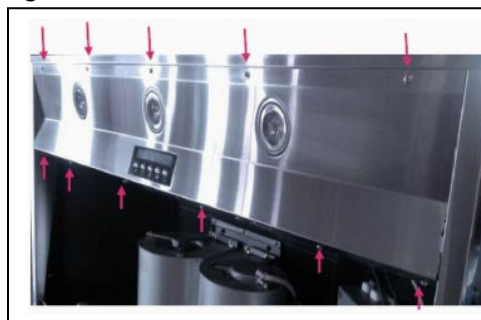


Figura 5

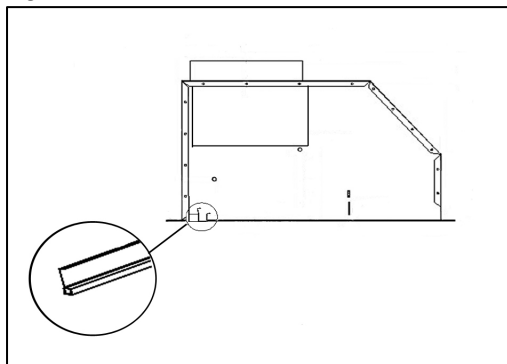
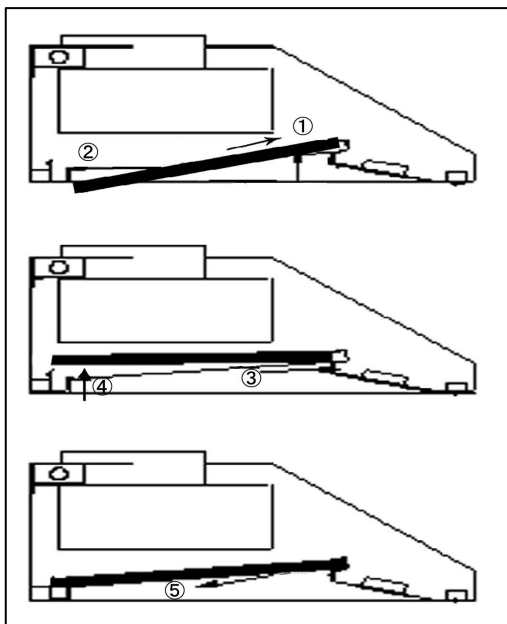


Figura 6



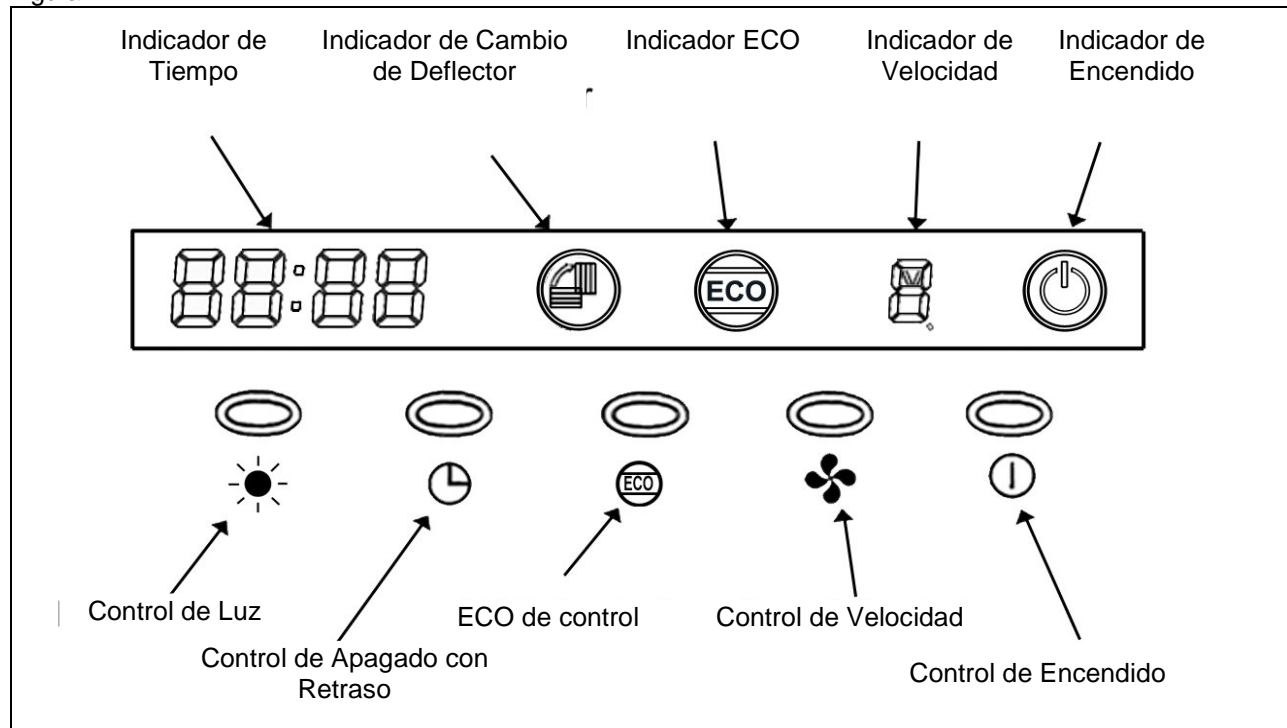
INSTRUCCIONES DEL USO

Esta campana KOBE está equipada con cinco botones de presión electrónicos con pantalla LED, un control remoto inalámbrico, una jaula doble horizontal del ventilador con filtros deflector de acero inoxidable y dos luces LED brillantes.

The five control buttons are Power Control (On/Off & 3-Minute Delay Shut-Off), Speed Control (High, Medium, Low & QuietMode™), ECO Control, Timer Control and Light Control. Refer to Figure 14.

Los cinco botones de control son Control de Encendido (encendido / apagado & Apagado con retraso de 3 Minutos), Control de Velocidad (Alto, Medio, Bajo & QuietMode™), el Control ECO, Control de Temporizador y Control de luz. Vea la Figura 14.

Figura 14



Nota: Para obtener los mejores resultados, gire la campana extractora en QuietMode™ antes de cualquier preparación o cocción. Ajuste la velocidad según sea necesario.

Control de Encendido

Pulse Control de Encendido para encender / apagar la campana extractora. La campana se encenderá lentamente.

Pantalla de Salida:



Control de Apagado de Retraso en 3 Minutos

Demora el Apagado de fuente eléctrica de la campana después de 3 minutos. Presione el Control de Encendido para activar el retardo de apagado. El indicador del temporizador se iniciará automáticamente

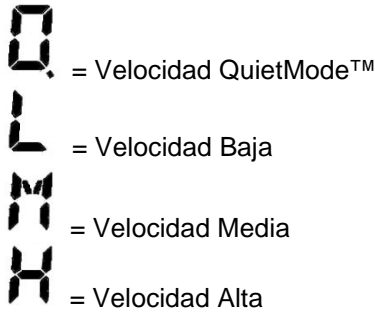
la cuenta regresiva desde el valor predeterminado de 3 minutos. Cuando se acabe el tiempo, la unidad se apagará completamente.

Para anular Control de Apagado de Retraso de 3 minutos, presione el control de encendido de nuevo para apagar completamente la unidad.

Control de Velocidad

(Cada vez que presione Control de Velocidad del ventilador hará un ciclo de TM Alta, Media, Baja y QuietMode.)

La Pantalla de Salida indicará:



Control ECO

La función ECO está ajustado para encender la campana extractora de QuietMode TM durante 10 minutos cada hora para eliminar el exceso de humedad, partículas microscópicas y olores para una mejor calidad de aire de la cocina.

ECO es independiente de la función de potencia.

Para activar ECO cuando la unidad está apagada, pulse el Control ECO. El icono de la ECO se muestra para indicar que está activo. Para desactivarlo, pulse la tecla de control de ECO de nuevo. El icono se apagará, indicando que se ha desactivado.

Para activar ECO cuando la unidad está encendida, presione el Control ECO. El icono de ECO se mostrará para demostrar que se ha activado. Para que tenga efecto ECO, la unidad debe ser apagada. Si el ventilador está funcionando, apáguelo pulsando el control de encendido. A continuación, pulse el control de encendido de nuevo para apagar la unidad. Una vez que la unidad está apagada, el icono de ECO se mantendrá en pantalla para indicar que está activo. Para desactivarlo, pulse nuevamente la tecla de control de ECO . El icono se apagará, indicando que se ha desactivado.

NOTA: Debe abrir la puerta o las ventanas para crear suficiente aire de compensación, cuando ECO está en funcionamiento.

Pantalla de salida cuando ECO está activado:



Control de Luz

(Las luces se controlan de forma independiente del control de potencia. Desconexión de la alimentación no va a apagar las luces.)

Presione Control de Luz para encender las luces ON . Presione nuevamente el Control de Luz para disminuir las luces . Presione nuevamente el Control de Luz para apagar en OFF.

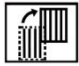
Control de Temporizador

El Control de Temporizador permite a los usuarios configurar su campana para que se apague automáticamente. El temporizador varía de 1 min. a 99 min.

Para activar el temporizador, el ventilador debe estar encendido (Alto, Medio, Bajo o QuietMode™). A medida que el ventilador está funcionando, mueva el temporizador presionando el Control de Temporizador. El indicador del temporizador parpadea, lo que indica que está listo para ser configurado. Presione el Control de Temporizador para ajustar la hora deseada, a partir de 1 min. hasta 99 minutos. Cuando termine de ajustar el tiempo, el temporizador comenzará automáticamente la cuenta regresiva.

Indicador de Cambio de Deflector



La figura  de la pantalla indicará si deflector las necesidades de limpieza del filtro. Mantenga pulsado el control de encendido durante 5 segundos para reconfigurar el Indicador de Cambio de Deflector.

Control Remoto

Los seis botones de control para el control remoto inalámbrico son Control de Encendido (On / Off), Control de Luz, Control de Apagado con Retraso, Control ECO y Control de Velocidades (Alta, Media, Baja y QuietMode™).

NOTA: Requiere 2 baterías AAA. Pilas no incluidas.



Control de Encendido

Pulse Control de Encendido para prender ON y OFF de la campana

Control de Apagado de Retraso en 3 Minutos

Demora el Apagado de fuente eléctrica de la campana después de 3 minutos. Presione el Control de Encendido para activar el retardo de apagado. El indicador del temporizador se iniciará automáticamente la cuenta regresiva desde el valor predeterminado de 3 minutos. Cuando se acabe el tiempo, la unidad se apagará completamente.

Control de Luz

(Las luces se controlan de forma independiente del control de encendido. Desconexión de la alimentación no va a apagar las luces.)

Pulse el control de la luz para prender ON y OFF de las luces

Control de Velocidad

Pulse el botón de control de velocidad para activar el ventilador. El ventilador se iniciará con alta velocidad. Cada vez que presione el botón de Control de Velocidad se pasará por el ciclo de diferentes velocidades.

Pulse ▼ para desplazarse en ciclo de Alta, Media, Baja y QuietMode™.

Pulse ▲ para desplazarse en ciclo de Alto, QuietMode™, Baja y Media.

Pulse Control de Encendido para apagar el ventilador.

Control del Temporizador

Mientras que el ventilador está funcionando, presione el control Timer para activar el temporizador. El indicador de tiempo parpadearán para indicar que está listo para ser programado. Utilice las teclas de flecha para ajustar la hora deseada.

Al presionarse ▼ disminuirá el tiempo de 1 minuto. Cada vez que pulse ▲ aumentará el tiempo de 1 minuto. Cuando termine de ajustar el tiempo deseado, el temporizador se iniciará automáticamente la cuenta atrás o presiona el Control de Temporizador para comenzar inmediatamente la cuenta regresiva.

Si el reloj no se programa (▼ O ▲) dentro de 6 segundos, la unidad saldrá automáticamente del Modo de Control de Temporizador y las teclas de flecha ▼ ▲ volverá a acelerar el control de la función.

Control ECO

Para activar ECO cuando la unidad está apagada, pulse el Control ECO. El icono de ECO muestra para indicar que está activo. Para desactivarlo, pulse nuevamente la tecla de Control ECO . El icono se apagará, indicando que se ha desactivado.

Para activar ECO cuando la unidad está encendida, pulse nuevamente la tecla de Control ECO. El icono de ECO se mostrará para demostrar que se ha activado. **Para que tenga efecto ECO, la unidad debe ser apagada.** Si el ventilador está funcionando, apáguelo pulsando el control de encendido. A continuación, pulse el control de encendido de nuevo para apagar la unidad. Una vez que la unidad está apagada, el icono de ECO se mantendrá en pantalla para indicar que está activo. Para desactivarlo, pulse nuevamente la tecla de control ECO . El icono de se apagará, indicando que se ha desactivado.

Para obtener un rendimiento óptimo, limpie la superficie de la campana extractora y los deflectores con regularidad.

Para limpiar la Superficie de la Campana

PRECAUCIÓN: NUNCA USE DETERGENTES ABRASIVOS, ALMOHADILLAS O PAÑOS

*** El cuidado regular le ayudará a conservar su buen aspecto.

1. Use sólo jabón suave o soluciones de detergente. Seque las superficies usando un paño suave.
2. Si la campana se ve manchada (campana de acero inoxidable), utilice un limpiador de acero inoxidable para limpiar la superficie de la campana.
Evite que la solución de limpieza sobre o dentro del panel de control. Siga las instrucciones del limpiador de acero inoxidable. **Precaución: No deje por mucho tiempo ya que esto puede causar daños al acabado de la campana.** Use una toalla suave para limpiar la solución de limpieza y frote cuidadosamente cualquier área difícil. Use una toalla suave y seco para secar la campana.
3. NO permita que los depósitos se acumulen o permanezcan en la campana.
4. NO utilice lana de acero ordinario o cepillos de acero. Pequeños pedazos de acero pueden adherirse a la superficie y causar oxidación.
5. NO permita que las soluciones salinas, desinfectantes, blanqueadores o productos de limpieza para permanecer en contacto con el acero inoxidable durante períodos prolongados. Muchos de estos compuestos contienen químicos que pueden ser perjudiciales. Enjuague con agua después de la exposición y seque con un paño libre de pelusas.

Para Limpiar Filtro Deflector/ Túnel de aceite

PRECAUCIÓN: DRENE EL ACEITE DE FILTRO DEFLECTOR & TÚNEL DE ACEITE CON REGULARIDAD PARA PREVENIR DESBORDAMIENTOS.

1. Quitar todos los filtros deflectores y el conducto de aceite.
2. Con una esponja, lave con agua tibia y jabón. Se seque por completo antes de regresar a su lugar.

PRECAUCIÓN: BORDES FILOSO

(Nota: Filtros deflectores son parte superior del lavaplatos.)

ESPECIFICACIONES

MODELO / MEDIDA	IN2636SQB-1200 / 36" IN2642SQB-1200 / 42" IN2648SQB-1200 / 48"			
COLOR	Acero Inoxidable			
CONSUMO/ AMPERE	580W / 5.0A			
VOLTAJE	120V 60Hz			
NUMERO DE MOTORES	2			
TIPO VENTILACIÓN: CENTRÍFUGA	Jaula Horizontal Doble			
ESCAPE	Transición Superior Rectangular a 8 "Redonda			
CONTROLES	5 Botones de Pulso con Pantalla LED - Control del Temporizador - Control de Apagado de Retraso en 3 Minutos - Control Remoto Inalámbrico - Control ECO			
LUCES	Luces LED 3W x 2 – 36", Luces de dos etapas Luces LED 3W x 3 – 42" & 48", Luces de dos etapas			
DIMENSIÓN DE CAMPANA (W X D X H)	(IN2636SQB-1200) 34-3/8" x 22-1/2" x 12" (IN2642SQB-1200) 40-3/8" x 22-1/2" x 12" (IN2648SQB-1200) 46-3/8" x 22-1/2" x 12"			
PESO DE CAMPANA (lbs)		<u>Neto</u>	<u>Bruto</u>	
	IN2636SQB-1200	57lbs	69.5lbs	
	IN2642SQB-1200	62lbs	72lbs	
	IN2648SQB-1200	66lbs	81.5lbs	
Capacidad de Ventilador de Aire (cfm)	QuietMode™	Bajo	Medio	Alto
	350	475	900	1200
Sonio*	1.6	2.8	7.0	8.0
dB	46.5	53.5	67.5	70.0

* Un Sonio es equivalente a 40 decibelios.

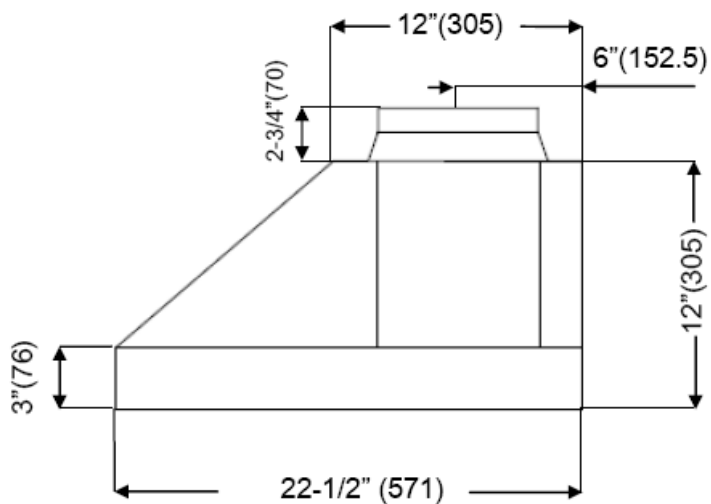
** Las especificaciones están sujetas a cambios sin previo aviso.

MEDIDAS & DIAGRAMAS

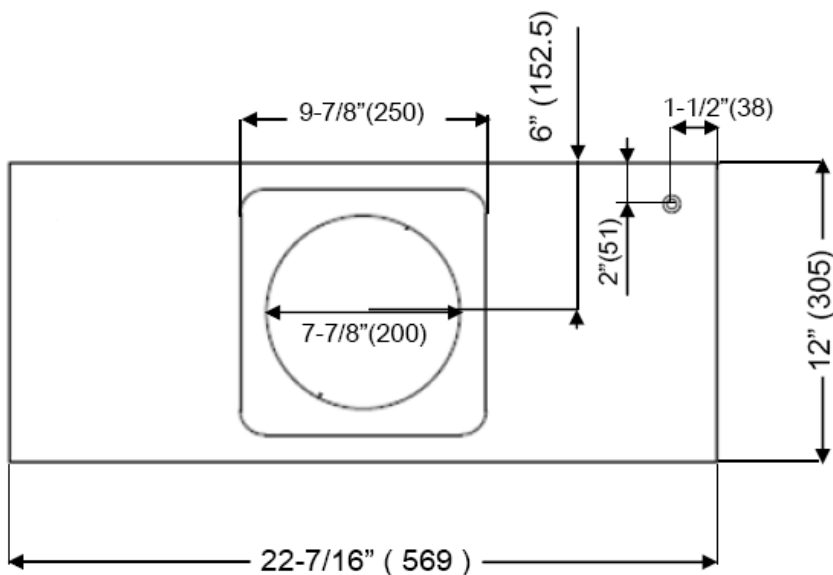
- ◆ Todos los () están en milímetros.
- ◆ Todas las medidas en pulgadas fueron convertidas desde milímetros. Las medidas en pulgadas son estimadas.

MODELO NO: IN2636SQB-1200
IN2642SQB-1200
IN2648SQB-1200

Vista Lateral

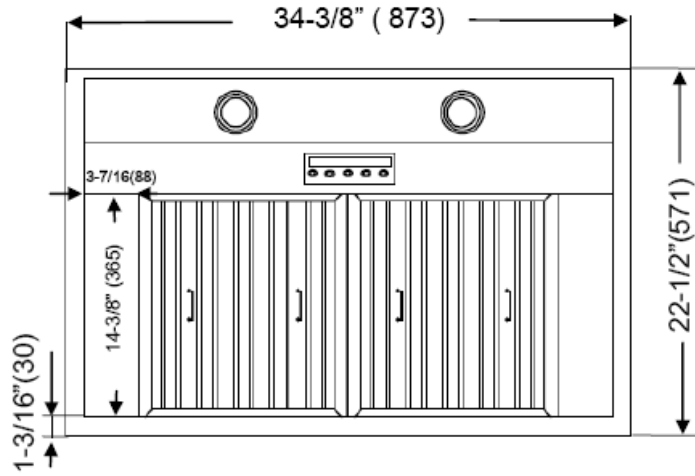


Vista Superior

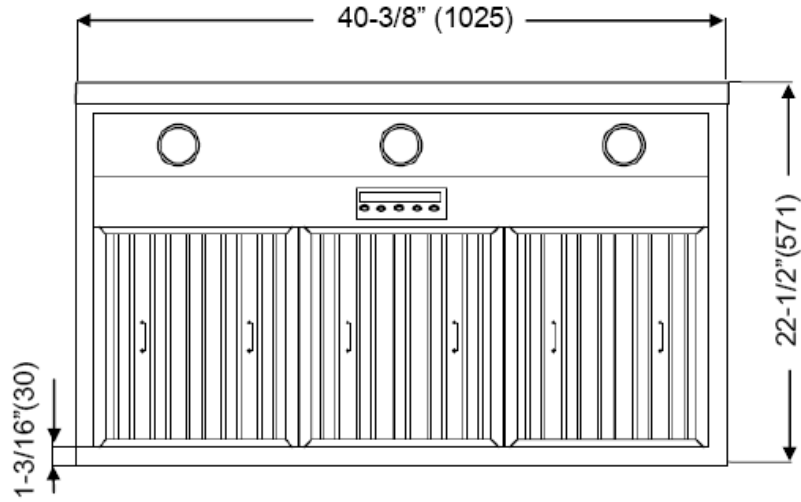


Vista Inferior

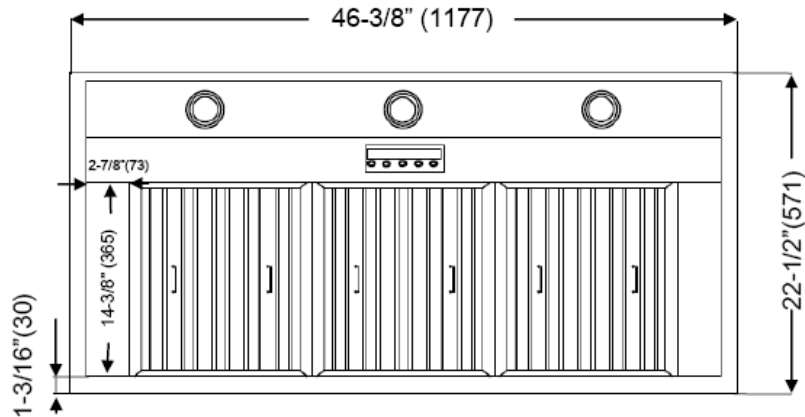
MODELO NO: IN2636SQB-1200 (36")



MODELO NO: IN2642SQB-1200 (42")

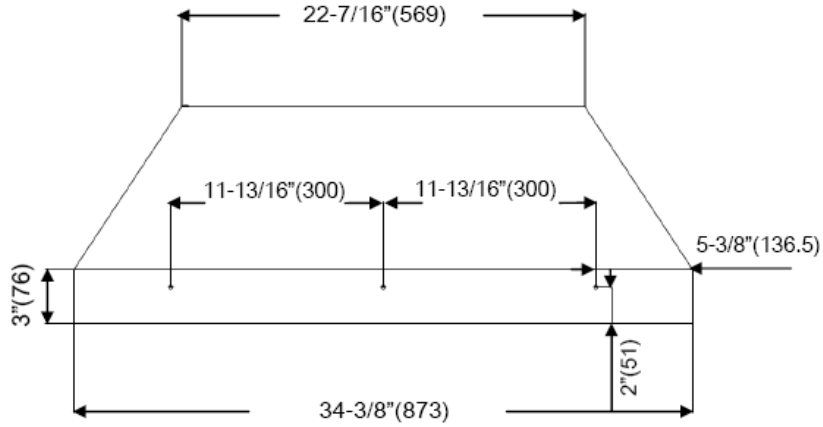


MODELO NO: IN2648SQB-1200 (48")

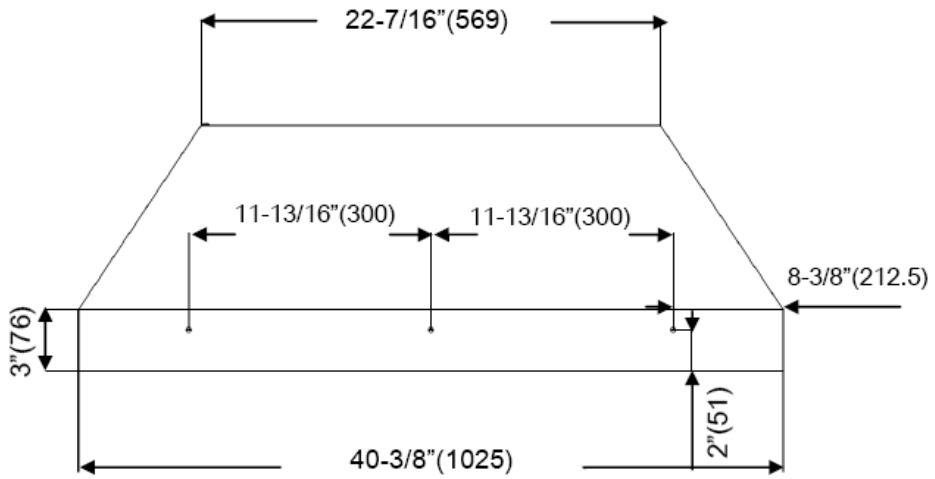


Vista Frontal

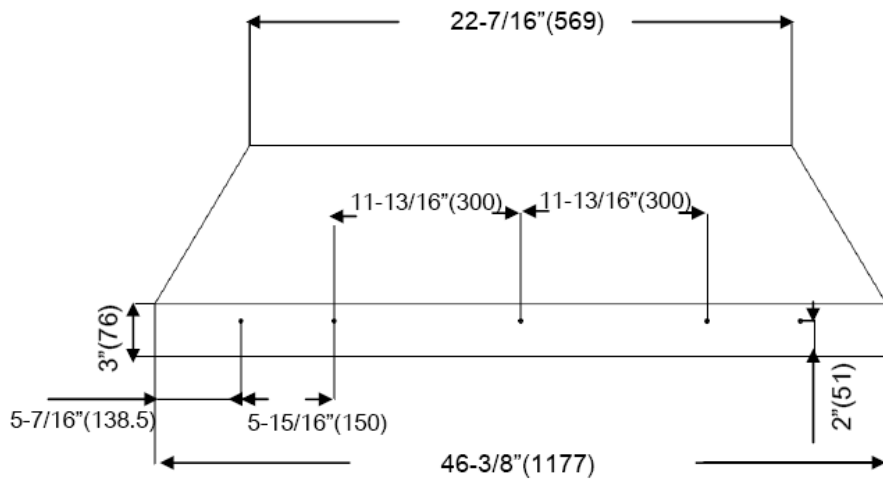
MODELO NO: IN2636SQB-1200 (36")



MODELO NO: IN2642SQB-1200 (42")



MODELO NO: IN2648SQB-1200 (48")



LISTA DE PIEZAS

MODELO NO : IN2636SQB-1200(36")
 : IN2642SQB-1200(42")
 : IN2648SQB-1200(48")

NO.	DESCRIPCION	MODELO/MEDIDA	NO. DE PIEZA
1	Conductos de Transición		L1-0242-3630
2	Carcasa de Campana	IN2636SQB-1200	10-2636-1200
		IN2642SQB-1200	10-2642-1200
		IN2648SQB-1200	10-2648-1200
3	Placa de Procesador		FA-18880-0401-B3
4	Condensador		L1-0401-0120-01
5	Soporte de Componentes Eléctricos		L1-0201-2630
6	Enchufe del Motor		L1-0105-2636-D
7	Sistema de Ventilador		L1-0302-A120-01
8	Carcasa Inferior	IN2636SQB-1200	B101-2636-09-12
		IN2642SQB-1200	B101-2642-09-12
		IN2648SQB-1200	B101-2648-09-12
9	Soporte de Filtro Deflector	IN2636SQB-1200	B101-2636-30-12
		IN2642SQB-1200	B101-2642-30-12
		IN2648SQB-1200	B101-2648-30-12
10	Túnel de Aceite	IN2636SQB-1200	B101-2636-28-12
		IN2642SQB-1200	B101-2642-28-12
		IN2648SQB-1200	B101-2648-28-12
11	Separador de acero inoxidable	IN2636SQB-1200	B101-2636-24
		IN2648SQB-1200	B101-2648-24
12	Filtro Deflector		L1-0214-0191
13	Soporte de Unidad de Control		L1-0207-2630
14	Unidad de Control		FA-18880-0401-A3
15	Panel de Luz Panel de Luz Panel de Luz	IN2636SQB-1200	B101-2636-06-12
		IN2642SQB-1200	B101-2642-06-12
		IN2648SQB-1200	B101-2648-06-12
16	Luz LED (3W)		L1-0403-0001

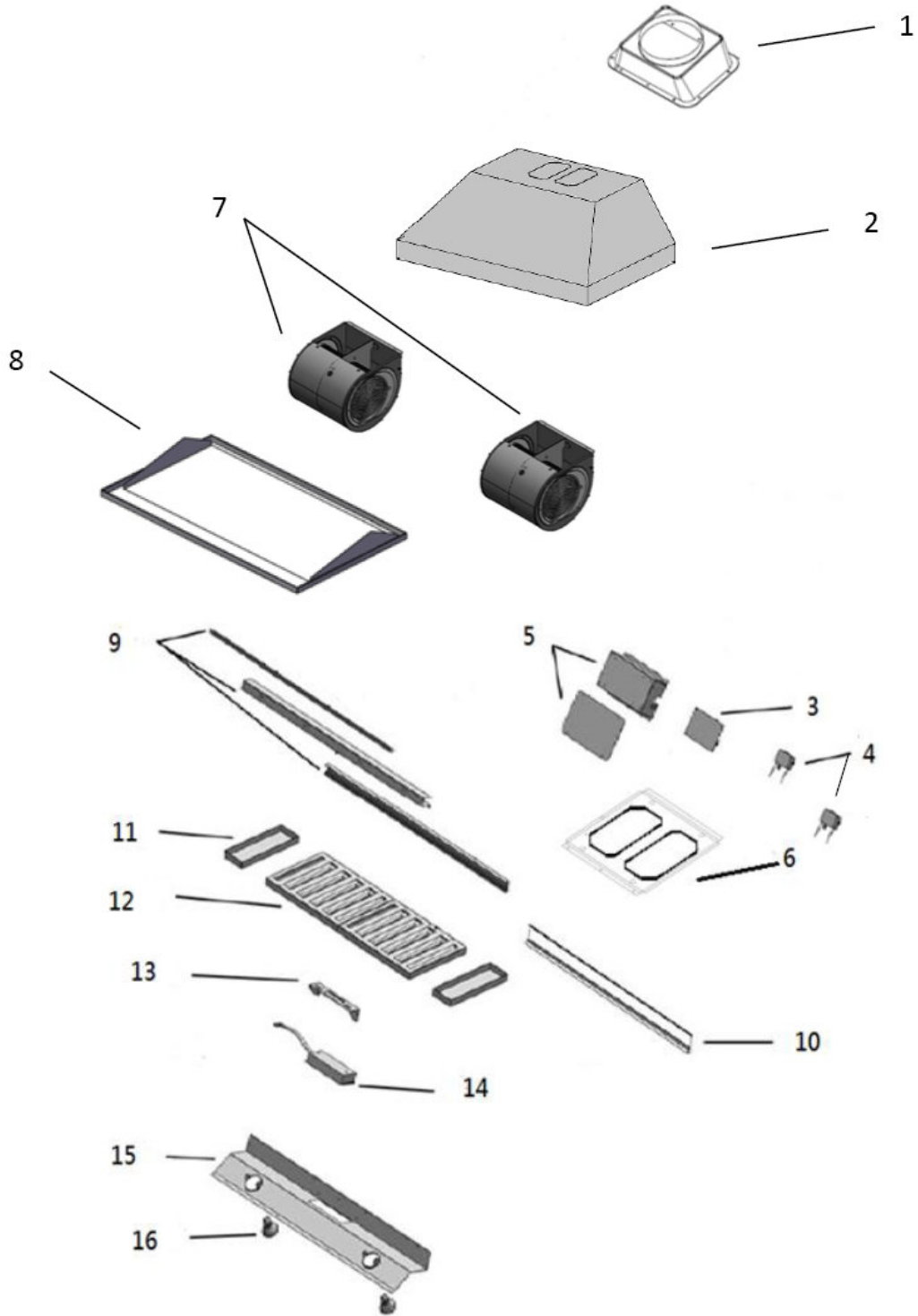
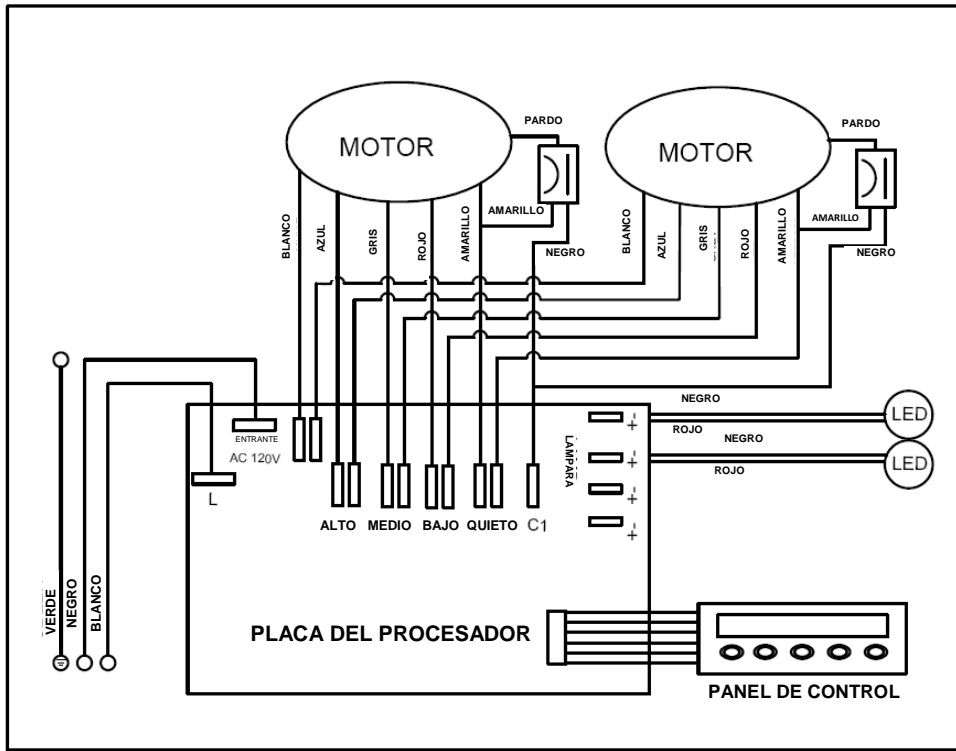
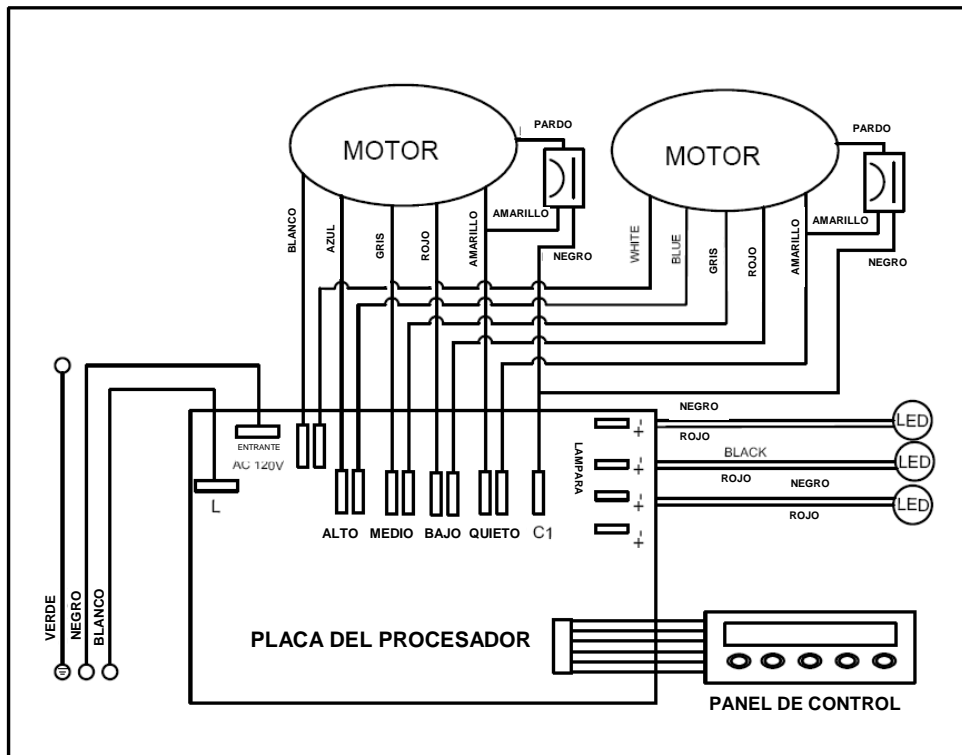


DIAGRAMA DE CIRCUITO

MODELO NO. : IN2636SQB-1200 (36")



MODELO NO. : IN2642SQB-1200 (42")
IN2648SQB-1200 (48")



SOLUCIÓN DE PROBLEMAS

Asunto	Posible Causa	Solución
Después de la instalación, el motor y las luces están funcionando.	La alimentación no está encendida.	Asegúrese de que el interruptor de circuito y el poder de la unidad está encendida. Use un medidor de voltaje para verificar la fuente de alimentación.
	El cable de conexión no es segura.	Revisar y apretar conexiones de los cables.
	El panel de control y placa de cableado de procesador está desconectado.	Compruebe la continuidad del cable desde el panel de control a placa del procesador.
	El panel de control y la placa del procesador es defectuoso.	Reemplace el panel de control o la placa del procesador.
Las luces están funcionando, pero el motor(es) no lo es.	El motor(es) es defectuoso.	Reemplace el motor.
	Condensador(es) defectuoso(s).	Reemplace condensador(es).
	El panel de control o la placa del procesador es defectuoso.	Reemplace el panel de control o la placa de procesador.
Motor(es) está trabajando, pero la luz (luces) no.	La luz(luces) LED está defectuosa.	Reemplace la luz LED.
	El transformador de la luz LED es defectuoso.	Reemplace el transformador de luz LED.
	El panel de control o la placa del procesador es defectuoso.	Reemplace el panel de control o la placa del procesador.
La campana extractora está vibrando.	El ventilador del sistema no es seguro.	Apriete el impulsor de la turbina / jaula y cámara de aire.
	La turbina de hélice / jaula no es equilibrada.	Reemplace la turbina de hélice / jaula .
	Hood no está asegurado en su lugar.	Compruebe la instalación de la campana, apriete el soporte de montaje.
La campana extractora no está ventilando correctamente.	La campana extractora se instala fuera del distancia de fabricación recomendado.	Ajuste la distancia entre la campana extractora y la parte superior de la cocina a 27 "a 30". Para la campana extractora Island, la distancia entre la campana y la superior de la cocina es de 30 "a 36".
	No hay aire de reposición dentro de la casa.	Abra la ventana para mejorar el rendimiento de la campana mediante la creación de una suficiente aire de reposición.
	Obstáculo que bloquea el trabajo de la tubería.	Eliminar todos los obstáculos de la red de conductos.
	El tamaño del tubo es más pequeño que el tamaño de la tubería sugerido.	Cambie los tubos de acuerdo con la recomendación del fabricante.
El aire frío entrando al hogar.	La conexión de la tubería no está sellada correctamente.	Compruebe la instalación de la tubería.
	El regulador no está bien instalado o no se encuentra en la instalación.	Compruebe la instalación del regulador.
	El regulador no está instalado.	Con la instalación del regulador, le ayudará a eliminar el reflujo de aire..

GARANTIA

CERTIFICADO DE GARANTIA

KOBE Range Hoods (denominados aquí como "nosotros" o "nosotros") le garantiza al comprador original (referido aquí como "usted" o "su") todos los productos fabricados o suministrados por nosotros para estar libres de defectos de fabricación y materiales, como sigue:

DOS AÑOS DE GARANTÍA LIMITADA DE LAS PIEZAS Y MANO DE OBRA DE SERIE KOBE PREMIUM:

Durante dos años a partir de la fecha de la factura original de un distribuidor autorizado de KOBE, nosotros, a nuestra sola discreción, optamos por reparar o reemplazar el producto sin cargo que ha fallado debido a defectos de fabricación.

Solo es su responsabilidad asegurar que el producto es de fácil acceso para el técnico de servicio que realice las reparaciones. **El técnico de servicio no será, en ningún caso, eliminar, alterar o modificar cualquier artefacto construido alrededor y / o conectado al producto para obtener acceso para realizar reparaciones.**

Durante el período de garantía limitada de dos años, pueden aplicar cargos adicionales que incluyen pero no se limitan a:

- Cargos de viaje si el técnico de servicio si la ubicación del servicio requerido es de 30 kilómetros fuera de la zona de servicio autorizada KOBE
- Piezas gastos de envío
- Desinstalación del producto defectuoso e instalación de productos de sustitución

UN AÑO DE GARANTÍA LIMITADA PARA PIEZAS DE KOBE SERIES BRILLIA:

Durante un año a partir de la fecha de la factura original de un distribuidor autorizado de KOBE, nos proporcionará, sin costo alguno, las piezas para reemplazar los que ha fallado debido a defectos de fabricación. Es nuestra entera discreción, de optar por reparar o sustituir las piezas defectuosas. Es solo su responsabilidad por todos los gastos laborales asociados con esta garantía.

Exclusiones de la garantía:

Esta garantía no cubre, incluyendo pero no limitado a lo siguiente:

- a. Una instalación incorrecta.
- b. Cualquier reparación, alteración, modificación no autorizada por KOBE.
- c. Alteración del conducto, modificación y conexión.
- d. Incorrecta corriente eléctrica, voltaje o cableado.
- e. El mantenimiento normal y servicios que son requeridos por el producto.
- f. Piezas de consumo como bombillas y filtros de carbono.
- g. Uso inadecuado del producto que no está destinado a, como el uso comercial, uso al aire libre y el uso multifamiliar.
- h. El desgaste normal.
- i. Chips, arañazos o abolladuras por abuso o mal uso del producto.
- j. Los daños causados por accidentes, incendios, inundaciones y otros fenómenos naturales.
- k. Los gastos incurridos por servicios situado fuera del área de servicio designado.

l. Las compras a distribuidores no autorizados.

m. Costos de eliminación de productos defectuosos e instalación asociados con el producto de reemplazo.

Si determinamos que las exclusiones de garantía que aparecen arriba son aplicables o si usted no puede proporcionar toda la documentación necesaria para el servicio de garantía, usted será responsable por todos los gastos asociados con el servicio solicitado, incluyendo piezas, mano de obra, transporte, viaje y cualquier otro gasto relacionado con la solicitud de servicio.

Para tener derecho al servicio de garantía, usted debe:

1. Tener el comprobante de compra original
2. Ser el comprador original del producto
3. Tenga el número de modelo
4. Tenga el número de serie
5. Tener una descripción de la naturaleza de cualquier defecto en el producto o pieza

PARA SOLICITAR EL SERVICIO DE GARANTÍA, POR FAVOR CONTACTE EL CENTRO DE SERVICIO DE KOBE RANGE HOOD :

CENTRO DE SERVICIO DE KOBE

Tel: 1-855-800-KOBE (5623)

E-mail: kobe@adcoservice.com

FORMULARIO DE INFORMACION DE GARANTIA

Llene los espacios en blanco y guarde este papel con la factura original en un lugar seguro para el propósito de servicio en el futuro.

1. Fecha de compra : _____

2. No. de Modelo : _____

3. No. de Serie : _____

Para obtener el servicio de garantía o compra de repuesto de piezas póngase en contacto con:

KOBE Service Center

Toll Free: 1-855-800-KOBE (5623)

Email: kobe@adcoservice.com

Para reportarse del problema, póngase en contacto con:

Toll Free: 1-877-BUY-KOBE (289-5623)

Email: customer.service@koberangehoods.com

Para informaciones del producto:

Toll free: 1-877-BUY-KOBE (289-5623)

Email: info@koberangehoods.com

Sus notas:

[Français]

IMPORTANT ! LISEZ CECI EN PREMIER LIEU.

LISEZ CECI AVANT L'INSTALLATION

1. Vérifiez soigneusement tous les contenus des emballages;
2. Inspectez soigneusement l'appareil pour tous dommages ou défauts cosmétiques;
3. Tester l'appareil avant l'installation;
4. Engagez un entrepreneur/électricien certifié pour procéder à l'installation.

EN CAS DE PROBLEME:

1. **N'INSTALLEZ PAS L'APPAREIL ET CONSERVER LE CONTENU DE L'EMBALLAGE D'ORIGINE.**
2. Ayez votre preuve d'achat originale et le numéro de série du produit.
3. Appelez au 1-877-BUY-KOBE (289-5623) ou contactez-nous par courriel à info@koberangehoods.com pour signaler le problème.

PAS DE RETOUR, DE REMBOURSEMENT, NI D'EXCHANGE SI:

1. Le produit a été installé
2. Les trous prédécoupés ont été perforés
3. Contenus et/ou pièces de l'emballage d'origine manquent

[Français]
- LISEZ ET CONSERVEZ CES INSTRUCTIONS -

TABLE DES MATIÈRES

CONSIGNES DE SÉCURITÉ IMPORTANTES	1
COMPOSANTS DE L'EMBALLAGE	3
INSTALLATION	4
MODE D'EMPLOI	7
SPÉCIFICATIONS.....	12
MESURES ET SCHÉMAS.....	13
LISTE DES PIÈCES	16
SCHÉMA DU CIRCUIT.....	18
DÉPANNAGE	19
GARANTIE	72
FORMULAIRE DE RENSEIGNEMENTS SUR LA GARANTIE	74

- LISEZ TOUTES LES INSTRUCTIONS ATTENTIVEMENT AVANT DE COMMENCER

-
TOUT LE CÂBLAGE DOIT ÊTRE FAIT PAR UN PROFESSIONNEL ET
CONFORMÉMENT AU CODES ÉLECTRIQUES NATIONAUX ET LOCAUX



MESURES DE SÉCURITÉ IMPORTANTES

- SVP LIRE CETTE SECTION ATTENTIVEMENT AVANT L'INSTALLATION -

⚠️ AVERTISSEMENT : AFIN DE RÉDUIRE LES RISQUES D'INCENDIE, DE CHOC ÉLECTRIQUE ET DE BLESSURES, RESPECTER LES CONSIGNES SUIVANTES :

- 1) L'installation et le câblage électrique doivent être effectués par des techniciens qualifiés et en conformité avec tous les codes et toutes les normes qui s'appliquent même pour les constructions ignifugées.
- 2) Lorsque vous découpez ou percez un mur ou un plafond, prendre soin de ne pas endommager le filage électrique ou autres conduits cachés.
- 3) Les hottes à évacuation doivent être évacuées à l'extérieur.
 - a) Avant une réparation, un entretien préventif ou un nettoyage, ouvrir le panneau de la lumière et **COUPER LE COURANT ÉLECTRIQUE SUR LE TABLEAU DE DISTRIBUTION.**
 - b) Nettoyer le ventilateur, le filtre optionnel et les surfaces chargées de graisse fréquemment. Afin de réduire les risques d'incendie et afin de disperser l'air adéquatement, évacuer l'air à l'extérieur. **NE PAS ventiler l'air d'évacuation dans les murs, les greniers, les vides sanitaires ou les garages.**

NOTE - La garantie de cet appareil sera nulle sans le reçu d'un distributeur autorisé de KOBE ou si l'appareil est endommagé par une utilisation inadéquate, une installation déficiente, un usage inapproprié, un mauvais traitement, de la négligence ou par toute autre circonstance échappant au contrôle des distributeurs autorisés de KOBE. Toute réparation effectuée sans la supervision d'un agent autorisé de KOBE annulera automatiquement la garantie.

- KOBE se dégage de toute responsabilité face à des dommages à la propriété personnelle ou aux biens immeubles ou encore à des blessures corporelles causées directement ou indirectement par la hotte de cuisinière.

⚠️ AVERTISSEMENT : AFIN DE RÉDUIRE LES RISQUES DE BLESSURES CORPORELLES DANS L'ÉVENTUALITÉ D'UN INCENDIE DE GRAISSE SE DÉCLARANT SOUS LA HOTTE DE CUISINIÈRE :

1. Tenir toujours propres le ventilateur, les filtres déflecteurs, s'il y en a, et les surfaces chargées de graisse.
2. Toujours faire fonctionner la hotte lors d'une cuisson à température élevée.
3. Utiliser les vitesses élevées de la hotte **UNIQUEMENT** lorsque nécessaire. Chauffer l'huile lentement aux réglages de basses ou de moyennes vitesses.
4. Ne pas laisser la cuisinière sans surveillance lors de la cuisson.
5. Toujours utiliser les articles de cuisson et les ustensiles appropriés au type et à la quantité d'aliments préparés.
6. Utiliser l'appareil seulement pour l'usage auquel le fabricant l'a destiné.
7. Avant l'entretien courant, couper l'alimentation électrique au tableau de distribution principal et verrouiller ce dernier (si possible) pour éviter une mise en marche accidentelle.
8. Nettoyer les ventilateurs fréquemment.

Que faire en cas d'un incendie de graisse sur la cuisinière

- ÉTOUFFER LES FLAMMES à l'aide d'un couvercle hermétique, une plaque à biscuits ou un plateau métallique, puis fermer le rond ou le brûleur. GARDER LES MATÉRIAUX INFLAMMABLES OU COMBUSTIBLES LOIN DES FLAMMES. Si les flammes ne s'éteignent pas immédiatement, ÉVACUER LA ZONE ET APPELER LE SERVICE D'INCENDIE ou le 911.
- NE JAMAIS SOULEVER UNE CASSEROLE EN **FEU** - Il y a risque de brûlure.
- NE PAS UTILISER D'EAU incluant serviettes ou linges à vaisselle mouillés - cela provoquerait un violent jet de vapeur.
- Utiliser un extincteur SEULEMENT si:
 - a) vous possédez un extincteur de classe A, B ou C et si vous savez vous en servir ;
 - b) le feu est petit et est contenu dans la zone de départ ;
 - c) vous avez appelé le service d'incendie ;
 - d) vous pouvez combattre le feu le dos près d'une sortie.

Que faire si une odeur de gaz se dégage

- Éteindre toute flamme nue.
- Ne pas essayer d'allumer des lumières ou tout type d'appareil électroménager.
- Ouvrir toutes les portes et fenêtres afin de chasser le gaz. Si une odeur de gaz est toujours perceptible, appeler votre fournisseur de gaz ainsi que le service d'incendie immédiatement.

⚠ ATTENTION !

- 1) Cette hotte doit être utilisée uniquement pour une ventilation normale. Ne pas s'en servir pour évacuer des substances et vapeurs dangereuses ou explosives.
- 2) Afin de réduire les risques d'incendie, employer seulement des conduits de métal. Il doit y avoir suffisamment d'air pour une combustion et une évacuation des gaz appropriées par le conduit de fumée (cheminée) afin d'éviter le refoulement d'air.
- 3) Suivre les directives et les consignes de sécurité des fabricants d'équipement de chauffage comme celles publiées par le *National Fire Protection Association (NFPA)* et l'*American Society for Heating, Refrigeration and Air Conditioning Engineers (ASHRAE)* de même que les codes en vigueur.
- 4) L'activation de tout interrupteur peut provoquer l'allumage ou une explosion.
- 5) En raison de la taille et du poids de la hotte, il est recommandé que deux personnes participent à l'installation.

⚠ AVERTISSEMENT



RISQUE DE CHOC ÉLECTRIQUE - Pouvant entraîner la mort ou des blessures graves. Couper l'alimentation électrique à l'appareil avant tout entretien ou toute réparation. Si la hotte est munie d'une ampoule fluorescente, cette dernière contient une petite quantité de mercure et, en conséquence, elle doit être recyclée ou éliminée conformément aux codes locaux, provinciaux et fédéraux qui s'appliquent

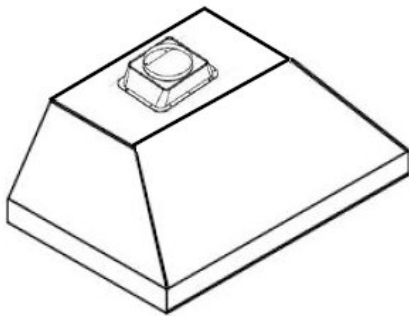
CONTENU DE L'EMBALLAGE

(Pour tout retour ou remboursement, veuillez conserver tout le matériel ainsi que l'emballage d'origine)

Boîte de la hotte

- {A} Hotte de cuisinière KOBE
- {B} Carte d'enregistrement de garantie
- {C} Manuel d'instructions(CD)
- {D} Filtre défecteur – 2 (36”), 3 (42”, 48”)
- {E} Récipient à graisse – 1
- {F} Entretoise en acier inoxydable – 2 (Pour 36” ou 48” seulement)
- {G} Télécommande – 1

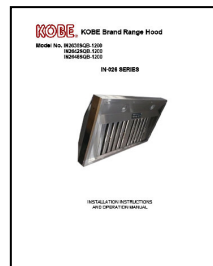
{A}



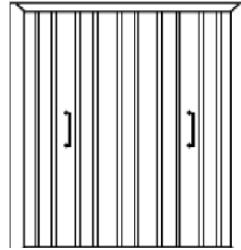
{B}

WARRANTY REGISTRATION CARD MODEL NO. _____ SERIAL NO. _____ DATE OF PURCHASE _____ INSTALLER'S NAME _____ ADDRESS _____ CITY _____ STATE _____ ZIP _____ PHONE NO. _____ FAX NO. _____ E-MAIL _____ SIGNATURE OF HOMEOWNER _____ DATE OF SIGNATURE _____ PLEASE PRINT CLEARLY AND LEGIBLY. DO NOT SIGN IF YOU ARE NOT THE HOMEOWNER. KOBE RANGE HOODS ALL APPLIANCES ARE BUILT TO LAST. TESTED, TIGHT AND INSPECTED TO THE HIGHEST PROFESSIONAL STANDARDS. MODEL NO. _____ SERIAL NO. _____ LOW VOLT _____ PERFORMANCE TESTED _____ TUNE UP CHECKED _____ IF YOU HAVE ANY QUESTIONS, PLEASE CONTACT OUR CUSTOMER SERVICE AT 1-800-755-3333 OR WWW.KOBERANGEHOODS.COM	
---------------------------------------------------------------------------------------------------------------------------------------------------------------------------------------------------------------------------------------------------------------------------------------------------------------------------------------------------------------------------------------------------------------------------------------------------------------------------------------------------------------------------------------------------------------------------------------------------------------------------------------------------------------------------------------------------------------------------------	--

{C}



{D}



{E}



{F}



{G}



(Piles AAA non incluses)

- Pour de plus amples informations, veuillez visiter notre site web au www.KOBERangeHoods.com ou contactez KOBE RANGE au (626) 775-8880.

INSTALLATION

VEUILLEZ LIRE LES INSTRUCTIONS AU COMPLET AVANT L'INSTALLATION

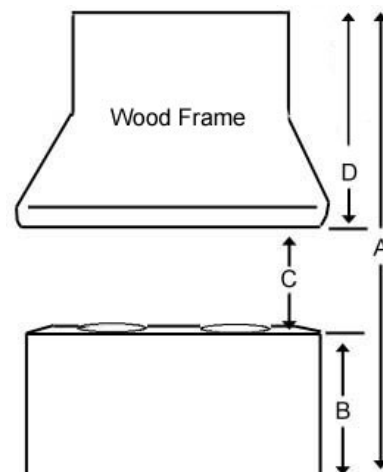
Prise de mesures avant l'installation

Pour calculer les mesures, veuillez vous référer au TABLEAU 1. (Toutes les mesures sont données en pouces).

- HOTTE INSTALLÉE SOUS UNE ARMOIRE -

TABLEAU 1

- A. = Hauteur entre le plancher et le plafond
- B. = Hauteur entre le plancher et le plan de travail (hauteur standard : 36 po)
- C. = **Hauteur désirée entre le plan de travail et le dessous de la hotte**(dégagement recommandé : de 27 po à 30 po)
- D. = Hauteur du cadre en bois



⚠️ CONSIGNES DE SÉCURITÉ

LES HOTTES PEUVENT AVOIR DES BORDS TRÈS TRANCHANTS; VEUILLEZ PORTER DES GANTS DE PROTECTION, SI NÉCESSAIRE, POUR RETIRER DES PIÈCES LORS DE L'INSTALLATION, DU NETTOYAGE, DE L'ENTRETIEN ET DES RÉPARATIONS.

NOTE : FAIRE PREUVE DE PRÉCAUTION EN UTILISANT UN TOURNEVIS ÉLECTRIQUE PUISQUE CE DERNIER RISQUE D'ENDOMMAGER LA HOTTE.

Préparation avant l'installation

REMARQUE: POUR ÉVITER TOUT DOMMAGE À LA HOTTE, IL FAUT EMPÊCHER LES DÉBRIS DE PÉNÉTRER DANS L'OUVERTURE DE VENTILATION.

- Décidez de l'emplacement du conduit de ventilation de la hotte à l'extérieur. Reportez-vous à la Figure 1.
- Un conduit d'évacuation court et droit permettra à la hotte de fonctionner plus efficacement.
- Autant que possible, essayez d'éviter les raccords, les coudes et les longues sections de conduit, puisque ceux-ci peuvent réduire le rendement de la hotte.
- Brancher la hotte temporairement pour vérifier le bon fonctionnement avant l'installation.
- **Important: enlever la pellicule protectrice de la hotte, s'il y a lieu.**
- Utilisez du ruban adhésif pour sceller les joints entre les sections de tuyau.

⚠ AVERTISSEMENT : S'il est nécessaire de déplacer la cuisinière électrique pour installer la hotte, coupez d'abord l'alimentation électrique à cette cuisinière par le panneau de service. COUPEZ LE GAZ AVANT DÉPLACER UNE CUISINIÈRE À GAZ. Utilisez un revêtement protecteur pour protéger la surface de cuisson et / ou le revêtement de comptoir.

Figure 1

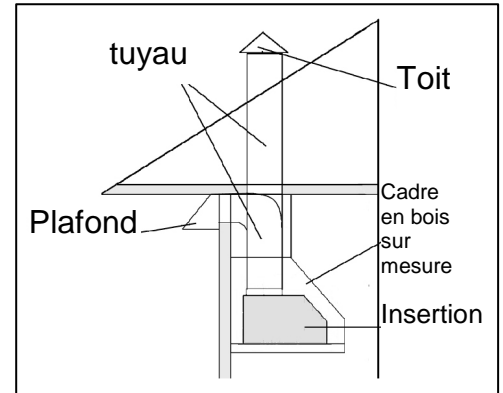
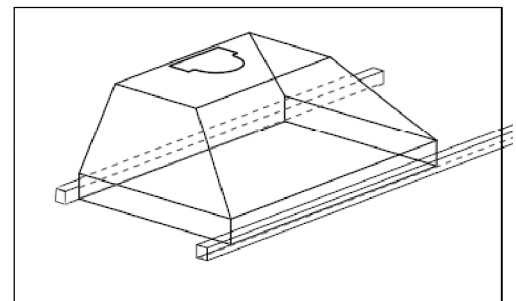


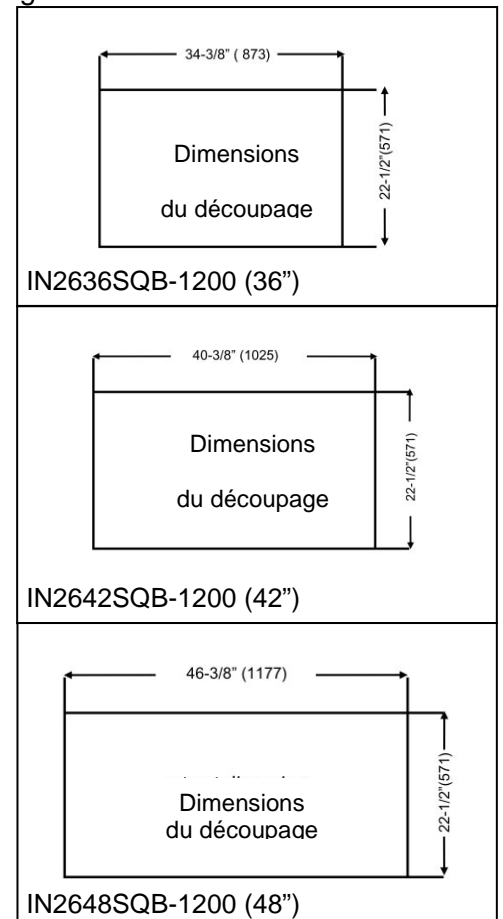
Figure 2



Préparation de la hotte sur mesure

1. Le cadre d'armoire doit être conçu en fonction de la forme et le poids de la hotte. Reportez-vous à Dimensions et schémas de la page 13-15.
2. Une base solide (un contreplaqué de $\frac{3}{4}$ pouce d'épaisseur recommandé) est nécessaire pour soutenir le poids de la hotte.
3. Il est recommandé d'installer des poteaux de support avant et arrière (non inclus). Reportez-vous à la figure 2. Pour des raisons de sécurité, les trous de fixation supplémentaire sur le côté de la hotte sont prévus. Préparer le goujon de support du côté si nécessaire.
4. Déterminer et marquer les axes sur la base de la charpente en bois où la hotte sera installée.
5. Déterminer l'emplacement approprié pour le câble d'alimentation. Faire un trou d'accès de câblage au moyen d'un foret. Installez le câble métallique et sceller l'espace autour du trou.
6. Découpez l'ouverture où la hotte sera installée. (Figure 3 pour les dimensions appropriées en fonction de la largeur de la hotte)

Figure 3



Préparation de la hotte avant l'installation

AVERTISSEMENT: S'il faut déplacer la cuisinière électrique pour installer la hotte, coupez d'abord l'alimentation

électrique à la cuisinière par le panneau de service.
COUPEZ LE GAZ AVANT DE DÉPLACER UNE CUISINIÈRE À GAZ. RISQUE DE CHOC ÉLECTRIQUE

CETTE HOTTE DE CUISINIÈRE DOIT ÊTRE FIXÉE ADÉQUATEMENT. ASSUREZ-VOUS DE LE FAIRE PAR UN ÉLECTRICIEN QUALIFIÉ CONFORMÉMENT AUX RÉGLEMENTATIONS NATIONALES ET LOCALES. AVANT DE BRANCHER DES FILS, COUPER LE COURANT ÉLECTRIQUE AU PANNEAU DE SERVICE ET VERROUILLER POUR ÉVITER QUE LE COURANT SOIT REMIS ACCIDENTELLEMENT.

7. Brancher la hotte temporairement pour vérifier le bon fonctionnement avant l'installation. Si la hotte ne fonctionne pas, vérifier le disjoncteur ou le fusible de la maison. Si la hotte ne fonctionne toujours pas, débrancher l'alimentation électrique et vérifier la continuité de toutes les connexions.
8. Si la hotte fonctionne normalement, connectez trois fils (noir, blanc et vert) aux fils de la maison et capuchon avec connecteurs.
9. Rangez les fils dans la boîte électrique.

Installation du système de conduits

10. Faites toutes les coupures nécessaires dans le mur ou au plafond pour l'installation des gaines puis fixez. Remarque: Installez les conduits avant d'installer l'insertion.
11. Utilisez un tuyau en acier de 8" pour raccorder les conduits de la hotte au réseau de gaines au-dessus. La hotte est fournie avec un rectangulaire à une transition ronde de 8 pouces (voir la figure 4). Utilisez du ruban adhésif entoilé pour fixer et sécuriser les raccords.
12. Veuillez vous référer aux codes locaux pour l'utilisation d'un amortisseur (non inclus).

Installation de la hotte

NOTE: N'UTILISEZ QUE DES OUTILS À MAIN. NE PAS TROP SERRER LES VIS, CELA POURRAIT ENDOMMAGER LA HOTTE.

13. Retirez le panneau lumineux en retirant les vis situées au bas de la hotte (8 vis pour 36 " et 42" et 11 vis pour 48 ") Reportez-vous à la figure 5. Retirez soigneusement le panneau d'appui léger.
14. Placez l'insertion à l'intérieur du cadre en bois et fixez l'insertion au support avant et arrière (voir figure 2) en utilisant les trous de montage avant et arrière (vis non incluses).
15. Pour une installation plus solide, utiliser les trous de fixation situés sur le côté de la hotte
16. Assurez-vous que l'insertion est solidement fixée avant de relâcher.
17. Réinstallez le panneau de soutien électronique. (Ne pas trop

Figure 4

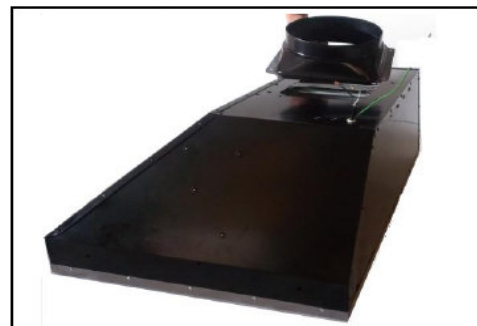


Figure 5

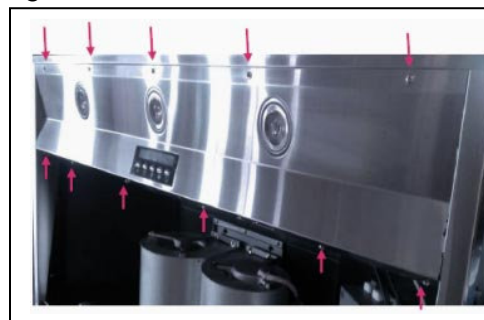


Figure 5

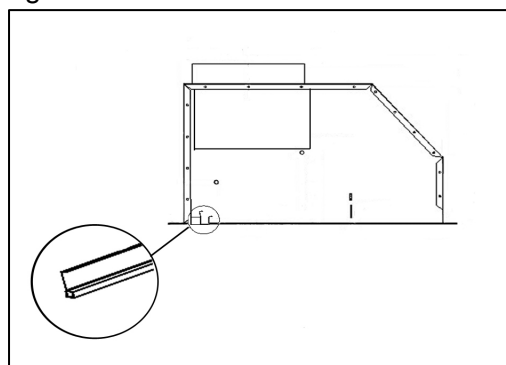
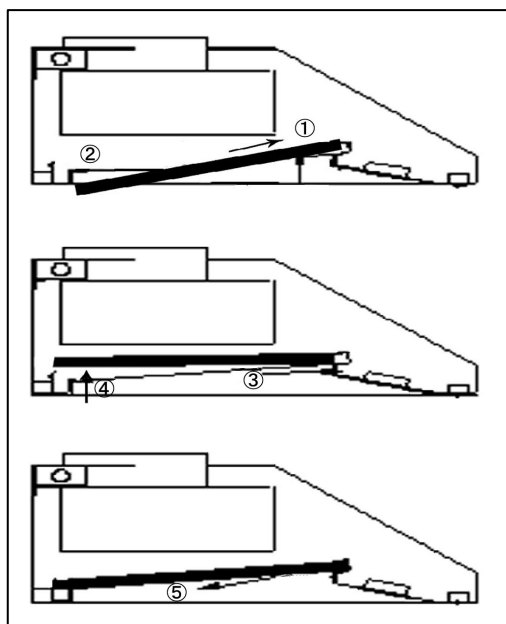


Figure 6



serrer les vis)



AVERTISSEMENT: S'ASSURER QUE LA HOTTE EST BIEN FIXÉE AVANT DE RELÂCHER.

Montage final

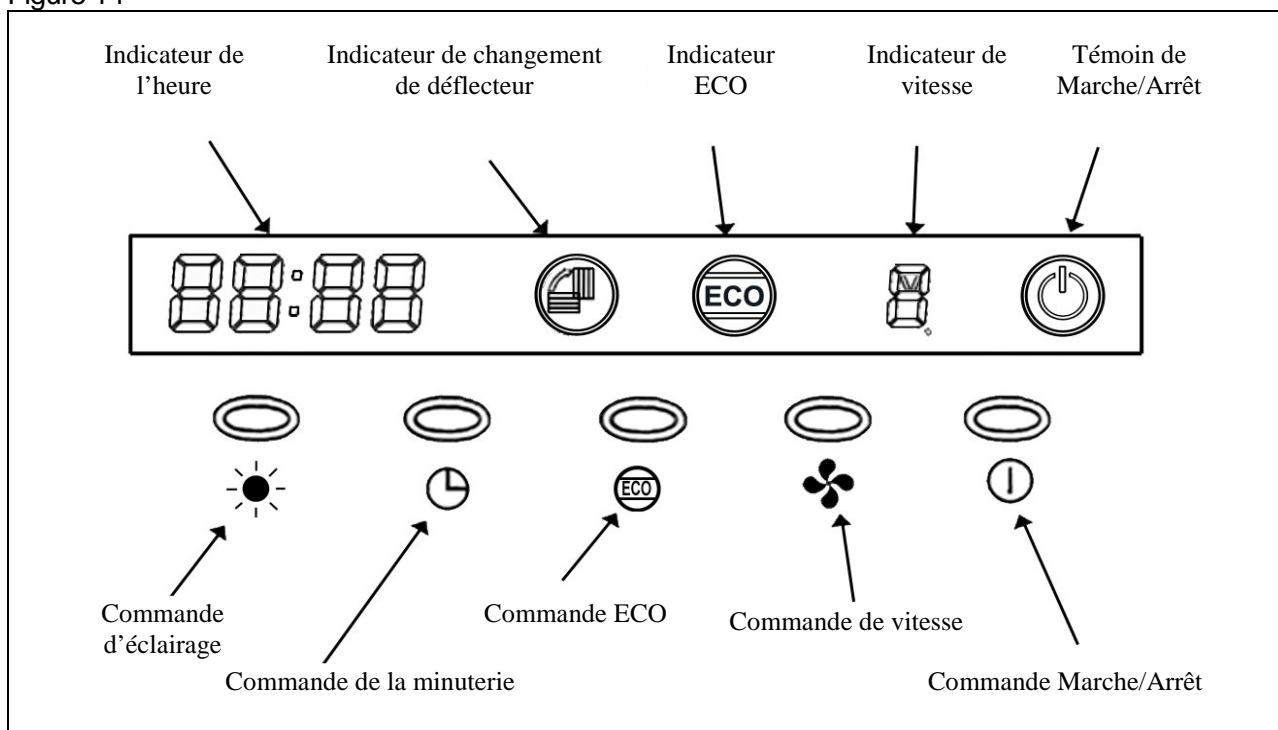
18. Installez le tunnel de l'huile dans le soutien cavité, à l'arrière de la hotte. Reportez-vous à la Figure 6.
19. Installez les filtres déflecteur. L'angle du filtre déflecteur vers l'arrière du capot ①. Poussez le filtre déflecteur jusqu'à un niveau égal ②. Glisser vers l'avant dans la cavité derrière le front des ③ capot. Abaissez le filtre déflecteur ④. Faire glisser jusqu'à ce qu'il soit en position de repos ⑤. Reportez-vous à la Figure 6.

CONSEIL D'USAGE

Cette hotte de cuisinière KOBE est munie d'un tableau à cinq boutons poussoirs électroniques à LED, une télécommande sans fil, un puissant ventilateur centrifuge à pales (cage d'écureuil) avec filtre déflecteur en acier inoxydable et deux lampes LED.

Les cinq boutons de commande correspondent à la commande Marche/Arrêt (On/Off), la commande de vitesse (élevé, moyen, basse et QuietMode™), la commande ECO, la commande de minuterie et la commande d'éclairage. Reportez-vous à la figure 14.

Figure 14



Remarque: Pour de meilleurs résultats, mettez la hotte au cycle QuietMode™ avant toute préparation ou cuisson. Ensuite, ajuster la vitesse selon vos besoins.

Commande Marche/Arrêt

Appuyez sur la commande Marche/Arrêt (On/Off) pour allumer ou éteindre la hotte.
L'élément affiché :



Commande d'arrêt d'un retard de 3 minutes

La commande d'arrêt d'un retard, arrête la hotte au bout de 3 minutes. Appuyez sur la commande d'alimentation pour activer Retard-Arrêter. L'indicateur de minuterie commencera automatiquement à décompter à partir des 3 minutes par défaut. Lorsque le temps est écoulé, l'appareil se met complètement hors tension.

Pour contourner la commande d'arrêt du retard de 3 minutes, appuyez sur la commande d'alimentation à nouveau pour éteindre complètement l'appareil.

Commande de vitesses

(Chaque fois que la commande vitesse est enfoncée, le cycle passe à la vitesse suivante: élevé, à moyenne, à basse et à QuietMode™)

L'élément affiché indique:



= Vitesse QuietMode™



= Vitesse basse



= Vitesse moyenne



= Vitesse élevée

Commande ECO

La fonction ECO sert à mettre la hotte sur QuietMode™ pendant 10 minutes à chaque heure afin d'éliminer tout excès d'humidité, de particules microscopiques et d'odeurs. Cela permet à la cuisine de garder une bonne qualité d'air.

La fonction ECO est une fonction indépendante de la fonction alimentation (électrique).

Pour activer ECO lorsque l'appareil est hors tension, appuyez sur la Commande ECO. L'icône ECO s'affichera pour indiquer qu'elle est activée. Pour la désactiver, appuyez sur la Commande ECO de nouveau. L'icône s'éteindra, indiquant qu'elle a été désactivée.

Pour activer ECO lorsque l'appareil est sous tension, appuyez sur le Commande ECO. L'icône ECO s'affichera, indiquant ainsi qu'elle a été activée. **Pour qu'ECO fonctionne, l'appareil doit être désactivé.** Si le ventilateur est en marche, le mettre hors tension en appuyant sur la commande d'alimentation électrique. Ensuite, appuyez sur le bouton de la commande d'alimentation électrique de nouveau pour éteindre l'appareil. Une fois que l'appareil est hors tension, l'icône ECO restera affichée pour indiquer qu'elle est active. Pour la désactiver, appuyez sur la commande ECO de nouveau. L'icône s'éteindra, indiquant qu'elle a été désactivée.

REMARQUE: Il faut ouvrir portes ou fenêtres pour qu'il y ait suffisamment d'air d'appoint quand ECO est en marche.

Affichage quand ECO est en marche



Commande de l'éclairage

(La commande de l'éclairage fonctionne de façon indépendante de la commande Marche/Arrêt (On/Off). La mise hors tension n'éteint pas automatiquement les lampes.)


Appuyez sur Commande d'éclairage pour allumer les lumières . Appuyez sur Commande d'éclairage à nouveau pour assombrir les lumières. Appuyez sur Commande d'éclairage à nouveau pour éteindre les lumières.

Commande de minuterie

La commande de minuterie permet aux utilisateurs de mettre automatiquement hors tension le ventilateur de leur hotte. L'intervalle de temps de la minuterie est de 1 minute à 99 minutes.

Pour activer la commande de minuterie, le ventilateur doit être mis sur un cycle (élevé, moyen, bas ou QuietMode™). Appuyez sur la commande de minuterie. L'indicateur de temps sur l'écran d'affichage clignotera. Régler l'heure désirée en appuyant sur la commande de minuterie; chaque fois que vous appuyez sur la commande, le temps avancera d'une minute. Lorsque vous avez terminé le réglage, la commande de minuterie commencera automatiquement le compte à rebours.

Indicateur de changement de déflecteur

Cet affichage  indiquera quand les filtres déflecteurs doivent être nettoyés. Appuyez et maintenez la commande de Marche/Arrêt (On/Off) pendant 5 secondes pour réinitialiser l'indicateur de changement de déflecteur.

Télécommande

Les six boutons de commande de la télécommande sans fil sont : la commande Marche/Arrêt (On / Off), la commande d'éclairage, la commande de minuterie, la commande ECO et la commande de vitesse (élevée, moyenne, basse ou QuietMode™).

REMARQUE: Nécessite 2 piles AAA (non incluses)



Commande Marche/Arrêt

Appuyez sur la commande Marche/Arrêt (ON/OFF) pour allumer ou éteindre la hotte.

Commande d'arrêt d'un retard de 3 minutes

La commande d'arrêt d'un retard, arrête la hotte au bout de 3 minutes. Appuyez sur la commande d'alimentation pour activer Retard-Arrêter. L'indicateur de minuterie commencera automatiquement à décompter à partir des 3 minutes par défaut. Lorsque le temps est écoulé, l'appareil se met complètement hors tension. Pour contourner la commande d'arrêt du retard de 3 minutes, appuyez sur la commande d'alimentation à nouveau pour éteindre complètement l'appareil.

Commande de l'éclairage

(Les lampes sont contrôlées indépendamment de la commande Marche/Arrêt (ON/OFF). La mise hors tension de la hotte ne fera pas éteindre les lumières.)

Appuyez sur Commande d'éclairage pour allumer les lumières . Appuyez sur Commande d'éclairage à nouveau pour assombrir les lumières. Appuyez sur Commande d'éclairage à nouveau pour éteindre les lumières.

Speed Control

Commande de vitesse

Appuyez sur la commande de vitesse pour activer le ventilateur. Le ventilateur commencera à la vitesse élevée. Chaque fois que le bouton est enfoncé, vous passerez à une vitesse différente.

Appuyez sur ▼ pour le cycle de vitesse élevé, à moyen, à bas, à QuietMode™.

Appuyez sur ▲ pour le cycle de vitesse de élevé, à QuietMode™, à bas, à moyen.

Appuyez sur la commande Marche/Arrêt (ON/OFF) pour arrêter le ventilateur.

Appuyez sur Contrôle de l'alimentation pour activer le retard de 3 minutes.

Commande de minuterie

Pendant que le ventilateur est en marche, appuyez sur le de contrôle de minuterie pour activer la minuterie. L'indicateur de temps clignotera, indiquant qu'il est prêt à être configuré.

Utilisez les flèches directionnelles pour définir le temps souhaité.

Lorsqu'activé, chaque fois que le bouton ▼ est enfoncé, le minuteur diminue de 1 minute tandis que chaque fois que le bouton ▲ est enfoncé, le minuteur augmente de 1 minute.

Lorsque vous avez terminé la mise en temps voulu, la minuterie commence automatiquement à décompter ou appuyez sur le contrôle de minuterie pour commencer immédiatement le compte à rebours.

Si le bouton de la commande de la vitesse/minuterie (▼OU ▲) n'est pas enfoncé à l'intérieur d'un délai de 6 secondes, l'appareil quittera automatiquement le mode minuterie et les flèches ▼ et ▲ basculeront à la fonction commande de vitesse.

Commande ECO

Pour activer ECO lorsque l'appareil est hors tension, appuyez sur la commande ECO. L'icône ECO s'affiche pour indiquer qu'il est actif. Pour la désactiver, appuyez sur la commande ECO à nouveau. L'icône s'éteint, ce qui indique qu'il a été désactivé.

Pour activer la commande ECO lorsque l'appareil est en fonction, appuyez sur la commande ECO. L'icône ECO s'affichera. **Pour qu'ECO fonctionne, l'appareil doit être éteint.** Si le ventilateur est en marche, le mettre hors tension en appuyant sur la commande Marche/Arrêt (ON/OFF), puis appuyez sur la commande Marche/Arrêt (ON/OFF) à nouveau pour éteindre l'appareil. Une fois que l'appareil est hors tension, l'icône ECO restera affiché pour indiquer que la commande activée. Pour la désactiver, appuyez sur la commande ECO à nouveau. L'icône va s'éteindre, indiquant que la commande a été désactivée.

ENTRETIEN PRÉVENTIF

Pour des performances optimales, nettoyez la surface de la hotte et déflecteurs régulièrement.

Nettoyage des surfaces de la hotte

AVERTISSEMENT: NE JAMAIS EMPLOYER DE NETTOYANTS OU LINGES ABRASIFS, OU ENCORE DE LAINES.

*** Un entretien fréquent aidera à conserver une belle apparence à la hotte.

6. Utiliser uniquement du savon doux ou du détergent liquide. Sécher les surfaces avec un chiffon doux.
7. Si la hotte est tachée (hotte en acier inoxydable), utilisez un nettoyant pour acier inoxydable pour nettoyer les surfaces de la hotte. Évitez de mettre du nettoyant sur le panneau de commandes. Suivez les instructions du nettoyant pour acier inoxydable. **Avvertissement: Ne jamais laisser de nettoyant durant une longue période de temps, ce qui pourrait endommager la finition de la hotte.** Utilisez un chiffon doux pour enlever tout résidu de solution nettoyante, frotter légèrement toute tache tenace. Sécher la hotte avec un chiffon doux.
8. NE PAS laisser les dépôts s'accumuler durant de longues périodes de temps sur la hotte.
9. NE PAS utiliser de laines ou de brosses à récurer ordinaires. Des particules d'acier peuvent adhérer à la surface et la faire rouiller.
10. NE PAS permettre à des solutions salines, des désinfectants, des javellisants ou des agents nettoyants de rester en contact avec de l'acier inoxydable durant de longues périodes. Plusieurs de ces nettoyants contiennent des produits chimiques pouvant causer du tort à l'acier inoxydable. Après tout contact de ce type de produit, rincer à l'eau et séchez avec un chiffon doux.

Nettoyage des filtres déflecteurs/récupérateur de graisse

ATTENTION: Vidangez l'huile du filtre déflecteur, les entretoises et tunnels d'huile régulièrement pour éviter le débordement.

1. Retirez tous les filtres déflecteurs, les entretoises et le tunnel d'huile.
2. À l'aide d'une éponge, lavez avec de l'eau chaude savonneuse. Laissez sécher complètement avant de remettre en place.

CAUTION: SHARP EDGES

(Note: les filtres déflecteurs peuvent être nettoyés en toute sécurité dans le haut du lave-vaisselle)

SPÉCIFICATIONS

Modèle/Format	IN2636SQB-1200 / 36" IN2642SQB-1200 / 42" IN2648SQB-1200 / 48"			
Couleur	Acier inoxydable			
Consommation/Ampère	580W / 5.0A			
Voltage	120V 60Hz			
Nombre de moteurs	2			
Type de ventilateur: Centrifugé	Double cage d'écureuil horizontale			
Évacuation :	Transition supérieur rectangulaire à une manche 8 pouces			
Commandes	5 boutons-poussoirs à voyant LED - contrôle de minuterie, - Commande d'arrêt d'un retard de 3 minutes - Télécommande - Commande Eco			
Lampes	2 ampoules LED de 3W – 36", double niveau 3 ampoules LED de 3W – 42" & 48", double niveau			
Dimensions de hotte (L x P x H)	(IN2636SQB-1200) 34-3/8" x 22-1/2" x 12" (IN2642SQB-1200) 40-3/8" x 22-1/2" x 12" (IN2648SQB-1200) 46-3/8" x 22-1/2" x 12"			
Poids (lbs)		<u>Net</u>	<u>Brut</u>	
	IN2636SQB-1200	57lbs	69.5lbs	
	IN2642SQB-1200	62lbs	72lbs	
	IN2648SQB-1200	66lbs	81.5lbs	
Capacité du ventilateur (cfm)	QuietMode™	Bas	Moyen	Élevé
	350	475	900	1200
Sone*	1.6	2.8	7.0	8.0
dB	46.5	53.5	67.5	70.0

* Un sone équivaut à 40 décibels.

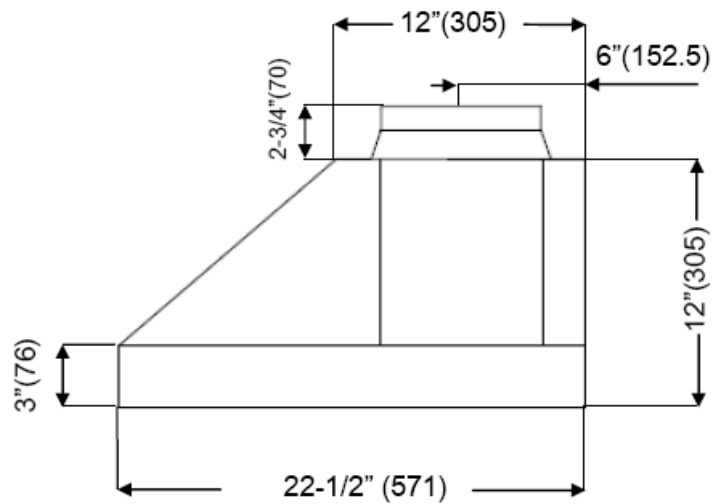
** Les spécifications ci-dessus sont sujettes à des changements sans préavis.

MESURES ET SCHEMAS

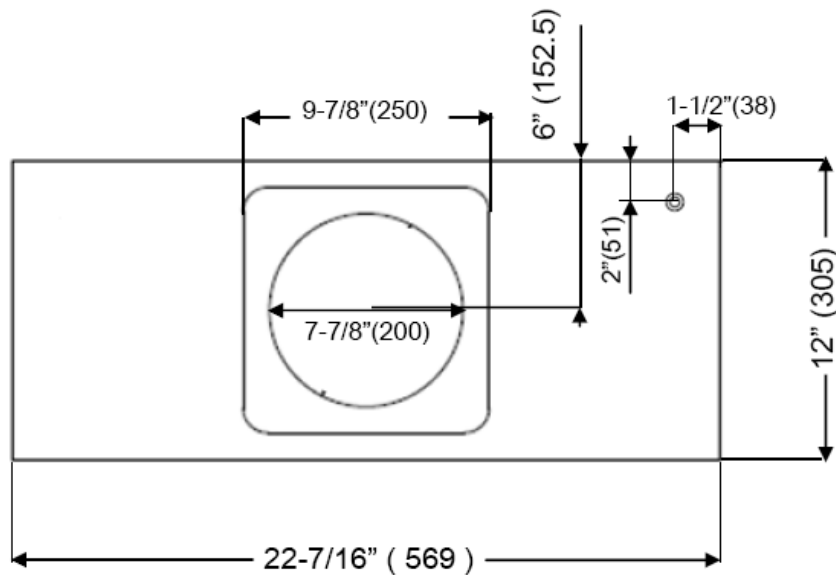
- ◆ Toutes les mesures entre parenthèses () sont en millimètres
- ◆ Toutes les mesures en pouces sont converties à partir du millimètre. Les mesures sont des estimés.

N°MODÈLE : IN2636SQB-1200
IN2642SQB-1200
IN2648SQB-1200

Vue de côté

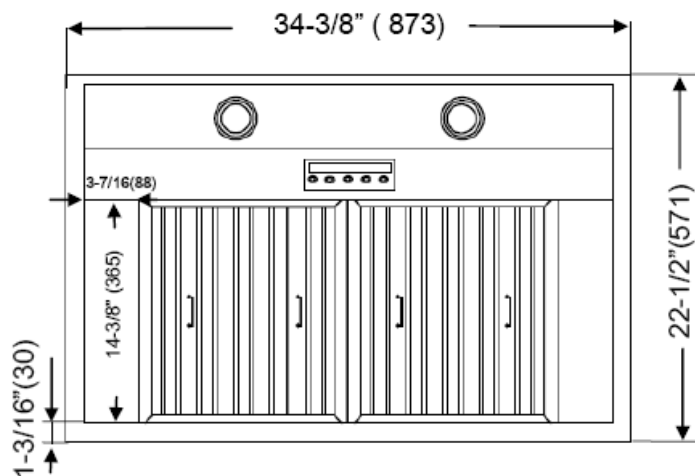


Vue de dessus

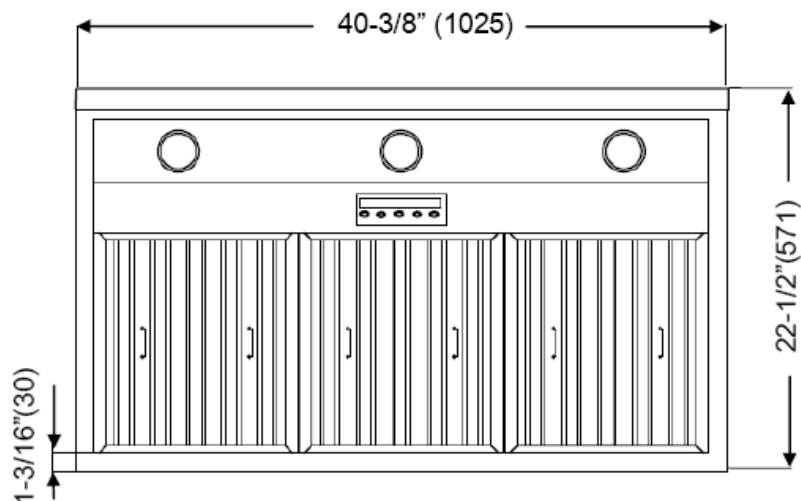


Vue de dessous

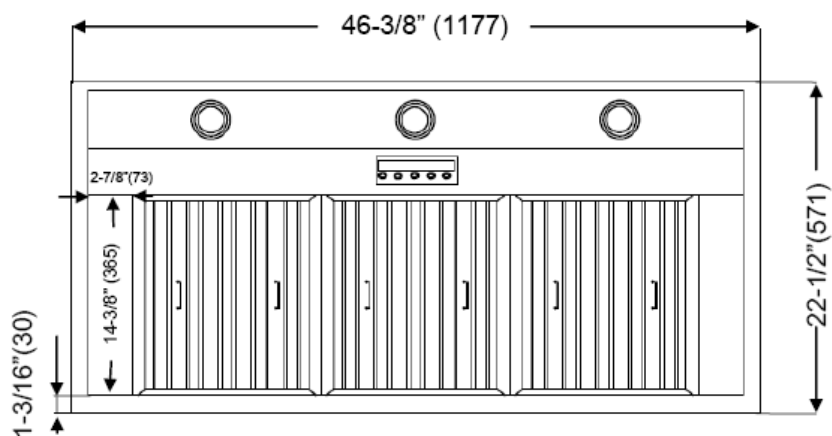
N°MODÈLE : IN2636SQB-1200 (36")



N°MODÈLE : IN2642SQB-1200 (42")

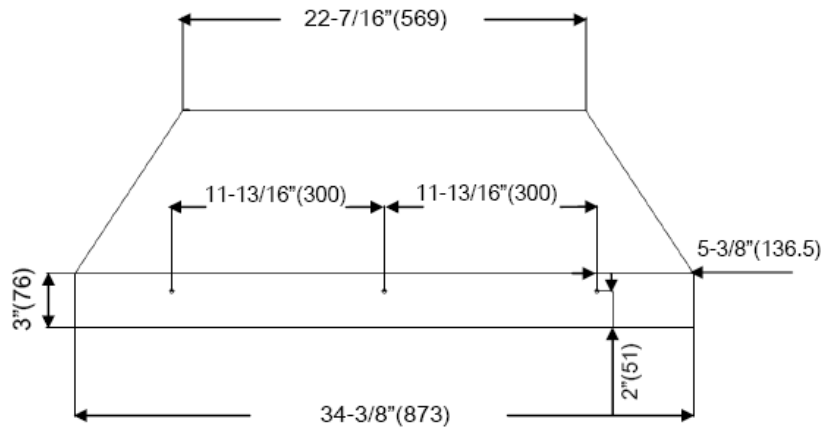


N°MODÈLE : IN2648SQB-1200 (48")

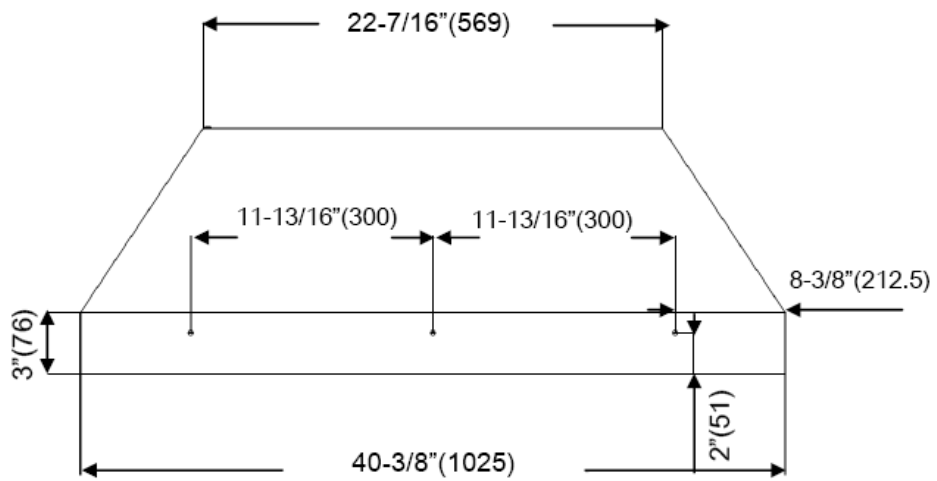


Vue de face

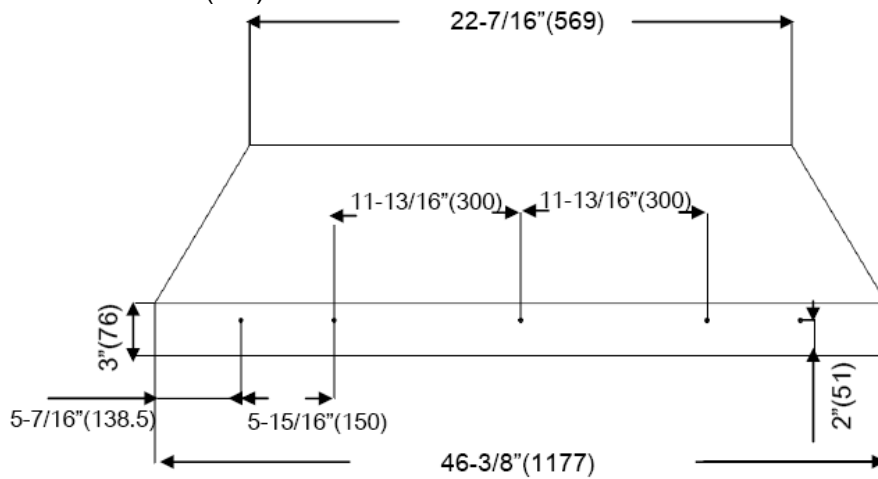
N° MODÈLE : IN2636SQB-1200 (36")



N° MODÈLE : IN2642SQB-1200 (42")



N° MODÈLE : IN2648SQB-1200 (48")



LISTE DES PIÈCES

N° MODÈLE : IN2636SQB-1200(36")
 : IN2642SQB-1200(42")
 : IN2648SQB-1200(48")

NO.	DESCRIPTION	Modèle/Format	N° de la pièce
1	Conduits transitoire		L1-0242-3630
2	Capot de la hotte	IN2636SQB-1200	10-2636-1200
		IN2642SQB-1200	10-2642-1200
		IN2648SQB-1200	10-2648-1200
3	Carte processeur		FA-18880-0401-B3
4	Condensateur		L1-0401-0120-01
5	Support de composant électrique		L1-0201-2630
6	Support de moteur		L1-0105-2636-D
7	Support du ventilateur		L1-0302-A120-01
8	Revêtement pour la base	IN2636SQB-1200	B101-2636-09-12
		IN2642SQB-1200	B101-2642-09-12
		IN2648SQB-1200	B101-2648-09-12
9	Support de filtre défecteur	IN2636SQB-1200	B101-2636-30-12
		IN2642SQB-1200	B101-2642-30-12
		IN2648SQB-1200	B101-2648-30-12
10	Récupérateur de graisse	IN2636SQB-1200	B101-2636-28-12
		IN2642SQB-1200	B101-2642-28-12
		IN2648SQB-1200	B101-2648-28-12
11	Bague d'écartement en acier inoxydable	IN2636SQB-1200	B101-2636-24
		IN2648SQB-1200	B101-2648-24
12	Filtre défecteur		L1-0214-0191
13	Support de l'unité de commande		L1-0207-2630
14	Unité de commande		FA-18880-0401-A3
15	Panneau de lampe Panneau de lampe Panneau de lampe	IN2636SQB-1200	B101-2636-06-12
		IN2642SQB-1200	B101-2642-06-12
		IN2648SQB-1200	B101-2648-06-12
16	Lampe LED (3W)		L1-0403-0001

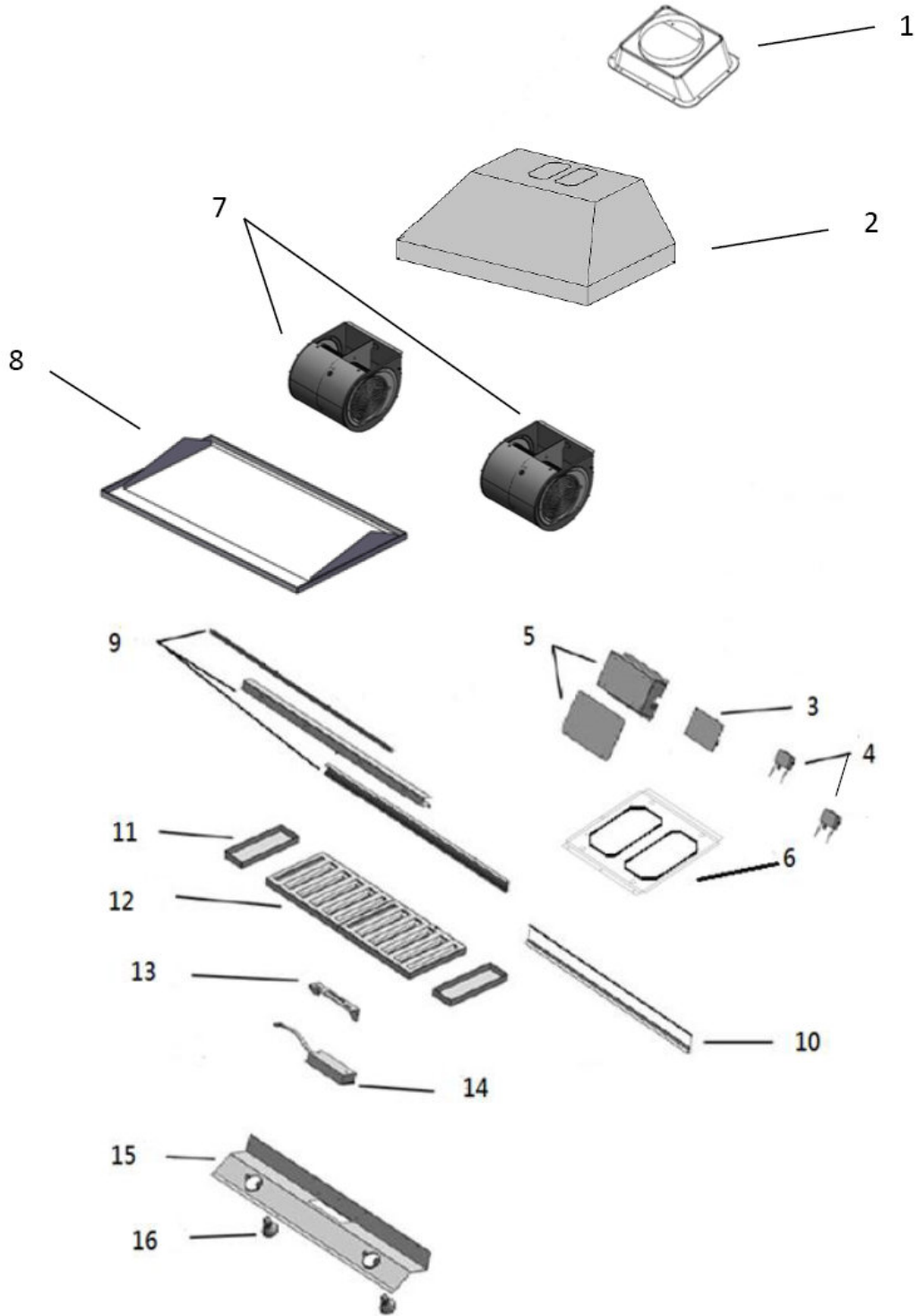
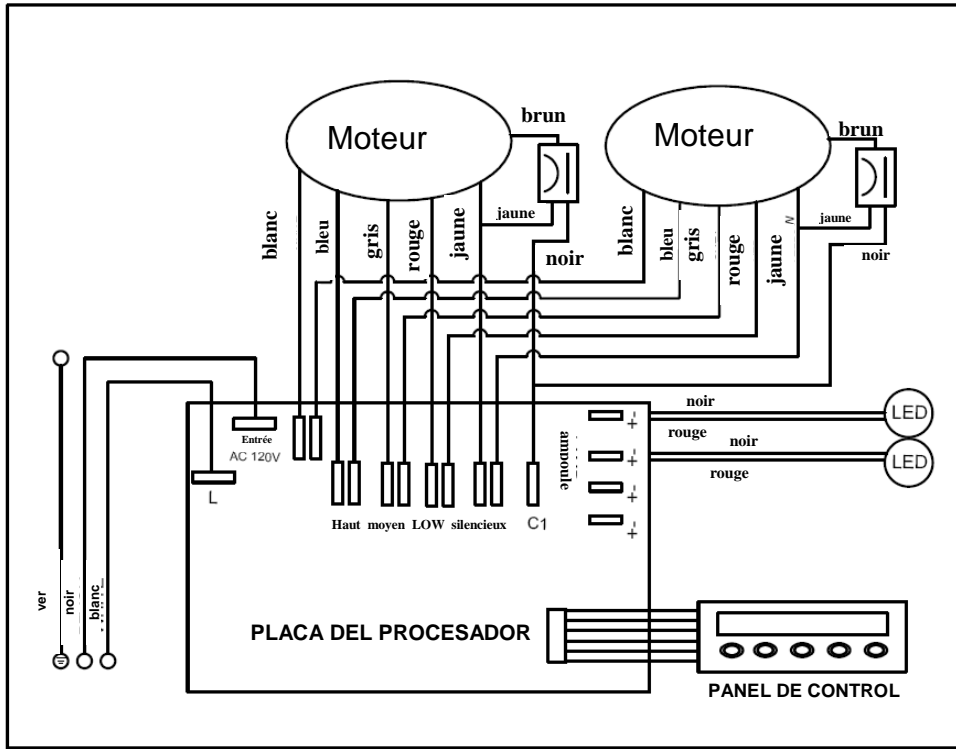
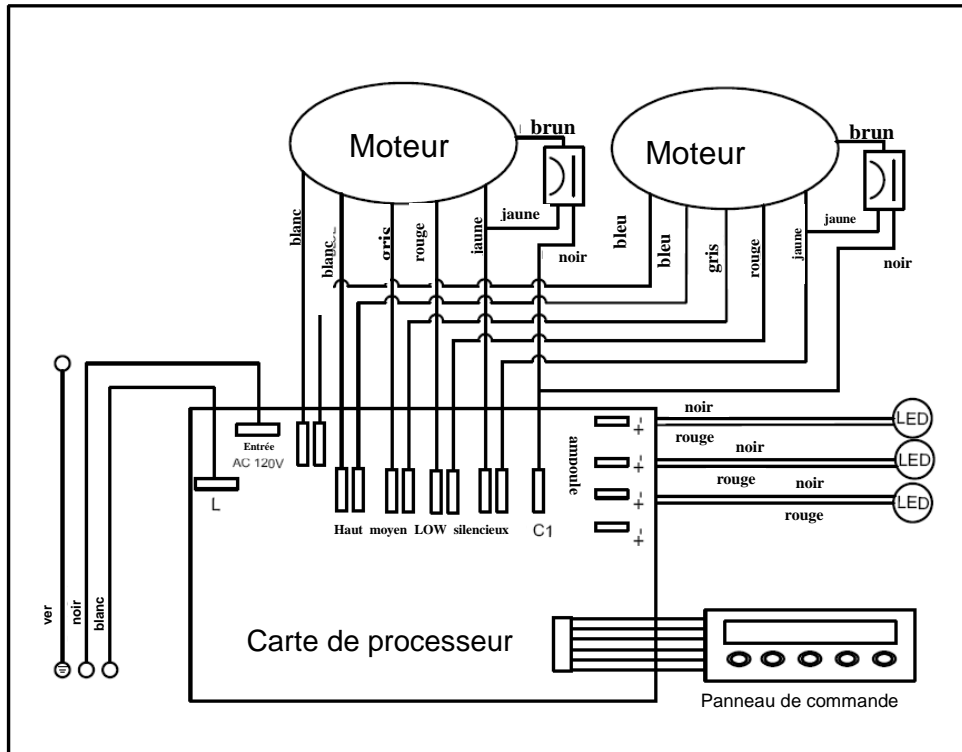


SCHÉMA DU CIRCUIT

N° modèle : IN2636SQB-1200 (36")



N° modèle : IN2642SQB-1200 (42")
IN2648SQB-1200 (48")



DÉPANNAGE

Problème	Cause probable	Solution
Après l'installation, le moteur et les lumières ne fonctionnent pas.	Pas d'alimentation électrique	Assurez-vous que le disjoncteur et que l'alimentation électrique soient en marche. Utilisez un voltmètre pour vérifier l'alimentation électrique
	Le câble de connexion n'est pas sécurisée.	Vérifier et serrer les connexions de fils.
	Le panneau de commande et le câblage de la carte processeur sont débranchés	Vérifier le câblage au complet à partir du panneau de commande jusqu'à la carte processeur.
	Le panneau de commande ou la carte processeur est défectueux.	Remplacez le panneau de commande ou la carte processeur.
Les lumières fonctionnent, mais pas le(s) moteur(s)	Le(s) moteur(s) est (sont) défectueux.	Remplacer le(s) moteur(s).
	Le(s) condensateur (s) est (sont) défectueux.	Remplacez le(s) condensateur(s).
	Le panneau de commande ou la carte processeur est défectueux.	Remplacez le panneau de commande ou la carte processeur.
Le(s) moteur (s) est (sont) fonctionne(nt), mais pas la (les) lumière(s)	La (les) lampe(s) LED est (sont) défectueuse(s).	Remplacez la (les) lampe(s) LED.
	Le transformateur de lumière LED est défectueux.	Remplacez le transformateur de lumière LED.
	Le panneau de commande ou la carte processeur est défectueux.	Remplacez le panneau de commande ou la carte processeur.
La hotte vibre	Le système de ventilation n'est pas bien installé.	Serrez la pale turbine / cage d'écureuil et le réservoir d'air.
	La pale turbine/cage d'écureuil n'est pas bien balancée.	Remplacez la pale turbine / cage d'écureuil.
	La hotte n'est pas assez bien serrée.	Vérifiez l'installation de la hotte, serrez le support de fixation.
La hotte ne ventile pas correctement	La hotte est installée hors des limites recommandées par le fabricant	Ajustez le dégagement entre la hotte et la table de cuisson pour qu'il soit de 27 "à 30". Pour une hotte sur l'îlot, le dégagement entre la hotte et la table de cuisson est de 30 "à 36".
	Il n'y a pas d'air d'appoint à l'intérieur de la maison.	Ouvrez la fenêtre pour améliorer la performance de la hotte en créant suffisamment d'air d'appoint.
	Un obstacle bloque la canalisation.	Retirez tout obstacle de la canalisation.
	La taille du tuyau est plus petite que celle suggérée.	Changez la canalisation en accord avec les suggestions du fabricant.
De l'air froid entre dans la maison.	La connexion du conduit n'est pas scellée correctement	Vérifiez l'installation du conduit.
	Le clapet n'est pas bien installé ou manque à l'installation.	Vérifiez l'installation du clapet.
	Le clapet n'est pas installé.	En installant le clapet, vous aiderez à éliminer le retour d'air.

GARANTIE

CERTIFICAT DE GARANTIE

KOBE (désigné ici par "nous" ou "notre") garantit à l'acheteur original (désigné ici par «vous» ou «votre») tous les produits sont fabriqués ou fournis par nous sont exempts de défaut de fabrication et de main-d'œuvre comme suit:

DEUX ANS DE GARANTIE LIMITÉE POUR LES PIÈCES ET MAIN D'OEUVRE LES SERIES KOBE PREMIUM:

Pendant deux ans à compter de la date de votre facture originale chez un concessionnaire agréé KOBE, nous allons, à notre seule discrétion, choisir de réparer ou de remplacer le produit gratuitement qui a échoué en raison de défauts de fabrication.

Il est de votre responsabilité exclusive de vous assurer que le produit est facilement accessible pour le technicien d'effectuer les réparations. **Le technicien de service ne va, en aucune circonstance, retirer, altérer ou modifier tout dispositif construit autour et/ou connecté à l'appareil, pour y accéder en vue d'effectuer des réparations.**

Au cours de la période de deux ans de garantie, des frais supplémentaires peuvent s'appliquer et comprennent, mais ne sont pas limités à:

- Les frais de service de voyage technicien si le centre de service demandé est de 30 miles de la zone de service autorisé par KOBE
- Dépenses d'expédition des pièces
- Non-installation d'un produit défectueux et installation d'appareil de remplacement

UN AN DE GARANTIE LIMITÉE POUR PIÈCES SUR LES SERIES KOBE Brillia:

Pendant un an à compter de la date de votre facture originale chez un concessionnaire agréé KOBE, nous vous fournirons gratuitement, les pièces pour remplacer celles qui ont échoué en raison de défauts de fabrication. C'est notre seule discrétion, choisir de réparer ou de remplacer les pièces défectueuses. Il est de votre seule responsabilité pour tous les coûts de main-d'œuvre associées à cette garantie.

Exclusions de la garantie:

Cette garantie ne couvre pas, y compris, mais sans s'y limiter, ce qui suit:

- a. Une mauvaise installation.
- b. Toute réparation, altération, modification non autorisée par KOBE.
- c. Altération de conduit, ou de modification et connexion.
- d. Mauvaise alimentation électrique, tension ou câblage.
- e. L'entretien normal et les services requis pour le produit.
- f. Les pièces consommables comme les ampoules et les filtres de carbone.
- g. Utilisation non conforme du produit qui n'était pas prévue, comme l'utilisation commerciale, utilisation à l'extérieur et multi-usage familial.
- h. L'usure normale.
- i. Chips, rayures ou les bosses, ou de le mauvais usage du produit.
- j. Les dommages causés par un accident, un incendie, une inondation et d'autres forces majeures.
- k. Les frais engagés pour des services situés à l'extérieur de la zone de service.
- l. Les achats auprès des revendeurs non agréés.
- m. Frais d'enlèvement de produits défectueux et frais installation associés à un produit de remplacement.

Si nous déterminons que les exclusions de garantie indiquées ci-dessus s'appliquent ou si vous ne fournissez pas tous les documents nécessaires pour le service de garantie, vous serez responsable de

tous les frais associés à la prestation demandée, y compris les pièces, la main d'oeuvre, l'expédition, le déplacement et tous autres frais liés à la requête du service.

Pour le service sous garantie, vous devez:

1. Avoir la preuve d'achat originale
2. Être l'acheteur original du produit
3. Le numéro de modèle
4. Le numéro de série
5. Avoir une description de la nature de tout défaut dans le produit ou la pièce

POUR UN SERVICE DE GARANTIE, CONTACTEZ LE CENTRE DE SERVICE KOBE HOTTES:

CENTRE DE SERVICE KOBE

Tel: 1-855-800-KOBE (5623)

E-mail: kobe@adcoservice.com

FORMULAIRE D 'INFORMATION SUR LA GARANT

Remplissez les espaces vides et garder ce papier avec la facture originale dans un endroit sûr pour un service futur.

1. Date d'achat : _____

2. Numéro de modèle : _____

3. Numéro de série : _____

Pour le service de garantie ou achat de pièces, contactez:

CENTRE DE SERVICE KOBE

Numéro vert: 1-855-800-KOBE (5623)

Email: kobe@adcoservice.com

Pour signaler un problème, contactez:

Numéro vert: 1-877-BUY-KOBE (289-5623)

Email: customer.service@koberangehoods.com

Pour des informations sur les produits, contactez:

Numéro vert: 1-877-BUY-KOBE (289-5623)

Email: info@koberangehoods.com

Vos remarques:



KOBE Range Hoods
11775 Clark Street
Arcadia, CA 91006 USA

<http://www.KOBERangeHoods.com>

This KOBE hood is made for use in the USA and CANADA only. We do not recommend using this hood overseas as the power supply may not be compatible and may violate the electrical code of that country. **Using a KOBE hood overseas is at your own risk and will void your warranty.**

Cette hotte KOBE est fabriquée pour usage aux États-Unis et au Canada seulement. Il n'est pas recommandé d'utiliser cette hotte à l'étranger puisque l'alimentation électrique pourrait ne pas être compatible et enfreindre le code de l'électricité de ce pays. **L'usage de la hotte KOBE à l'étranger est à votre propre risque et la garantie sera annulée.**

Esta campana de extracción KOBE ha sido fabricada para ser utilizada únicamente en EE.UU. y CANADÁ. No recomendamos la utilización de esta campana en el extranjero debido a que la fuente de energía podría no ser compatible y podría violar el código eléctrico de dicho país. **Utilizar una campana KOBE en el extranjero será a su propio riesgo y anulará la garantía.**

Information subject to change without notice.

VER 130313