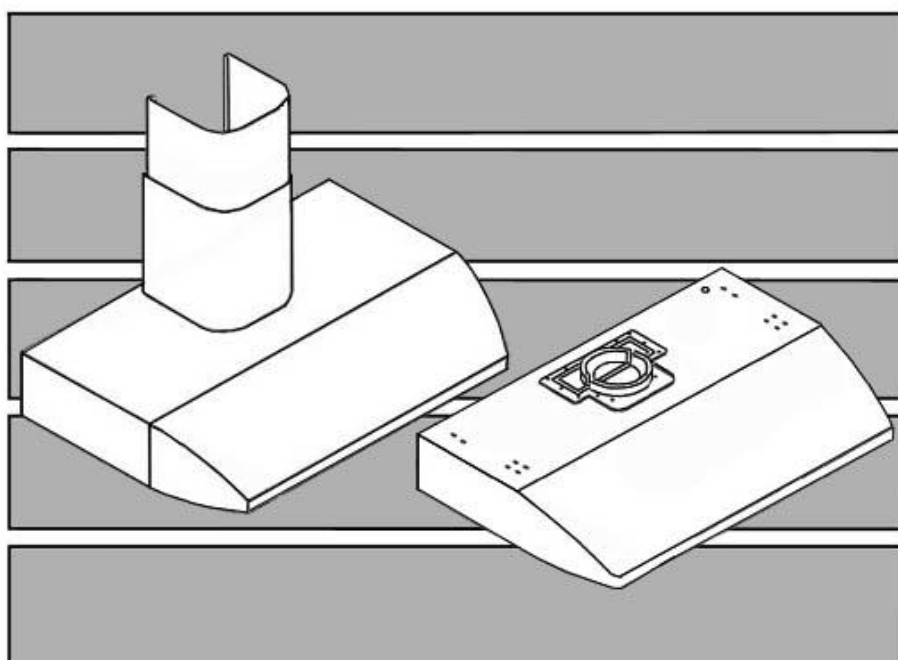


KOBE® **KOBE Brand Range Hood**

Model No. / N^{os} de modèles / Modelo No.

**CH2230SQB
CH2236SQB**

CH-122 SERIES – 6” HEIGHT



**INSTALLATION INSTRUCTIONS
AND OPERATION MANUAL**

**MANUEL D'INSTALLATION
ET MODE D'EMPLOI**

**INSTRUCCIONES DE INSTALACIÓN
Y MANUAL DE OPERACIÓN**

[ENGLISH] 2
[FRENCH] 34
[SPANISH] 64

IMPORTANT READ THIS FIRST

READ BEFORE INSTALLATION

1. Carefully check all contents of packages;
2. Thoroughly inspect the unit for any cosmetic damages or defects;
3. Test the unit before installation;
4. Have a certified contractor/electrician do the installation.

IF THERE IS ANY PROBLEM:

1. **DO NOT INSTALL THE UNIT AND KEEP ALL ORIGINAL PACKAGING MATERIAL.**
2. Have your original proof of purchase and product serial number ready.
3. Call 1-877-BUY-KOBE (289-5623); or e-mail to info@koberangehoods.com to report the problem.

NO RETURN, NO REFUND, NO EXCHANGE IF:

1. PRODUCT HAS BEEN INSTALLED
2. KNOCK-OUT HOLES HAVE BEEN PUNCTURED
3. MISSING ORIGINAL PACKAGING MATERIAL AND/OR PARTS

[ENGLISH]

- READ AND SAVE THESE INSTRUCTIONS -

CONTENTS

IMPORTANT SAFETY INSTRUCTIONS.....	3
COMPONENTS OF PACKAGE.....	5
INSTALLATION	6
OPERATING INSTRUCTIONS.....	19
MAINTENANCE	20
SPECIFICATIONS.....	22
MEASUREMENTS & DIAGRAMS.....	23
PARTS LIST	25
CIRCUIT DIAGRAM.....	27
TROUBLE SHOOTING	28
WARRANTY.....	Error! Bookmark not defined.
PRODUCT REGISTRATION.....	Error! Bookmark not defined.

- READ ALL INSTRUCTIONS CAREFULLY BEFORE STARTING -

ALL WIRING MUST BE DONE BY A PROFESSIONAL AND IN ACCORDANCE WITH NATIONAL AND LOCAL ELECTRICAL CODES



IMPORTANT SAFETY INSTRUCTIONS

- PLEASE READ THIS SECTION CAREFULLY BEFORE INSTALLATION -

⚠WARNING: TO REDUCE THE RISK OF FIRE, ELECTRIC SHOCK OR PERSONAL INJURY, OBSERVE THE FOLLOWING:

- 1) Installation and electrical wiring must be done by qualified professionals and in accordance with all applicable codes and standards, including fire-rated construction.
- 2) When cutting or drilling into wall or ceiling, be careful not to damage electrical wiring or other hidden utilities.
- 3) Ducted fans must be vented to the outside.
 - a) Before servicing or cleaning unit, open the light panel and SWITCH POWER OFF AT SERVICE PANEL.
 - b) Clean all grease laden surfaces frequently. To reduce the risk of fire and to disperse air properly, make sure to vent air outside. DO NOT vent exhaust air into wall spaces, attics, crawl spaces or garages.

NOTE - This warranty is void without an authorized agent's receipt or if unit is damaged due to misuse, poor installation, improper use, mistreatment, negligence or any other circumstances beyond the control of KOBE RANGE HOODS authorized agents. Any repair carried out without the supervision of KOBE RANGE HOODS authorized agents will automatically void the warranty.

- KOBE RANGE HOODS will not be held responsible for any damages to personal property or real estate or any bodily injuries whether caused directly or indirectly by the range hood.

⚠WARNING: TO REDUCE THE RISK OF PERSONAL INJURY IN THE EVENT OF A RANGE TOP GREASE FIRE:

1. Keep all fan, baffle/spacer/filter/oil tunnel/oil container and grease-laden surfaces clean. Grease should not be allowed to accumulate on fan, baffle/spacer/filter/oil tunnel/oil container.
2. Always turn hood ON when cooking.
3. Use high settings on cooking range ONLY when necessary.
4. Do not leave cooking range unattended when cooking.
5. Always use cookware and utensils appropriate for the type and amount of food prepared.
6. Use this unit only in the manner intended by the manufacturer.
7. Before servicing, switch power off at service panel and lock service panel (if possible) to prevent power from switching on accidentally.
8. Clean ventilating fan frequently.

What to Do In The Event Of a Range Top Grease Fire

- SMOTHER FLAMES with a tight fitting lid, cookie sheet, or metal tray, and then turn off the burner. KEEP FLAMMABLE OR COMBUSTIBLE MATERIAL AWAY FROM FLAMES. If the flames do not go out immediately, EVACUATE THE AREA AND CALL THE FIRE DEPARTMENT or 911.
- NEVER PICK UP A BURNING PAN – You May Get Burned.
- DO NOT USE WATER, including wet dishcloths or towels – a steam blast will result.
- Use an extinguisher ONLY if:
 - a) You have a Class A, B, C extinguisher and know how to operate it.
 - b) The fire is small and contained in the area where it started.
 - c) The fire department has been called.
 - d) You can fight the fire with your back to an exit.

What to Do If You Smell Gas

- Extinguish any open flame.
- Do not try to turn on the lights or any type of appliance.
- Open all doors and windows to disperse the gas. If you still smell gas, call the Gas Company and Fire Department right away.

⚠ CAUTION

- 1) For general ventilation use only. Do not use to exhaust hazardous or explosive materials and vapors.
- 2) To reduce the risk of fire, use only metal ductwork. Sufficient air is needed for proper combustion and exhausting of gases through the flue (chimney) to prevent back drafting.
- 3) Follow the heating equipment manufacturer's guideline and safety standards such as those published by the National Fire Protection Association (NFPA), and the American Society for Heating, Refrigeration and Air Conditioning Engineers (ASHRAE), and code authorities.
- 4) Activating any switch on may cause ignition or an explosion.
- 5) Due to the size and weight of this hood, installation by 2 persons is recommended.

⚠ WARNING



ELECTRICAL SHOCK HAZARD – Can result in serious injury or death. Disconnect appliance from electric power before servicing. If equipped, the fluorescent light bulb contains small amounts of mercury, which must be recycled or disposed of according to Local, State, and Federal Codes.

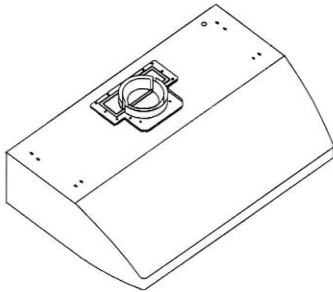
COMPONENTS OF PACKAGE

(Must keep all material for returns or refunds)

Range Hood Box

- {A} KOBE Range Hood – 1
- {B} Warranty Registration Card – 1
- {C} Instructions Manual – 1
- {D} Vent Cover (Top) – 1
- {E} Baffle Filters
 - 30" – 2
 - 36" – 3
- {F} Bottom Casing
 - 30" – 2

{A}



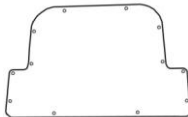
{B}



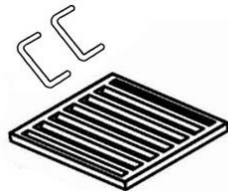
{C}



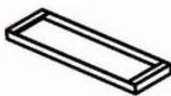
{D}



{E}



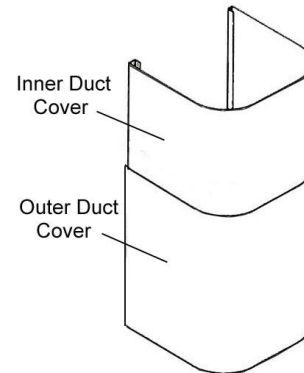
{F}



Duct Cover Box (Sold Separately)

- {G} Adjustable Duct Cover - 1
- {H} Screws Package – 1
- {I} Duct Cover-Mounting Bracket – 1
- {J} Hood-Mounting Bracket – 1

{G}

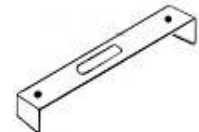


{H}



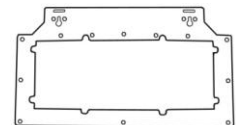
3/16" x 3/8" (9 pcs)

{I}



4 x 8 mm (8 pcs)

{J}



Rubber Stand (2 pcs)

- FOR MORE INFORMATION, PLEASE VISIT OUR WEBSITE www.KOBERangeHoods.com OR CONTACT KOBE RANGE HOODS AT (626) 775-8880.

INSTALLATION

PLEASE READ ENTIRE INSTRUCTIONS BEFORE PROCEEDING

Calculation before Installation

To calculate installation, please refer to TABLE 1. (All calculation in inches.)

- FOR UNDER THE CABINET -

<p>TABLE 1</p> <p>A = Height of Floor to Ceiling B = Height of Floor to Counter Top (Standard: 36") C = Preferred Height of Counter Top to Hood Bottom (Minimum 27" to 30") D = Height of Hood E = Height of the Cabinet</p>	<p>The diagram illustrates the under-cabinet installation. It shows a vertical cross-section of a kitchen cabinet and counter. The cabinet is labeled 'Cabinet' and has a height 'E'. Below the cabinet is a counter with a height 'B' from the floor to the top. A hood is mounted under the cabinet, with its bottom edge at a height 'C' from the floor. The hood has a height 'D'. The total height from the floor to the ceiling is labeled 'A'.</p>
---	---

- FOR WALL MOUNT (WITH OPTIONAL DUCT COVER) -

<p>TABLE 2</p> <p>A = Height of Floor to Ceiling B = Height of Floor to Counter Top (Standard: 36") C = Preferred Height of Counter Top to Hood Bottom (Minimum 27" to 30") D = Height of Hood E = Height of Duct Cover [F – D] F = Height of the Hood Installation [A – (B+C)]</p>	<p>The diagram illustrates the wall mount installation. It shows a vertical cross-section of a kitchen counter and ceiling. The counter has a height 'B' from the floor to the top. A hood is mounted on the wall above the counter, with its bottom edge at a height 'C' from the floor. The hood has a height 'D'. A duct cover is mounted on the wall above the hood, with a height 'E' from the top of the hood to the top of the duct cover. The total height from the floor to the ceiling is labeled 'A'. The height of the hood installation from the floor to the top of the duct cover is labeled 'F'.</p>
--	--

⚠ SAFETY WARNING

HOOD MAY HAVE VERY SHARP EDGES; PLEASE WEAR PROTECTIVE GLOVES IF REMOVING ANY PARTS FOR INSTALLING, CLEANING OR SERVICING.

NOTE: BE CAREFUL WHEN USING ELECTRICAL SCREWDRIVER, DAMAGE TO THE HOOD MAY OCCUR.

Installation Contents

UNDER THE CABINET	
Top Vent.....	7
Rear Vent.....	9
WALL MOUNT	
Top Vent.....	11
Rear Vent.....	14

UNDER THE CABINET INSTALLATION – TOP VENT

Preparation before Installation

NOTE: TO AVOID DAMAGE TO YOUR HOOD, PREVENT DEBRIS FROM ENTERING THE VENT OPENING.

- Decide the location of the venting pipe from the hood to the outside. Refer to Figure 1.
- A straight, short venting run will allow the hood to perform more efficiently.
- Try to avoid as many transitions, elbows, and long run as possible. This may reduce the performance of the hood.
- Temporarily wire the hood to test for proper operation before installing.
- Peel protective film off the hood (if any).
- For installing under the cabinet with recessed bottom, attach 4-inch wide wood filler strips (not included) on each side. Refer to Figure 2.
- Measure and create access opening for electrical wires under the cabinet.
- Cut the multi duct exhaust according to the size of the venting pipe. Refer to Figure 3.

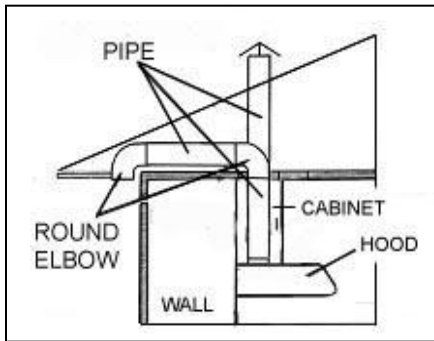


Figure 1

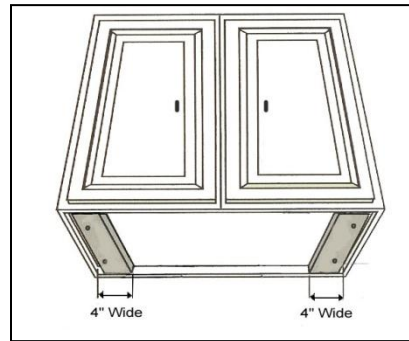


Figure 2

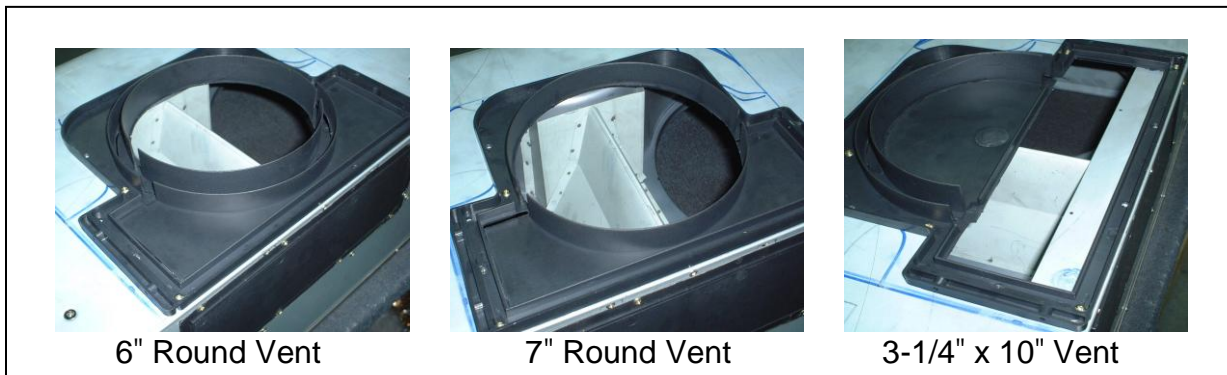


Figure 3

Hood Installation

CAUTION: If required to move the cooking range to install the hood, turn off the power on an electric range at the main electrical box. **SHUT OFF THE GAS BEFORE MOVING A GAS RANGE.**

1. Puncture the knockout holes on the hood as shown in Figure 4.
2. If necessary, arrange the electrical wires to run through the 1" diameter hole on the top or the rear of the hood. Refer to Figure 5.
3. Using references on Table 1 and measurements on Page 22 to center the hood in place beneath the cabinet and flush with the front of the cabinet.



Figure 4

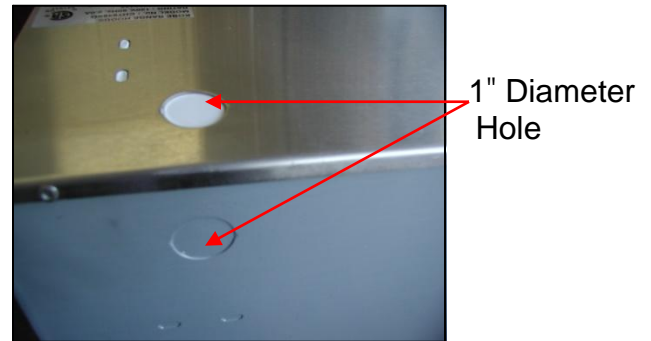


Figure 5

4. Draw electrical wires through cabinet access opening.
5. Place screw (not provided) into the exact center of each knockout hole. Make sure all screws are in place before tightening screws. **CAUTION: MAKE SURE THE HOOD IS SECURE BEFORE RELEASING.**

Ductwork Installation

6. Use aluminum or steel pipe to connect the plastic exhaust on the hood to the ductwork above. Use duct tape to make all joints secure and air tight.

UNDER THE CABINET INSTALLATION – REAR VENT

Preparation before installation

NOTE: TO AVOID DAMAGE TO YOUR HOOD, PREVENT DEBRIS FROM ENTERING THE VENT OPENING.

- Decide the location of the venting pipe from the hood to the outside. Refer to Figure 6.
- A straight, short venting run will allow the hood to perform more efficiently.
- Try to avoid as many transitions, elbows, and long run as possible. This may reduce the performance of the hood.
- Temporarily wire the hood to test for proper operation before installing.
- Peel protective film off the hood (if any).
- For installing under the cabinet with recessed bottom, attach 4-inch wide wood filler strips (not included) on each side. Refer to Figure 7.
- Measure and create access opening for electrical wires under the cabinet or access opening for the electrical wires at the rear of the hood.
- Remove the screws on the vent cover (rear) and cut along the line of the inner vent cover (rear) opening. Refer to Figure 8.
- Cut the vent cover (rear) opening and reverse to the other side. Refer to Figure 9. Reattach the vent cover (rear).

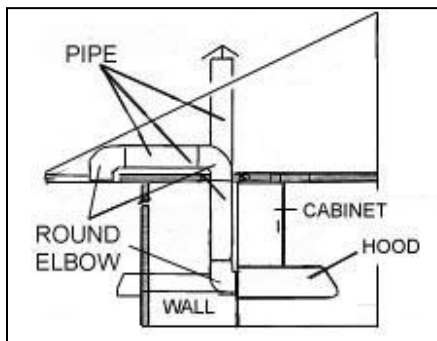


Figure 6

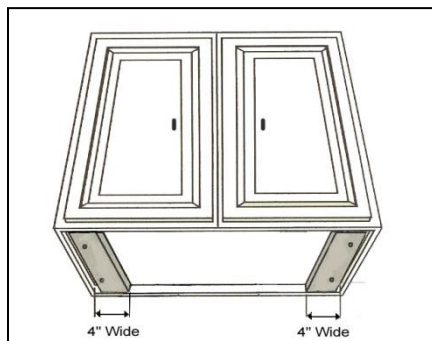


Figure 7

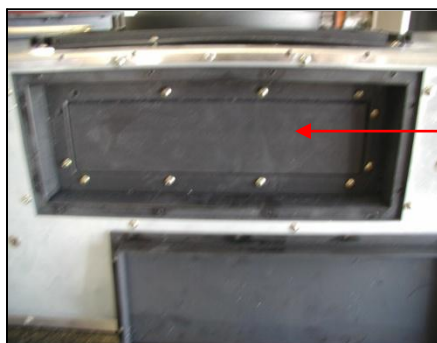


Figure 8

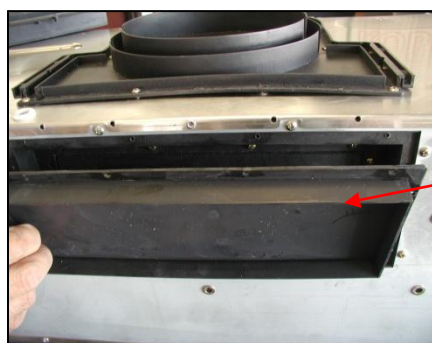


Figure 9

Hood Installation

CAUTION: If required to move the cooking range to install the hood, turn off the power on an electric range at the main electrical box. **SHUT OFF THE GAS BEFORE MOVING A GAS RANGE.**

1. Puncture the knockout holes on the hood as shown in Figure 10.
2. Unscrew and remove the multi duct exhaust. Replace with {D} vent cover (top). Refer to Figure 11.



Figure 10

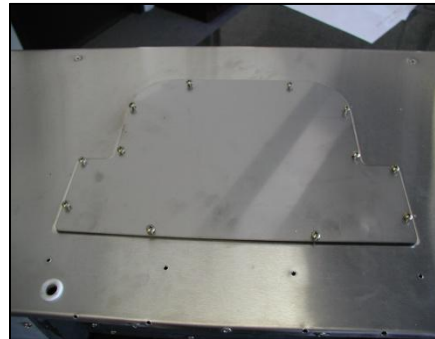


Figure 11

3. If necessary, arrange the electrical wires to run through the 1" diameter hole on the top or the rear of the hood. Refer to Figure 12.
4. Using references on Table 1 and measurements on Page 22 to center the hood in place beneath the cabinet and flush with the front of the cabinet.
5. Place screw (not provided) into the exact center of each knockout hole. Make sure all screws are in place before tightening screws. **CAUTION: MAKE SURE THE HOOD IS SECURE BEFORE RELEASING.**

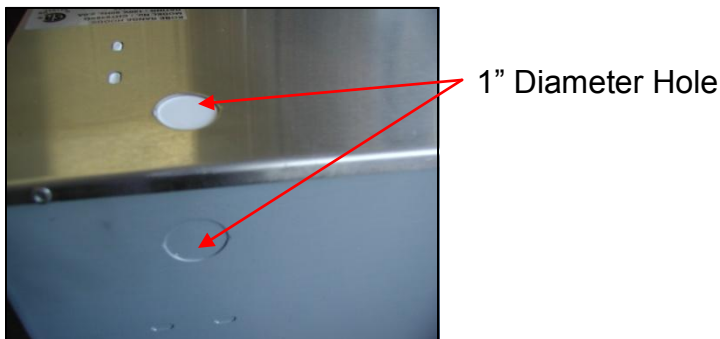


Figure 12

Ductwork Installation

6. Use aluminum or steel pipe to connect the exhaust opening at the rear of the hood to the ductwork. Use duct tape to make all joints secure and air tight.

WALL MOUNT INSTALLATION – TOP VENT

***This installation only applied with the purchase of a duct cover.

Preparation before Installation

NOTE: TO AVOID DAMAGE TO YOUR HOOD, PREVENT DEBRIS FROM ENTERING THE VENT OPENING.

- Decide the location of the venting pipe from the hood to the outside. Refer to Figure 13.
- A straight, short venting run will allow the hood to perform more efficiently.
- Try to avoid as many transitions, elbows, and long run as possible. This may reduce the performance of the hood.
- Use duct tape to seal the joints between pipe sections.
- If necessary, prepare back wall frame with cross framing lumber for secure installation.
- Using references on Table 2 and measurements on Page 22-23, decide the level of the lumber. Refer to Figure 14.

Hood Preparation before Installation

- Temporarily wire the hood to test for proper operation before installing.
- Peel protective film off the hood and the duct cover (if any).
- Cut the multi vent exhaust according to the size of the venting pipe. Refer to Figure 15.

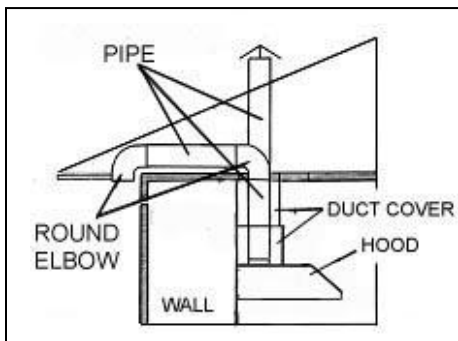


Figure 13

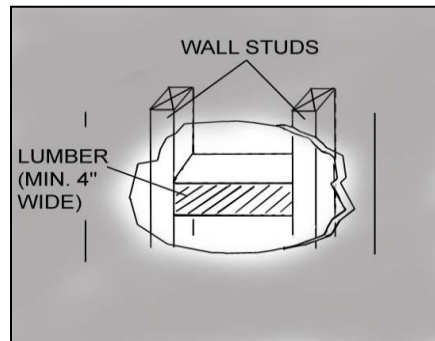


Figure 14

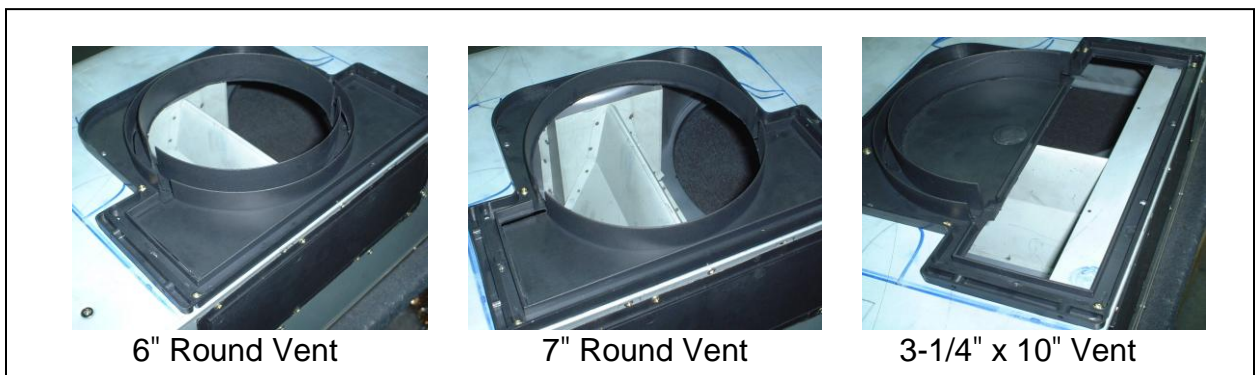


Figure 15

- If necessary, attach two rubber stands (provided) with two (4x8 mm) screws (provided) to the back of the hood.
- Attach the hood-mounting bracket to the back of the hood with nine (3/16" x 3/8") screws (provided) as shown in Figure 16.

Hood Installation

CAUTION: If required to move the cooking range to install the hood, turn off the power on an electric range at the main electrical box. **SHUT OFF THE GAS BEFORE MOVING A GAS RANGE.**

1. Using references on Table 2 and measurements on Page 22-23, mark the leveling point of the hood. Position two mounting screws (not provided) on the wall, leaving 1/8" away from the wall as shown in Figure 17.



Figure 16

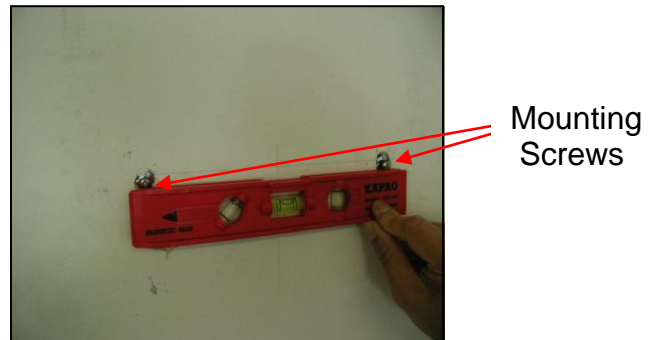


Figure 17

2. Align hood-mounting bracket to the two screws on the wall and hook hood into place. Tighten screws to secure hood to the wall. **CAUTION: MAKE SURE THE HOOD IS SECURE BEFORE RELEASING.**

Duct Cover Installation

3. Mark the position of the duct cover-mounting bracket. Use reference **E** from Table 2 and measurements on Page 22-23. Attach and secure duct cover-mounting bracket with two screws (not provided). Refer to Figure 18. NOTE: Inner duct cover will cover the duct cover-mounting bracket.
4. Use aluminum or steel pipe to connect the plastic exhaust on the hood to the ductwork above. Use duct tape to make all joints secure and air tight.
5. Connect electrical wires. Refer to "Wiring to Power Supply" on Page 17.
6. Slide the inner duct cover up 2 inches before sliding the entire duct cover onto the hood. Refer to Figure 19.



Figure 18



Figure 19

7. Adjust the height of the inner duct cover to the duct cover-mounting bracket. Secure the inner duct cover with two (4x8 mm) screws (provided) as shown in Figure 20.



Attach Together

Figure 20

8. Fasten outer duct cover to multi vent exhaust on the hood with four (4x8 mm) screws (provided).

WALL MOUNT INSTALLATION – REAR VENT

***This installation only applied with the purchase of a duct cover.

Preparation before Installation

NOTE: TO AVOID DAMAGE TO YOUR HOOD, PREVENT DEBRIS FROM ENTERING THE VENT OPENING.

- Decide the location of the venting pipe from the hood to the outside. Refer to Figure 21.
- A straight, short venting run will allow the hood to perform more efficiently.
- Try to avoid as many transitions, elbows, and long run as possible. This may reduce the performance of the hood.
- Use duct tape to seal the joints between pipe sections.
- If necessary, prepare back wall frame with cross framing lumber for secure installation.
- Using references on Table 2 and measurements on Page 22-23, decide the level of the lumber. Refer to Figure 22.

Hood Preparation before Installation

- Temporarily wire the hood to test for proper operation before installing.
- Peel protective film off the hood and the duct cover (if any).
- Remove the screws on the vent cover (rear) and cut along the line of the inner vent cover (rear) opening. Refer to Figure 23.
- Cut the vent cover (rear) opening and reverse to the other side. Refer to Figure 24.

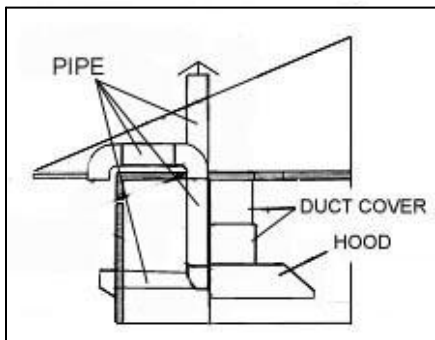


Figure 21

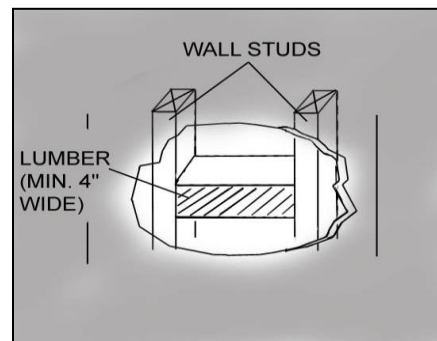


Figure 22



Figure 23

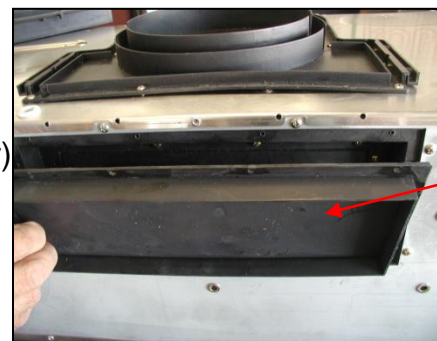


Figure 24

- If necessary, attach two rubber stands (provided) with two (4x8 mm) screws (provided) to the back of the hood.
- Attach the hood-mounting bracket to the back of the hood with nine (3/16" x 3/8") screws (provided) as shown in Figure 25.

Hood Installation

CAUTION: If required to move the cooking range to install the hood, turn OFF the power on an electric range at the main electrical box. **SHUT OFF THE GAS BEFORE MOVING A GAS RANGE.**

1. Using references on Table 2 and measurements on Page 22-23, mark the leveling point of the hood. Position two mounting screws (not provided) on the wall, leaving 1/8" away from the wall as shown in Figure 26.



Figure 25

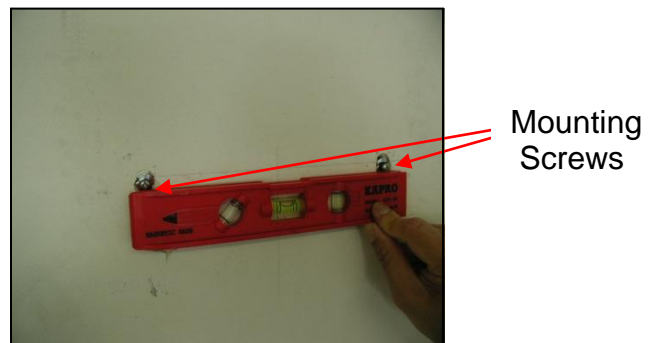


Figure 26

2. Use aluminum or steel pipe to connect the exhaust opening at the rear of the hood to the ductwork. Use duct tape to make all joints secure and air tight.
3. Align hood-mounting bracket to the two screws on the wall and hook hood into place. Tighten screws to secure hood to the wall. **CAUTION: MAKE SURE THE HOOD IS SECURE BEFORE RELEASING.**

Duct Cover Installation

4. Mark the position of the duct cover-mounting bracket. Use reference **E** from Table 2 for references. Attach and secure duct cover-mounting bracket with two screws (not provided). Refer to Figure 27. NOTE: Inner duct cover will cover the mounting bracket.
5. Connect electrical wires. Refer to "Wiring to Power Supply" on Page 17.
6. Slide the inner duct cover up 2 inches before sliding the entire duct cover onto the hood. Refer to Figure 28.

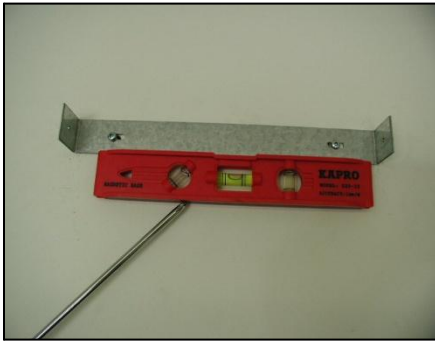


Figure 27

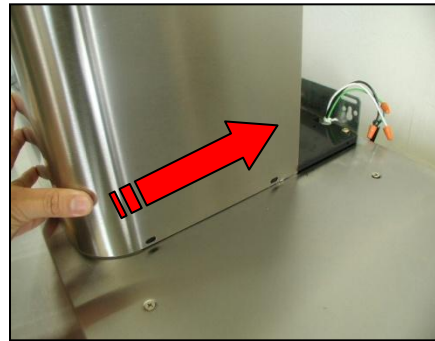


Figure 28

7. Adjust the height of the inner duct cover to the duct cover-mounting bracket. Secure the inner duct cover with two (4x8 mm) screws (provided) as shown in Figure 29.

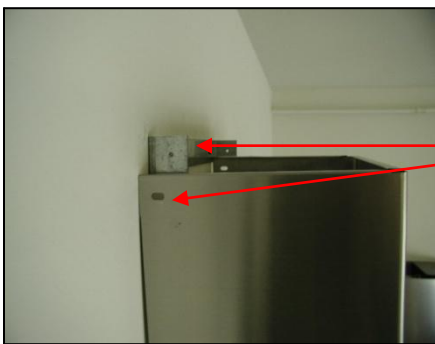


Figure 29

8. Fasten outer duct cover to multi vent exhaust on the hood with four (4x8 mm) screws (provided).

Wiring to Power Supply

⚠ SAFETY WARNING

RISK OF ELECTRICAL SHOCK. THIS RANGE HOOD MUST BE PROPERLY GROUNDED. MAKE SURE THIS IS DONE BY SPECIALIZED ELECTRICIAN IN ACCORDANCE WITH ALL APPLICABLE NATIONAL AND LOCAL ELECTRICAL CODES. BEFORE CONNECTING WIRES, SWITCH POWER OFF AT SERVICE PANEL AND LOCK SERVICE PANEL TO PREVENT POWER FROM BEING SWITCHED ON ACCIDENTALLY.

Connect the electrical wires.

- Connect three wires (black, white and green) to house wires and cap with wire connectors. Connect according to color: black to black, white to white, and green to green.
- If necessary to hide the electrical wire connections, push wires back into the wiring box. Access the wire connections underneath the hood. Make sure wires do not slip between motor or any moving parts to prevent any damage.

Final Assembly

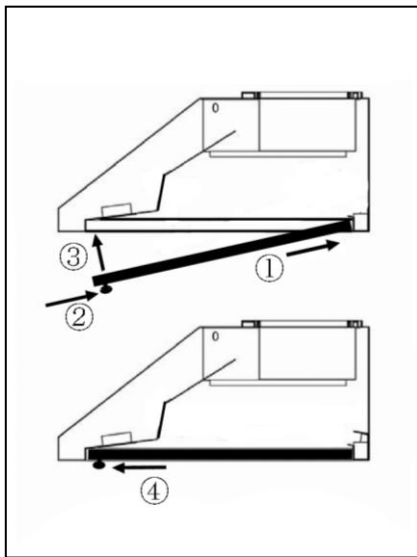


Figure 30

1. Place baffle filters underneath the hood. Refer to Figure 30.

OPERATING INSTRUCTIONS

This KOBE hood is equipped with four electronic controls with a 10-second standby startup & 30-second delay shutoff, two powerful centrifugal turbine impellers with baffle filters, and bright 12-volt 20-watt halogen lights.

The four electronic controls are Light Control, Speed Control A, Speed Control B and the Power Control (On/Off). Refer to Figure 31.

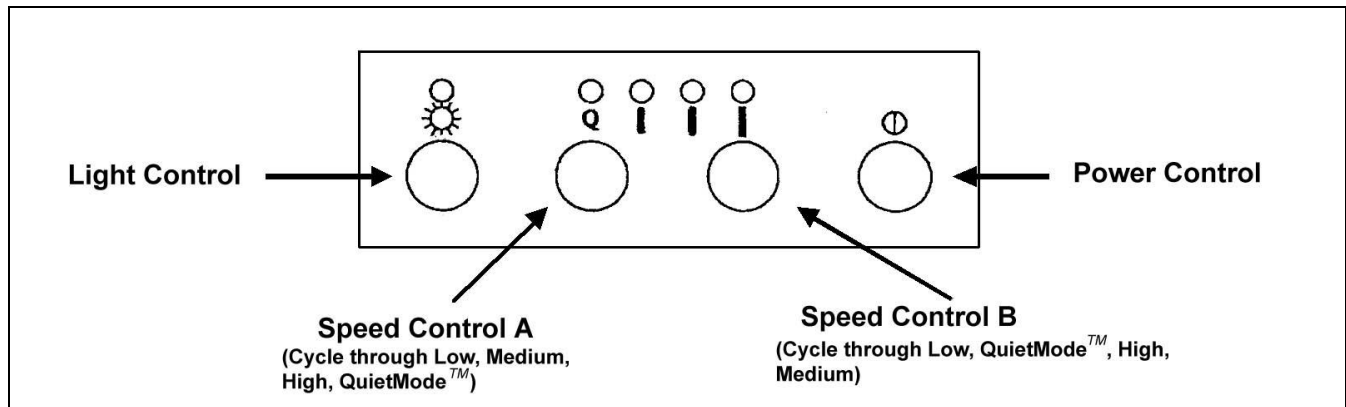


Figure 31

TURN ON:

- **Press Power Control (On/Off) button once.**
(Note: If any control button is not pressed within 10 seconds, power will be automatically turned off).
- **The hood will start on Low speed. Each press of the Speed Control button will cycle through the various speeds.**
- **Press Speed Control A button to cycle from Low, Medium, High, or QuietMode™. Press Speed Control B button to cycle from Low, QuietMode™, High or Medium.**
(Note: Speed Control A or B will operate both fans. These two speed buttons vary the speed quicker.)
- **Press Light Control button to turn halogen light on.**

TURN OFF:

- **Press Power Control (On/Off) button once, panel lights will flash and power will be completely shut off after 30 seconds.**
OR
- **Press Power Control (On/Off) button twice, all power will be shut off immediately.**
- **If only the lights are on, pressing Power Control (On/Off) button once will turn power off after 30 seconds.**

MAINTENANCE

For optimal performance, clean the range hood surface and baffles regularly.

To Clean Hood Surface

CAUTION: NEVER USE ABRASIVE CLEANERS, PADS, OR CLOTHS.

*** Regular care will help preserve its fine appearance.

1. Use only mild soap or detergent solutions. Dry surfaces using soft cloth.
2. If hood looks splotchy (stainless steel hood), use a stainless steel cleaner to clean the surface of the hood. Avoid getting cleaning solution onto or into the control panel. Follow directions of the stainless steel cleaner. **Caution: Do not leave on too long as this may cause damage to hood finish.** Use soft towel to wipe off the cleaning solution, gently rub off any stubborn spots. Use dry soft towel to dry the hood.
3. DO NOT allow deposits to accumulate or remain on the hood.
4. DO NOT use ordinary steel wool or steel brushes. Small bits of steel may adhere to the surface and cause rusting.
5. DO NOT allow salt solutions, disinfectants, bleaches, or cleaning compounds to remain in contact with stainless steel for extended periods. Many of these compounds contain chemicals, which may be harmful. Rinse with water after exposure and wipe dry with a clean lint free cloth.

To Clean Baffle Filter/Oil Tunnel

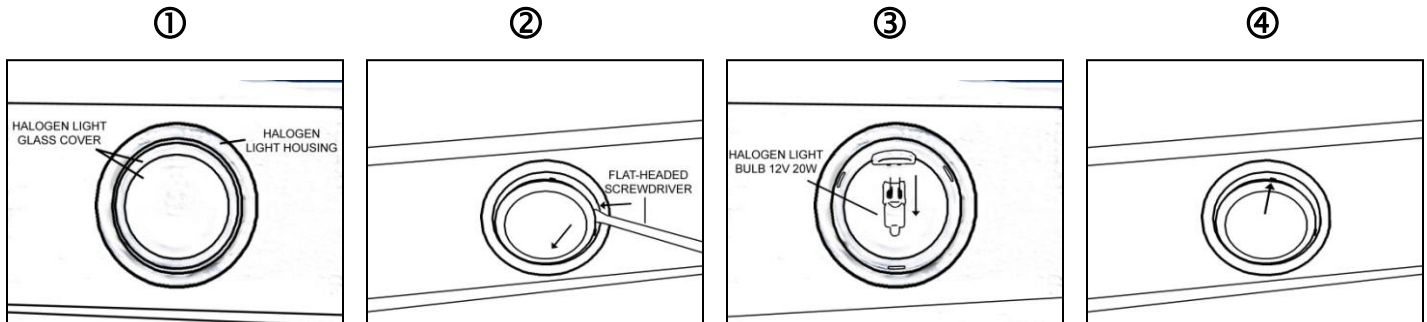
CAUTION: DRAIN OIL FROM BAFFLE FILTER & OIL TUNNEL REGULARLY TO PREVENT OVERFLOW.

1. Remove all the baffle filters and oil tunnel.
2. Using a sponge, wash with warm soapy water. Dry completely before returning into place.
(Note: Baffle Filters are top rack dishwasher safe.)

To Replace Light Bulb

⚠ CAUTION: HALOGEN LIGHT UNIT MAY BE HOT! WAIT UNTIL UNIT IS COOL.

NOTE: DO NOT TOUCH HALOGEN LIGHT WITH BARE HANDS, WHICH MIGHT CAUSE OVER HEAT AND SHORTEN THE LIFE OF LIGHT BULBS.



1. Make sure all controls are off, and range hood is unplugged.
2. Place the flat-headed screwdriver into the groove of the halogen light glass covering and the housing. ①
3. Pop out the halogen light glass covering. ②
4. Gently pull out the defective light bulb and discard. Light bulbs should be 12V 20W maximum. ③
5. Using a cloth, hold the new light bulb and push securely into light socket.
6. Return halogen light glass cover to the housing. ④
7. Turn range hood ON to test for operation.

SPECIFICATIONS

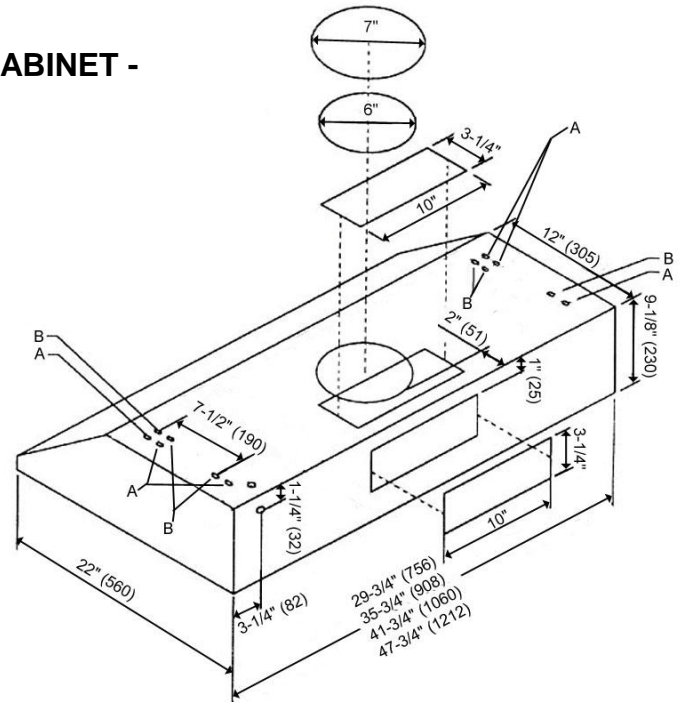
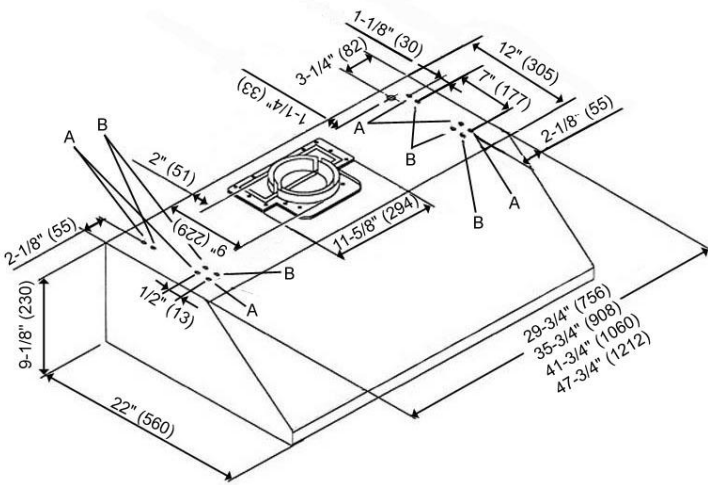
MODEL / SIZE	CH2230SQB / 30" CH2236SQB / 36			
COLOR	Commercial Grade Stainless Steel			
CONSUMPTION / AMPERE	30" – 232W / 2.21A 36" – 232W / 2.21A			
NUMBER OF MOTORS	2			
DESIGN	18-Gauge Seamless / Satin Finish			
FAN TYPE	Twin Turbine Impeller			
EXHAUST	Top – 6" Round 7" Round 3-1/4" x 10" Rectangular Rear – 3-1/4" x 10" Rectangular			
CONTROLS	Electronic Control (4 Buttons) – 10-Second Standby Startup 30-Second Delay Shutoff			
HALOGEN LIGHTS Or LED (if Available)	30" - 12V 20W x 2 36" - 12V 20W x 2			
HOOD DIMENSION (W x D x H)	(CH2230SQB) 29-3/4" x 22" x 5-7/8" (CH2236SQB) 35-3/4" x 22" x 5-7/8"			
OPTIONAL ACCESSORIES (W x D x H)	1) Two-Piece Adjustable Duct Cover (CH1120DC) 11-3/4" x 10-1/4" x (20-5/8" ~ 39-3/4") 2) 30" Stainless Steel Back Panel (SSP30) 30" x 1/10" x 32" 3) 36" Stainless Steel Back Panel (SSP36) 36" x 1/10" x 32"			
WEIGHT (lbs)		<u>Net</u>	<u>Gross</u>	
	(CH2230SQB)	44.0	50.6	
	(CH2236SQB)	46.0	52.6	
SPEED	QuietMode™	Low	Medium	High
Air Capacity (cfm)	300	450	600	720
Sone	1.2	3.0	4.5	4.8

*Specifications subject to change without notice.

MEASUREMENTS & DIAGRAMS

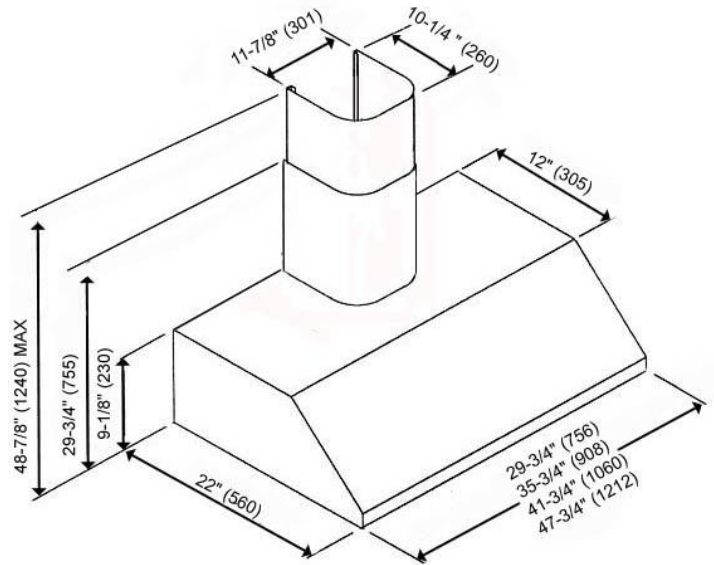
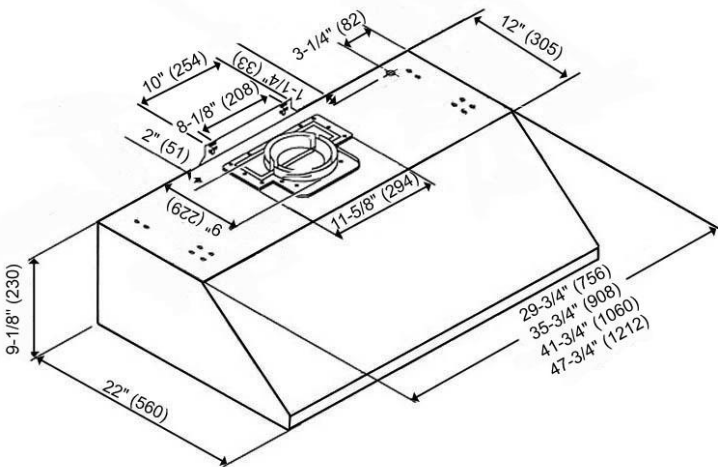
*** All inch measurements are converted from millimeters. Inch measurements are estimated.
 *** All measurements in () are millimeters.

- FOR UNDER THE CABINET -

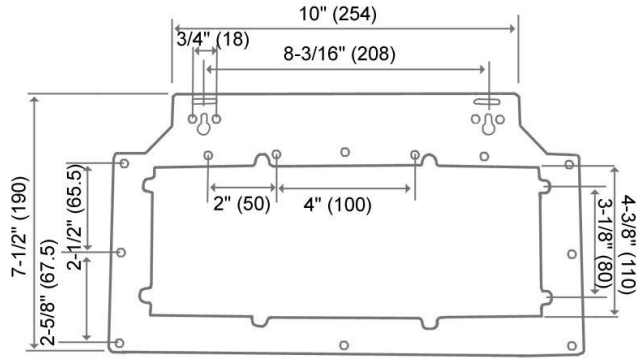


30" = Knockout Holes "A"
 36", 42", 48" = Knockout Holes "A" & "B"

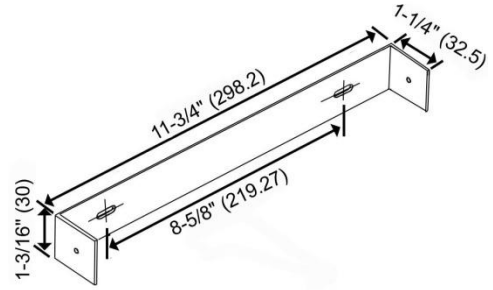
- FOR WALL MOUNT (WITH OPTIONAL DUCT COVER) -



***Hood-Mounting Bracket



***Duct Cover-Mounting Bracket



PARTS LIST

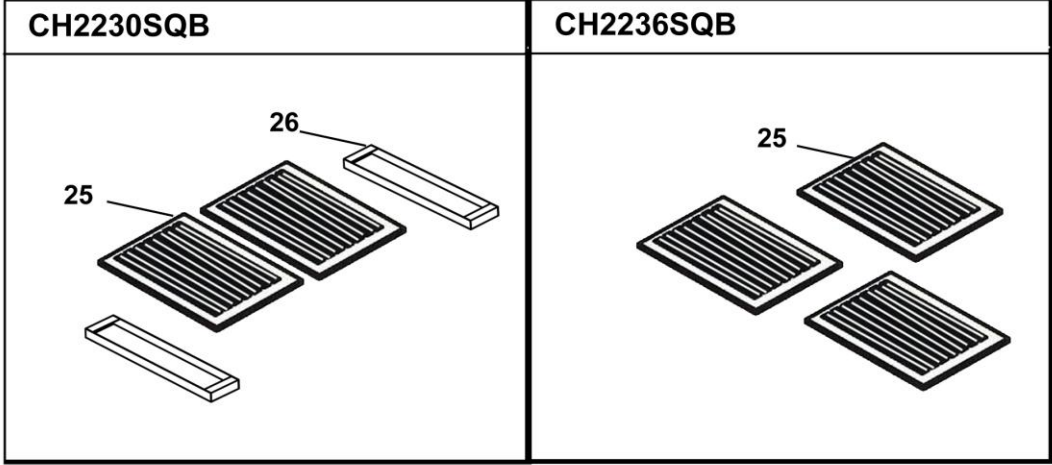
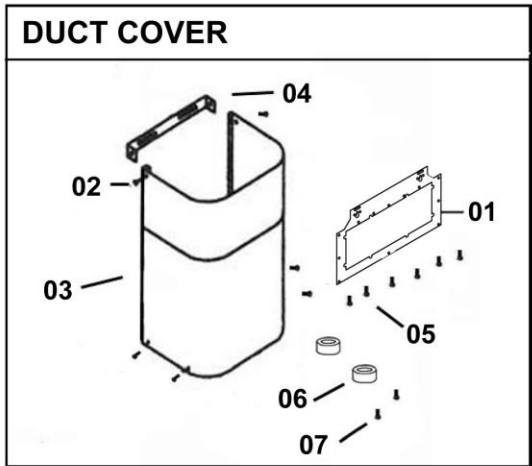
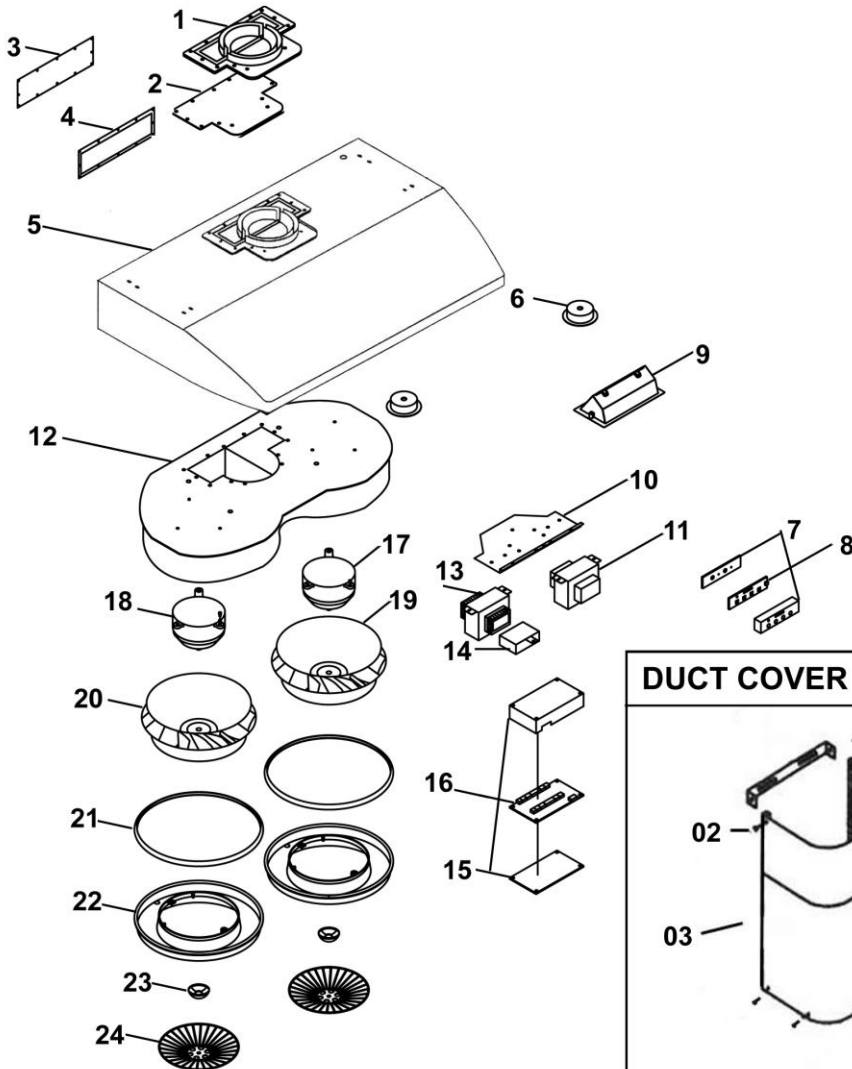
MODEL NO.: CH2230SQB
CH2236SQB

NO.	DESCRIPTION	MODEL /SIZE	PART NO.
1	Multi Duct Exhaust		C1-0507-1530
2	Vent Cover (Top)		B101-1530-12
3	Vent Cover (Rear)		C1-0508-1530-A
4	Vent Cover Frame		C1-0508-1530-B
5	Hood Casing	CH2230SQB	10-1630A
		CH2236SQB	10-1636A
6	Halogen Light (12V 20W Max.)		C1-0403-0101
7	Control Unit		C1-0501-0101
8	Control Board		C1-0404-4001-A
9	Control Panel Support		C1-0207-5200
10	Transformer Support		C1-0201-1530
11	Transformer (Motor)		C1-0402-A120-08
12	Air Chamber		
A	Air Chamber (Top)	CH2230SQB	C1-0101-1530
B	Air Chamber (Side)	CH2230SQB	C1-0102-1530
A	Air Chamber (Top)	CH2236SQB	C1-0101-1542
B	Air Chamber (Side)	CH2236SQB	C1-0102-1542
13	Transformer (Light)	CH2230SQB	C1-0402-0120-40
		CH2236SQB	
14	Capacitor		C1-0401-0120-01
15	Processor Board Box		C1-0501-0102
16	Processor Board		C1-0404-4110-B
17	Motor (Right)		C1-0301-0120-29B
18	Motor (Left)		C1-0301-0120-29A
19	Turbine Impeller (Right)		C1-0251-0880-B
20	Turbine Impeller (Left)		C1-0251-0880-A
21	Oil Tunnel Seal		C1-0502-0301
22	Oil Tunnel		C1-0502-0102
23	Impeller Plastic Cover		C1-0251-0001
24	Safety Screen		C1-0602-0101
25	Baffle Filter		B101-1930-15
26	Bottom Casing	CH2230SQB	B101-4130-09

Optional Duct Cover

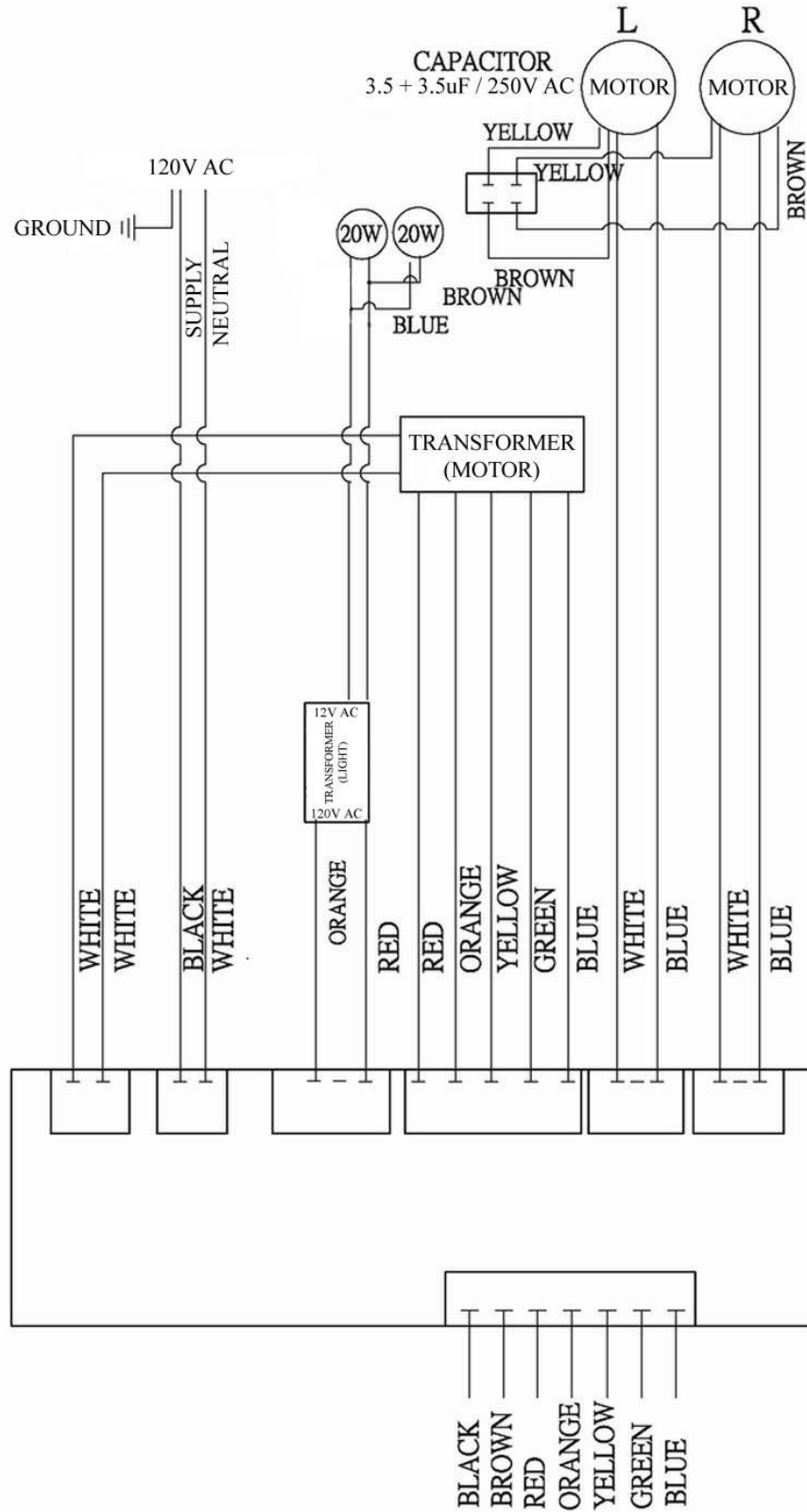
NO.	DESCRIPTION	MODEL /SIZE	PART NO.
01	Hood-Mounting Bracket		C1-0221-1530
02	Screws (TS 4 x 8 mm)		C1-0708-0006
03	Duct Cover	CH1120DC	12-15300-51
04	Duct Cover-Mounting Bracket		C1-0221-1530
05	Screw (3/16" x 3/8")		C1-0707-0001
06	Rubber Stand		C1-0511-0382
07	Screw (TS 4 x 8 mm)		C1-0708-0006

MODEL NO.: CH2230SQB
 CH2236SQB



CIRCUIT DIAGRAM

MODEL NO.: CH2230SQB
CH2236SQB



TROUBLE SHOOTING

Issue	Possible Cause	Solution
After Installation, both motors and lights are not working.	The power is not on.	Make sure the circuit breaker and the unit's power is ON. Use a voltage meter to check the power supply.
	The wire connection is not secure.	Check and tighten wire connection.
	The control panel and processor board wiring are disconnected.	Check wire continuity from control panel to processor board.
	The motor transformer is defective.	Check the power input and power output on the motor transformer. If it's needed, replace the motor transformer.
	The control panel and processor board is defective.	Replace the control panel or processor board.
Lights are working, but motor(s) is not.	The motor(s) is defective.	Replace the motor.
	The capacitor(s) is defective.	Replace capacitor(s).
	The control panel or processor board is defective.	Replace the control panel or processing board.
The range hood is vibrating.	The blower system is not secure.	Tighten the turbine impeller/squirrel cage and air chamber.
	The turbine impeller/squirrel cage is not balanced.	Replace the turbine impeller/squirrel cage.
	Hood is not secured in place.	Check the installation of hood, tighten the mounting bracket.
The motor is working, but the lights are not working.	Halogen Light bulb(s) is defective.	Try placing the trouble light bulb(s) to a working socket, if the bulb(s) still doesn't work; replace the halogen light bulb(s).
	The light wiring(s) is loose.	Check wire continuity from processor board to light transformer to halogen light housing(s).
	Light transformer is defective.	Check power input and power output on the light transformer. If it's needed, replace the light transformer.
	The control panel or processor board is defective.	Replace the control panel or processing board.
The range hood is not venting out correctly.	The range hood is installed outside of the manufacture recommended clearance.	Adjust the clearance between the range hoods and cook top to 27" to 30". For Island range hood, the clearance between the range hoods and cook top is 30" to 36".
	There is no make-up air inside the house.	Open the window to enhance the performance of the range hood by creating a sufficient make-up air.
	Obstacle blocking the pipe work.	Remove all obstacles from the duct work.
	The pipe size is smaller than the suggested pipe size.	Change the ducting according to the manufacture suggestion.
Cold air is coming into the home.	The pipe connection is not properly sealed.	Check the pipe installation.
	The damper is not properly installed or is missing from the installation.	Check the damper installation.
	The damper is not installed.	By installing the damper, it will help to eliminate air backflow.

WARRANTY

WARRANTY CERTIFICATE

KOBE Range Hoods (referred to herein as “we” or “us”) warrants to the original purchaser (referred to herein as “you” or “your”) all products manufactured or supplied by us to be free from defect in workmanship and materials as follows:

TWO-YEAR LIMITED WARRANTY FOR PARTS AND LABOR ON KOBE PREMIUM SERIES:

For two years from the date of your original invoice from a KOBE authorized dealer, we will, at our sole discretion, choose to repair or replace the product free of charge that failed due to manufacturing defects.

It is your sole responsibility to ensure the product is readily accessible for the service technician to perform repairs. **The service technician will not, under any circumstance, remove, alter or modify any fixture built around and/or connected to the product to gain access to perform repairs.**

During the two-year Limited Warranty period, additional charges may apply which include but are not limited to:

- Service technician travel charges if the requested service location is 30-miles out of KOBE’s authorized service area
- Parts shipping expenses
- Un-installation of defective product and Installation of replacement product

ONE-YEAR LIMITED WARRANTY FOR PARTS ON KOBE BRILLIA SERIES:

For one year from the date of your original invoice from a KOBE authorized dealer, we will provide, free of charge, parts to replace those that failed due to manufacturing defects. It is our sole discretion to choose to repair or replace defective parts. It is your sole responsibility for all labor costs associated with this warranty.

Warranty Exclusions:

This warranty does not cover, including but not limited to the following:

- a. Improper installation.
- b. Any repair, alteration, modification not authorized by KOBE.
- c. Duct alteration, modification and connection.
- d. Incorrect electric current, voltage or wiring.
- e. Normal maintenance and service required for the product.
- f. Consumable parts such as light bulbs and carbon filters.
- g. Improper usage of the product that it is not intended for, such as commercial use, outdoor use and multi-family use.
- h. Normal wear and tear.
- i. Chips, scratches or dents by abuse or misuse of the product.
- j. Damages caused by accident, fire, flood and other Acts of God.
- k. Expenses incurred for service located outside of the designated service area.
- l. Purchases from unauthorized dealers.

m. Removal fees of defective product and Installation fees associated with replacement product.

If we determine that the warranty exclusions listed above apply or if you fail to provide all necessary documentation for warranty service, you will be responsible for all expenses associated with the requested service, including parts, labor, shipping, travelling and any other expense related to the service request.

To qualify for warranty service, you must:

1. Have the **ORIGINAL** proof of purchase
2. Be the **ORIGINAL** purchaser of the product
3. Have the model number
4. Have the serial number
5. Have a description of the nature of any defect in the product or part

TO REQUEST WARRANTY SERVICE, PLEASE CONTACT THE KOBE RANGE HOODS SERVICE CENTER:

KOBE SERVICE CENTER

Tel: 1-855-800-KOBE (5623)

E-mail: kobe@adcoservice.com

WARRANTY INFORMATION FORM

Fill in the blanks and keep this paper with the **original invoice** in a safe place for future service purpose.

1. Date of purchase : _____

2. Model No. : _____

3. Serial No. : _____

For warranty service or spare parts purchase contact:

KOBE Service Center

Toll Free: 1-855-800-KOBE (5623)

Email: kobe@adcoservice.com

To report a problem, please contact:

Toll Free: 1-877-BUY-KOBE (289-5623)

Email: customer.service@koberangehoods.com

For product information contact:

Toll free: 1-877-BUY-KOBE (289-5623)

Email: info@koberangehoods.com

Your notes:

[Français]

IMPORTANT ! LISEZ CECI EN PREMIER LIEU.

LISEZ CECI AVANT L'INSTALLATION

1. Vérifiez soigneusement tous les contenus des emballages;
2. Inspectez soigneusement l'appareil pour tous dommages ou défauts cosmétiques;
3. Tester l'appareil avant l'installation;
4. Engagez un entrepreneur/électricien certifié pour procéder à l'installation.

EN CAS DE PROBLEME:

1. **N'INSTALLEZ PAS L'APPAREIL ET CONSERVER LE CONTENU DE L'EMBALLAGE D'ORIGINE.**
2. Ayez votre preuve d'achat originale et le numéro de série du produit.
3. Appelez au 1-877-BUY-KOBE (289-5623) ou contactez-nous par courriel à info@koberangehoods.com pour signaler le problème.

PAS DE RETOUR, DE REMBOURSEMENT, NI D'EXCHANGE SI:

1. Le produit a été installé
2. Les trous prédécoupés ont été perforés
3. Contenus et/ou pièces de l'emballage d'origine manquent

[FRENCH]

- LIRE ET CONSERVER CES INSTRUCTIONS -

TABLE DES MATIÈRES

MESURES DE SÉCURITÉ IMPORTANTES	35
CONTENU DE LA BOÎTE.....	37
INSTALLATION.....	37
MODE D'EMPLOI.....	51
ENTRETIEN- NETTOYAGE	52
SPÉCIFICATIONS.....	54
MESURES et DIAGRAMMES	55
LISTE DES PIÈCES.....	57
DIAGRAMME DES CIRCUITS	59
TROUBLE SHOOTING	60
GARANTIE	61
ENREGISTREMENT DU PRODUIT	63

-LIRE ATTENTIVEMENT TOUTES LES CONSIGNES AVANT DE COMMENCER-

TOUT LE CÂBLAGE ÉLECTRIQUE DOIT ÊTRE EFFECTUÉ
PAR UN PROFESSIONNEL EN CONFORMITÉ AVEC LES CODES
D'ÉLECTRICITÉ LOCAUX ET NATIONAUX



MESURES DE SÉCURITÉ IMPORTANTES

- SVP LIRE CETTE SECTION ATTENTIVEMENT AVANT L'INSTALLATION -

⚠️ AVERTISSEMENT: AFIN DE RÉDUIRE LES RISQUES D'INCENDIE, DE CHOC ÉLECTRIQUE ET DE BLESSURES, RESPECTER LES CONSIGNES SUIVANTES :

- 1) L'installation et le câblage électrique doivent être effectués par des techniciens qualifiés et en conformité avec tous les codes et toutes les normes qui s'appliquent même pour les constructions ignifugées.
- 2) Lorsque vous découpez ou percez un mur ou un plafond, prendre soin de ne pas endommager le filage électrique ou autres conduits cachés.
- 3) Les hottes à évacuation doivent être évacuées à l'extérieur.
 - a) Avant une réparation, un entretien préventif ou un nettoyage, ouvrir le panneau de la lumière et **COUPER LE COURANT ÉLECTRIQUE SUR LE TABLEAU DE DISTRIBUTION.**
 - b) Nettoyer le ventilateur, le filtre optionnel et les surfaces chargées de graisse fréquemment. Afin de réduire les risques d'incendie et afin de disperser l'air adéquatement, évacuer l'air à l'extérieur. **NE PAS** ventiler l'air d'évacuation dans les murs, les greniers, les vides sanitaires ou les garages.

NOTE - La garantie de cet appareil sera nulle sans le reçu d'un distributeur autorisé de KOBE ou si l'appareil est endommagé par une utilisation inadéquate, une installation déficiente, un usage inapproprié, un mauvais traitement, de la négligence ou par toute autre circonstance échappant au contrôle des distributeurs autorisés de KOBE. Toute réparation effectuée sans la supervision d'un agent autorisé de KOBE annulera automatiquement la garantie.

- KOBE se dégage de toute responsabilité face à des dommages à la propriété personnelle ou aux biens immeubles ou encore à des blessures corporelles causées directement ou indirectement par la hotte de cuisinière.

⚠️ AVERTISSEMENT : AFIN DE RÉDUIRE LES RISQUES DE BLESSURES CORPORELLES DANS L'ÉVENTUALITÉ D'UN INCENDIE DE GRAISSE SE DÉCLARANT SOUS LA HOTTE DE CUISINIÈRE :

1. Tenir toujours propres le ventilateur, les filtres déflecteurs, s'il y en a, et les surfaces chargées de graisse.
2. Toujours faire fonctionner la hotte lors d'une cuisson à température élevée.
3. Utiliser les vitesses élevées de la hotte **UNIQUEMENT** lorsque nécessaire. Chauffer l'huile lentement aux réglages de basses ou de moyennes vitesses.
4. Ne pas laisser la cuisinière sans surveillance lors de la cuisson.
5. Toujours utiliser les articles de cuisson et les ustensiles appropriés au type et à la quantité d'aliments préparés.
6. Utiliser l'appareil seulement pour l'usage auquel le fabricant l'a destiné.
7. Avant l'entretien courant, couper l'alimentation électrique au tableau de distribution principal et verrouiller ce dernier (si possible) pour éviter une mise en marche accidentelle.
8. Nettoyer les ventilateurs fréquemment.

Que faire en cas d'un incendie de graisse sur la cuisinière

- ÉTOUFFER LES FLAMMES à l'aide d'un couvercle hermétique, une plaque à biscuits ou un plateau métallique, puis fermer le rond ou le brûleur. GARDER LES MATÉRIAUX INFLAMMABLES OU COMBUSTIBLES LOIN DES FLAMMES. Si les flammes ne s'éteignent pas immédiatement, ÉVACUER LA ZONE ET APPELER LE SERVICE D'INCENDIE ou le 911.
- NE JAMAIS SOULEVER UNE CASSEROLE EN **FEU** - Il y a risque de brûlure.
- NE PAS UTILISER D'EAU incluant serviettes ou linges à vaisselle mouillés - cela provoquerait un violent jet de vapeur.
- Utiliser un extincteur SEULEMENT si:
 - a) vous possédez un extincteur de classe A, B ou C et si vous savez vous en servir ;
 - b) le feu est petit et est contenu dans la zone de départ ;
 - c) vous avez appelé le service d'incendie ;
 - d) vous pouvez combattre le feu le dos près d'une sortie.

Que faire si une odeur de gaz se dégage

- Éteindre toute flamme nue.
- Ne pas essayer d'allumer des lumières ou tout type d'appareil électroménager.
- Ouvrir toutes les portes et fenêtres afin de chasser le gaz. Si une odeur de gaz est toujours perceptible, appeler votre fournisseur de gaz ainsi que le service d'incendie immédiatement.

⚠ ATTENTION !

- 1) Cette hotte doit être utilisée uniquement pour une ventilation normale. Ne pas s'en servir pour évacuer des substances et vapeurs dangereuses ou explosives.
- 2) Afin de réduire les risques d'incendie, employer seulement des conduits de métal. Il doit y avoir suffisamment d'air pour une combustion et une évacuation des gaz appropriées par le conduit de fumée (cheminée) afin d'éviter le refoulement d'air.
- 3) Suivre les directives et les consignes de sécurité des fabricants d'équipement de chauffage comme celles publiées par le *National Fire Protection Association (NFPA)* et l'*American Society for Heating, Refrigeration and Air Conditioning Engineers (ASHRAE)* de même que les codes en vigueur.
- 4) L'activation de tout interrupteur peut provoquer l'allumage ou une explosion.
- 5) En raison de la taille et du poids de la hotte, il est recommandé que deux personnes participent à l'installation.

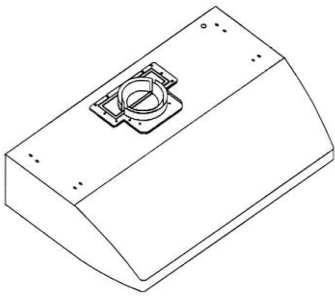


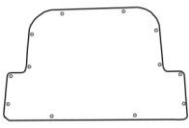
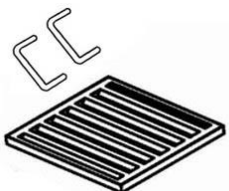
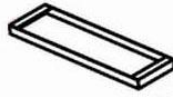


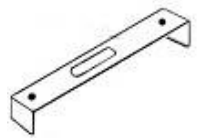
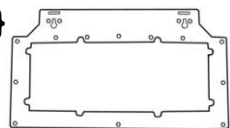
⚠ AVERTISSEMENT



RISQUE DE CHOC ÉLECTRIQUE - Pouvant entraîner la mort ou des blessures graves. Couper l'alimentation électrique à l'appareil avant tout entretien ou toute réparation. Si la hotte est munie d'une ampoule fluorescente, cette dernière contient une petite quantité de mercure et, en conséquence, elle doit être recyclée ou éliminée conformément aux codes locaux, provinciaux et fédéraux qui s'appliquent

CONTENU DE LA BOÎTE

(Vous devez conserver tout le matériel pour les retours ou les remboursements)

Boîte contenant la hotte	Boîte du couvre conduit (vendue séparément)
<p>{A} Hotte KOBE – 1 {B} Carte d'enregistrement de garantie – 1 {C} Manuel d'installation et d'opération – 1 {D} Plaque de sortie (verticale) – 1 {E} Filtre déflecteur - 2 (30po) - 3 (36po) {F} Panneau pare-éclaboussures – - 2 (30po)</p> <p>{A}</p>  <p>{B}</p>  <p>{C}</p>  <p>{D}</p>  <p>{E}</p>  <p>{F}</p> 	<p>{G} Couvre conduit – 1 {H} Ensemble de vis – 1 {I} Support de fixation du couvre conduit – 1 {J} Support de fixation – hotte – 1</p> <p>{G}</p>  <p>Couvre-conduit intérieur</p> <p>Couvre-conduit extérieur</p> <p>{H}</p>  <p>3/16po x 3/8po (9 pcs)</p> <p>{I}</p>  <p>{J}</p>  <p>Cales de Caoutchous (2 pcs)</p>

- POUR DE PLUS AMPLES RENSEIGNEMENTS, VEUILLEZ VISITER NOTRE SITE WEB www.KOBERangeHoods.com OU COMMUNIQUER AVEC KOBE RANGE HOODS AU (626) 775-8880.

INSTALLATION

VEUILLEZ LIRE ENTIÈREMENT LES INSTRUCTIONS AVANT DE PROCÉDER

Calcul avant Installation

Calculer la longueur de l'installation avant d'installer la hotte. (Toutes les mesures sont données en pouces).

- HOTTE INSTALLÉE SOUS UNE ARMOIRE -

TABLE 1 (vue de côté)

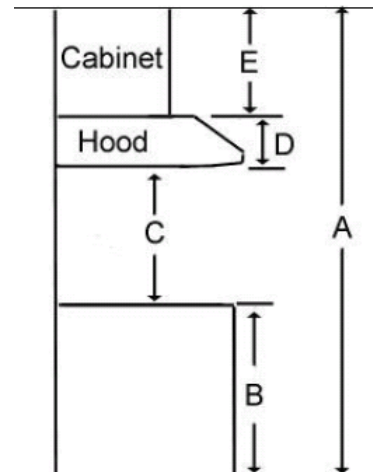
A = hauteur du plancher au plafond

B = hauteur du plancher jusqu'au comptoir/
à la surface de cuisson (Normalement : 36 po)

**C = hauteur recommandée entre le dessus du comptoir
/surface de cuisson jusqu'au dessous de la hotte
(Dégagement minimum : 27po à 30po)**

D = hauteur de la hotte

E = hauteur du cabinet d'armoire



- HOTTE INSTALLÉE AU-DESSUS D'UN ÎLOT -

TABLE 2 (vue de côté)

A = hauteur du plancher au plafond

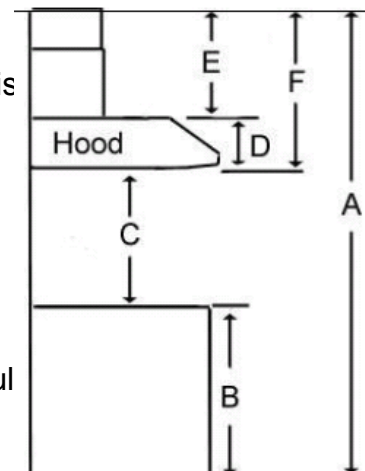
B = hauteur du plancher jusqu'au comptoir/ à la surface de cuisson
(Normalement : 36po)

**C = hauteur recommandée entre le dessus du comptoir
/surface de cuisson jusqu'au dessous de la hotte
(Dégagement minimum : 27po à 30po)**

D = hauteur de la hotte

E = hauteur du Couvre Conduit : calcul $[F - D]$

F = hauteur recommandée pour l'installation de la hotte : calcul
 $[A - (B+C)]$



AVERTISSEMENT

LES HOTTES COMPORTENT DES REBORDS TRÈS AFFILÉS; NOUS RECOMANDONS LE PORT DE GANTS PROTECTEURS LORS DE L'INSTALLATION, LE NETTOYAGE ET L'ENTRETIEN.

MISE EN GARDE : SOYEZ PRUDENT EN EMPLOYANT UN TOURNEVIS ÉLECTRIQUE, CELA POURRAIT ENDOMMAGER LA HOTTE.

INSTALLATIONS

SOUS UNE AMOIRE	
Conduit Supérieur	38
Conduit Arrière	40
ILOT	
Conduit Supérieur	42
Conduit Arrière	45

INSTALLATION SOUS UNE ARMOIRE - CONDUIT SUPÉRIEUR

Préparation avant l'installation

NOTE : AFIN D'ÉVITER QUE VOTRE HOTTE NE SUBISSE DES DOMMAGES, ASSUREZ-VOUS QUE L'OUVERTURE N'EST PAS BLOQUÉE ET EMPÊCHER QUE DES DÉBRIS NE PENÈTRE DANS L'OUVERTURE DES CONDUITS.

- Planifier l'emplacement du conduit d'aération qui cheminera de la hotte vers l'extérieur. (Voir Photo 1)
- Un parcours droit, court et dirigé permettra à la hotte de mieux performer.
- Il est toujours préférable de limiter le nombre de transitions, coudes et passages. Les changements de direction affecteront la performance de votre hotte.
- Connecter temporairement la hotte afin d'en vérifier le fonctionnement avant de procéder à l'installation finale.
- Retirer la pellicule protectrice de la hotte (s'il y a lieu).
- Lors d'une installation sous un cabinet : ajouter des fixations de bois d'au moins 4 pouces de large (non inclus) sur chaque côté. (Voir Photo 2)
- Mesurer et prévoir un accès pour des fils électriques sous le cabinet.
- Couper le conduit d'échappement selon la taille du tuyau de décharge. (Voir Photo 3)

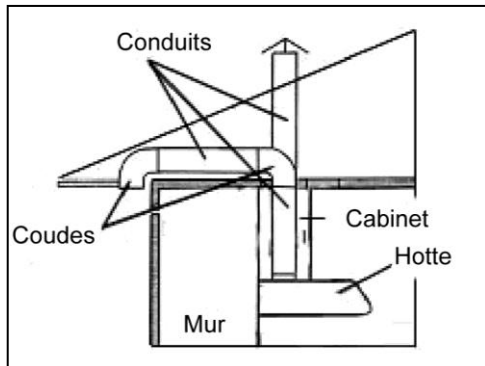


Photo 1

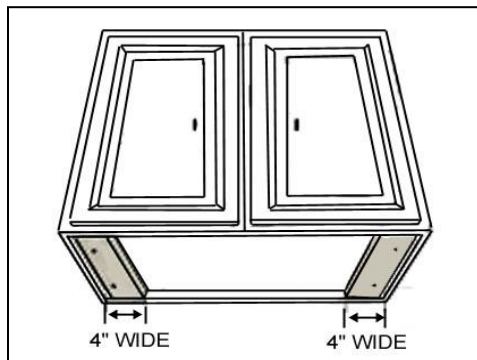


Photo 2

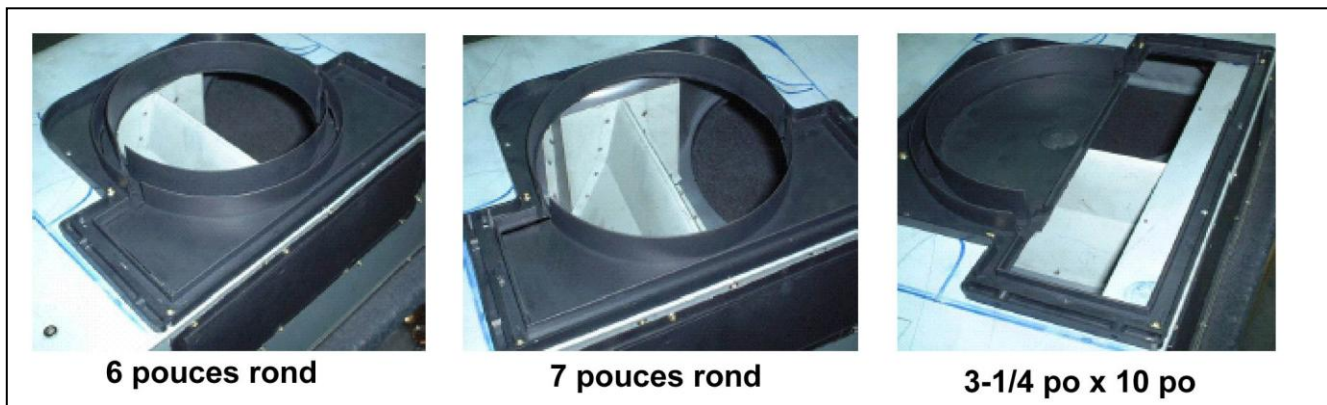


Photo 3

Installation de la hotte

AVERTISSEMENT: S'il faut déplacer une cuisinière électrique pour installer la hotte, couper d'abord l'alimentation électrique à cette cuisinière par le tableau de distribution principal. COUPER LE GAZ AVANT DE DÉPLACER UNE CUISINIÈRE À GAZ.

1. Perforer les trous de décochage sur la hotte tel qu'indiqué à la Photo 4.
2. Si nécessaire, placer les fils électriques pour qu'ils passent au travers de la perforation de 1po de diamètre situé sur le dessus ou à l'arrière de la hotte. Veuillez vous référer à la Photo 5.
3. En utilisant les références de la Table 1 et les mesures à la Page 53 centrer la hotte capuchon en place au-dessous du cabinet et vis à vis le devant du cabinet.



Photo 4



Trou 1po de diamètre

Photo 5

4. Passer les fils électriques au travers de l'ouverture d'accès des cabinets.
5. Insérer les vis en (non fournies) exactement au centre de chaque trou de décochage. Assurez-vous toutes les vis sont en place avant de les resserrer. **AVERTISSEMENT : ASSUREZ-VOUS QUE LA HOTTE EST SOLIDEMENT FIXÉE EN PLACE AVANT DE LA RELACHER.**

Installation des conduits

2. Utiliser des tuyaux d'aluminium ou d'acier pour relier le joint de raccordement en plastique de la hotte aux conduits dessus. Utiliser du ruban adhésif pour sceller les joints sûrs et ainsi obtenir une parfaite étanchéité.

INSTALLATION SOUS UNE ARMOIRE - CONDUIT ARRIÈRE

Préparation avant installation

NOTE: AFIN D'ÉVITER QUE VOTRE HOTTE NE SUBISSE DES DOMMAGES, ASSUREZ-VOUS QUE L'OUVERTURE N'EST PAS BLOQUÉE ET EMPÊCHER QUE DES DÉBRIS NE PENÈTRE DANS L'OUVERTURE DES CONDUITS.

- Planifier l'emplacement du conduit d'aération qui cheminera de la hotte vers l'extérieur. (Voir Photo 6)
- Un parcours droit, court et dirigé permettra à la hotte de mieux performer.
- Il est toujours préférable de limiter le nombre de transitions, coudes et passages. Les changements de direction affecteront la performance de votre hotte.
- Connecter temporairement la hotte afin d'en vérifier le fonctionnement avant de procéder à l'installation finale.
- Retirer la pellicule protectrice de la hotte (s'il y a lieu).
- Lors d'une installation sous un cabinet : ajouter des fixations de bois d'au moins 4 pouces de large (non inclus) sur chaque côté. (Voir Photo 7)
- Mesurer et prévoir un accès pour les fils électriques sous le cabinet ou raccorder en passant par l'ouverture pour les fils à l'arrière de la hotte.
- Retirer les vis sur la plaque de sortie arrière et couper le long de la ligne d'ouverture du conduit intérieur. (Voir Photo 8)
- Couper la plaque de sortie arrière et changez-la de côté. Référez-vous à la Photo 9. Rattachez la plaque de sortie arrière.

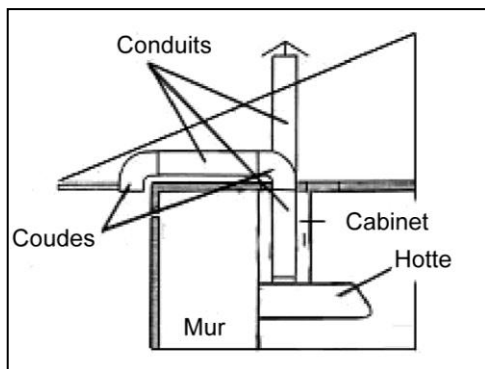


Photo 6

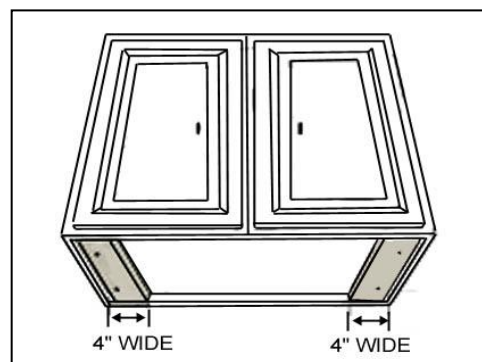


Photo 7



Photo 8

Couvercle
intérieur
(arrière)

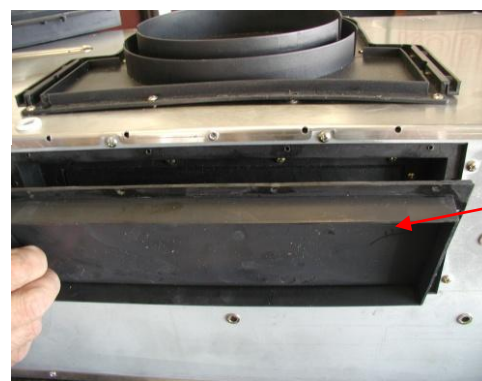


Photo 9

Couvercle
inversé
(arrière)

AVERTISSEMENT: S'il faut déplacer une cuisinière électrique pour installer la hotte, couper d'abord l'alimentation électrique à cette cuisinière par le tableau de distribution principal. COUPER LE GAZ AVANT DE DÉPLACER UNE CUISINIÈRE À GAZ.

1. Perforer les trous de décochage sur la hotte tel qu'indiqué à la Photo 10.
2. Dévisser et retirer l'adaptateur de sortie multi conduits. Remplacez-le par la plaque de conduit {en forme de D} tel qu'indiqué à la Photo 11.



Photo 10

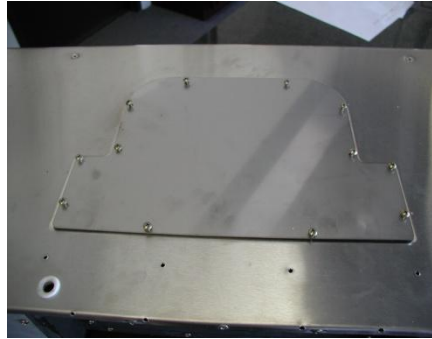
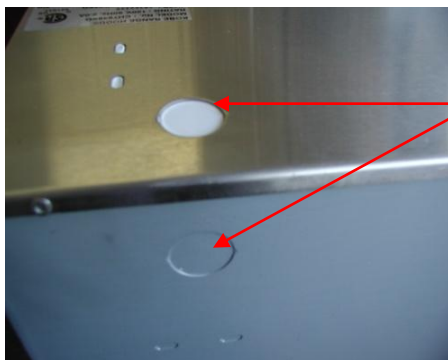


Photo 11

3. Si nécessaire, placer les fils électriques pour qu'ils passent au travers de la perforation de 1po de diamètre situé sur le dessus ou à l'arrière de la hotte. Veuillez vous référer à la Photo 12.
4. En utilisant les références de la Table 1 et les mesures à la Page 53, centrer la hotte en place au-dessous du cabinet vis à vis le devant du cabinet. Passer les fils électriques au travers de l'ouverture d'accès des cabinets.
5. Insérer les vis (non fournies) exactement au centre de chaque trou de décochage. Assurez-vous que toutes les vis sont en place avant de les resserrer. **AVERTISSEMENT : ASSUREZ-VOUS QUE LA HOTTE EST SOLIDEMENT FIXÉE EN PLACE AVANT DE RELACHER L'APPAREIL.**



Trou 1po de diamètre

Photo 12

Raccordement aux conduits

6. Utiliser des tuyaux d'aluminium ou d'acier pour relier le joint de raccordement en plastique de la hotte aux conduits dessus. Utiliser du ruban adhésif d'aluminium pour sceller les joints sûrs et ainsi obtenir une parfaite étanchéité.

INSTALLATION SOUS UN ÎLOT - CONDUIT SUPÉRIEUR

*** Cette installation est possible uniquement avec l'achat d'un couvre-conduit en option.

Préparation avant Installation

NOTE: AFIN D'ÉVITER QUE VOTRE HOTTE NE SUBISSE DES DOMMAGES, ASSUREZ-VOUS QUE L'OUVERTURE N'EST PAS BLOQUÉE ET EMPÊCHER QUE DES DÉBRIS NE PENÈTRE DANS L'OUVERTURE DES CONDUITS.

- Déterminer l'emplacement du conduit d'aération de la hotte vers l'extérieur. Référez-vous à la Photo 13.
- Une canalisation droite, courte et dirigée permettra à la hotte de s'exécuter plus efficacement.
- Lorsque possible, diminuer le nombre de transitions, coudes et longueurs. Les changements de direction affecteront la performance de votre hotte.
- Utiliser un ruban adhésif (Duct tape) en toile pour sceller tous les joints, et ainsi assurer une parfaite étanchéité.
- Si nécessaire, préparez le mur arrière avec un soutien additionnel pour une installation sécuritaire.
- En utilisant les références à la Table 2 et les mesures à la Page 53-54, régler la hauteur du soutien additionnel. Référez-vous à la Photo 14.

Préparation de la hotte avant installation

- Fixer temporairement la hotte afin d'en évaluer le fonctionnement avant de procéder à l'installation permanente.
- Retirer le film protecteur de la hotte et du couvre conduit.
- Découper l'ouverture multi conduit selon la taille des tuyaux d'échappement. Référez-vous à la Photo 15.

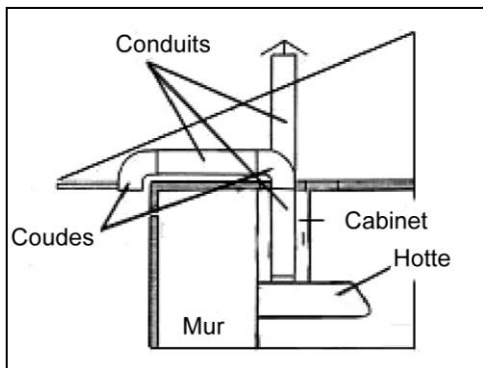


Photo 13

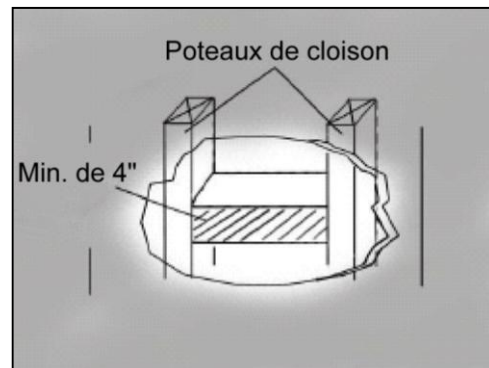


Photo 14

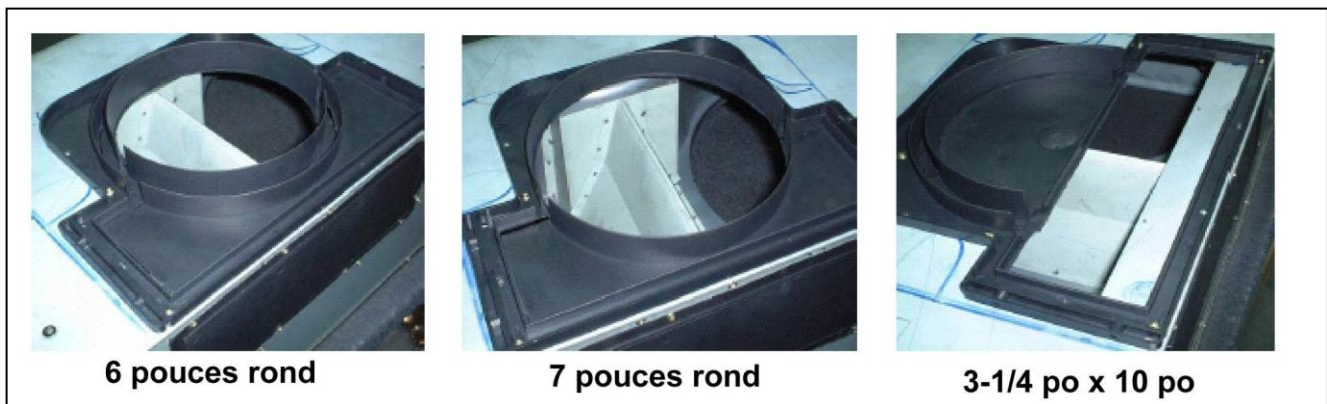


Photo 15

- Si nécessaire, fixer les deux fixations (fournies) en caoutchouc en compagnie des deux vis (4x8 mm) (fournies) à l'arrière de la hotte.
- Fixer le support de montage au dos de la hotte avec l'aide des neuf (3/16po x 3/8po) vis (fournies) tel qu'indiqué à la Photo 16.

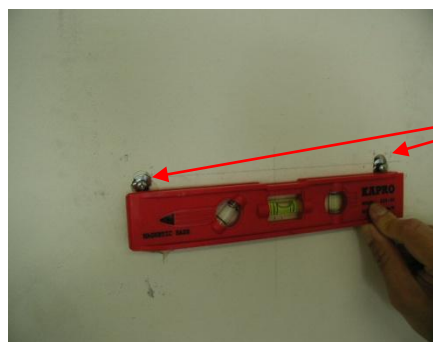
Installation de la hotte

AVERTISSEMENT: S'il faut déplacer une cuisinière électrique pour installer la hotte, couper d'abord l'alimentation électrique à cette cuisinière par le tableau de distribution principal. COUPER LE GAZ AVANT DE DÉPLACER UNE CUISINIÈRE À GAZ.

1. En utilisant en référence la Table 2 et les mesures à la Page 53-54, repérez le point de nivellement de la hotte. Installer deux vis de fixation (non fournies) sur le mur, laissant 1/8po d'espace par rapport au mur comme indiqué à la Photo 17.



Photo 16



Vis de
montage

Photo 17

2. Aligner le support de montage avec les deux vis sur le mur et fixer la hotte en la hotte en place. **AVERTISSEMENT : ASSUREZ-VOUS QUE LA HOTTE EST BIEN FIXÉE AVANT DE LA RELÂCHER.**

Installation avec couvre- conduits

3. Repérer la position de la fixation pour couvre conduit. Utiliser comme référence l'indication **E** de la Table 2 et le mesures à Page 53-54. Attacher de façon sécuritaire la fixation pour couvre conduit à l'aide de deux vis (non fournies). Référez-vous à la Photo 18. **NOTE : la doublure du couvre conduit masquera la fixation.**
4. Utiliser des conduits d'aluminium ou d'acier pour connecter la sortie arrière à la canalisation. Utiliser un ruban adhésif en toile pour sceller tous les joints, et ainsi assurer une parfaite étanchéité.
5. Brancher les fils électriques. Voir la section « Branchement des fils électriques » à la Page 48.
6. Glisser la doublure du couvre conduit environ 2 pouces avant d'introduire le couvre conduit entier. Voir la Photo 19.



Photo 18



Photo 19

7. Ajuster la hauteur de la doublure intérieure du couvre conduit a la fixation du couvre conduit. Sécuriser la doublure intérieure du couvre conduit avec deux (4x8 mm) vis (fournies) tel comme indiqué à la Photo 20.



Attacher ensemble

Photo 20

8. Attacher la doublure extérieure du couvre conduit à l'adaptateur d'échappement multi conduits de la hotte avec les quatre vis 4x8 mm (fournies).

INSTALLATION SOUS UN ÎLOT - CONDUIT ARRIÈRE

*** Cette installation est possible uniquement avec l'achat d'un couvre-conduit en option.

Préparation avant Installation

NOTE: AFIN D'ÉVITER QUE VOTRE HOTTE NE SUBISSE DES DOMMAGES, ASSUREZ-VOUS QUE L'OUVERTURE N'EST PAS BLOQUÉE ET EMPÊCHER QUE DES DÉBRIS NE PENÈTRE DANS L'OUVERTURE DES CONDUITS.

- Déterminer l'emplacement du conduit d'aération de la hotte vers l'extérieur. Référez-vous à la Photo 21.
- Une canalisation droite, courte et dirigée permettra à la hotte de s'exécuter plus efficacement.
- Lorsque possible, diminuer le nombre de transitions, coudes et longueurs. Les changements de direction affecteront la performance de votre hotte.
- Utiliser un ruban adhésif en toile pour sceller tous les joints, et ainsi d'assurer une parfaite étanchéité.
- Si nécessaire, préparez le mur arrière avec un soutien additionnel pour une installation sécuritaire.
- En utilisant les références à la Table 2 et les mesures à la Page 53-54, régler la hauteur du soutien additionnel. Référez-vous à la Photo 22.

Préparation de la hotte avant Installation

- Fixer temporairement la hotte afin d'en évaluer le fonctionnement avant de procéder à l'installation permanente.
- Retirer le film protecteur de la hotte et du couvre conduit.
- Retirer les vis de la plaque de sortie (arrière) et couper le long de la ligne de l'ouverture de la plaque de sortie intérieure (arrière). Voir Photo 23.
- Découper l'ouverture multi conduit selon la taille des tuyaux d'échappement. Référez-vous à la Photo 24.

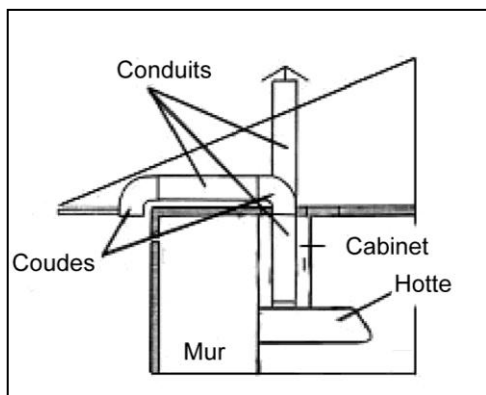


Photo 21

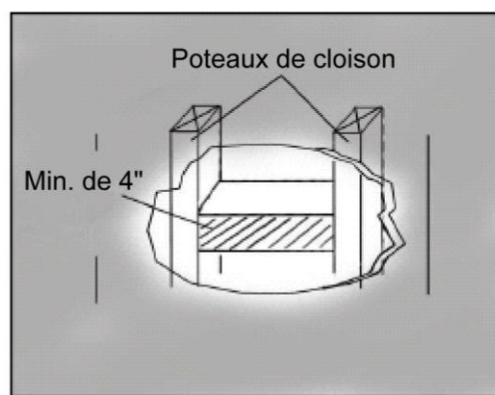


Photo 22

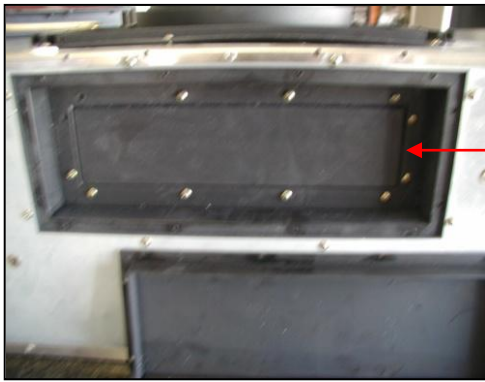


Photo 23

Couvercle
intérieur
(arrière)

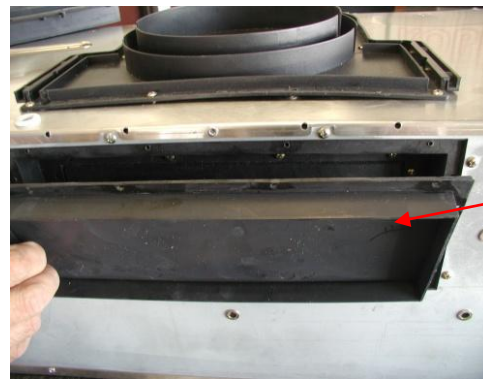


Photo 24

Couvercle
inversé
(arrière)

- Si nécessaire, fixer les deux fixations (fournies) en caoutchouc en compagnie des deux vis (4x8 mm) (fournies) à l'arrière de la hotte.
- Fixer le support de montage au dos de la hotte avec l'aide des neuf (3/16po x 3/8po) vis (fournies) tel qu'indiqué à la Photo 25.

Installation de la hotte

AVERTISSEMENT: S'il faut déplacer une cuisinière électrique pour installer la hotte, couper d'abord l'alimentation électrique à cette cuisinière par le tableau de distribution principal. COUPER LE GAZ AVANT DE DÉPLACER UNE CUISINIÈRE À GAZ.

1. En utilisant en référence la Table 2 et les mesures à la Page 53-54, repérez le point de nivellement de la hotte. Installer deux vis de fixation (non fournies) sur le mur, laissant 1/8po d'espace par rapport au mur comme indiqué à la Photo 26.



Photo 25

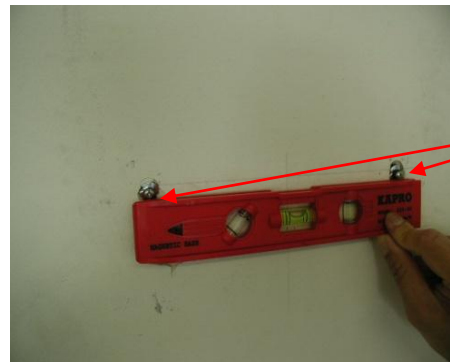


Photo 26

Vis de montage

2. Utiliser un tuyau d'aluminium ou d'acier pour raccorder l'ouverture de sortie à l'arrière de la hotte au conduit. Utiliser du ruban adhésif entoilé d'aluminium pour rendre tous les raccords sécuritaires et hermétiques.
3. Aligner le support de montage avec les deux vis sur le mur et fixer la hotte en place. **AVERTISSEMENT : ASSUREZ-VOUS QUE LA HOTTE EST BIEN FIXÉE AVANT DE LA RELÂCHER.**

Installation avec couvre- conduit

- Repérer la position de la fixation pour couvre conduit. Utiliser comme référence l'indication **E** de la Table deux (2) et le mesures à Page 53-54. Attacher de façon sécuritaire la fixation pour couvre conduit à l'aide de deux vis (non fournies). Référez-vous à la Photo 27. **NOTE : la doublure du couvre conduit masquera la fixation.**
- Brancher les fils électriques. Voir la section « Branchement des fils électriques » à la Page 48.
- Glisser la doublure du couvre conduit environ 2 pouces avant d'introduire le couvre conduit entier. Voir la Photo 28.



Photo 27



Photo 28

- Ajuster la hauteur de la doublure intérieure du couvre conduit a la fixation du couvre conduit. Sécuriser la doublure intérieure du couvre conduit avec deux (4x8 mm) vis (fournies) tel comme indiqué à la Photo 29.



Attacher ensemble

Photo 29

- Attacher la doublure extérieure du couvre conduit à l'adaptateur d'échappement multi conduits de la hotte avec les quatre vis 4x8 mm fournies.

Connexion à l'alimentation d'énergie

⚠ AVERTISSEMENT DE SÉCURITÉ

POUR RÉDUIRE LE RISQUE D'INCENDIE OU D'ÉLECTROCUTION L'APPAREIL DOIT ÊTRE CORRECTEMENT MIS A LA TERRE. LES TRAVAUX D'INSTALLATION ET DE CÂBLAGE ÉLECTRIQUE DOIVENT ÊTRE FAITS PAR UN ÉLECTRICIEN QUALIFIÉ CONFORMÉMENT AUX CODES NATIONAUX ET LOCAUX ÉLECTRIQUES APPLICABLES. AVANT DE CONNECTER CET APPAREIL : ÉTEIGNEZ L'ALIMENTATION À PARTIR DU PANNEAU ÉLECTRIQUE PRINCIPAL ET BLOQUER LE DISPOSITIF DE DÉCONNEXION POUR EMPÊCHER QUE LE POUVOIR NE SOIT ACCIDENTELLEMENT RALLUMÉ.

Connecter les fils électriques.

- Raccorder les trois fils (noir, blanc et vert) aux fils de la maison et couvrez-les avec des capuchons de connexion. Raccorder les fils selon la couleur: noir avec noir, blanc avec blanc et vert avec vert.
- S'assurer que les fils ne glissent pas entre le moteur et toute autre pièce en mouvement en les enfonçant adéquatement dans la boîte électrique.

Assemblage final

1. Placer les filtres déflecteurs sous la hotte. Voir photo 30.

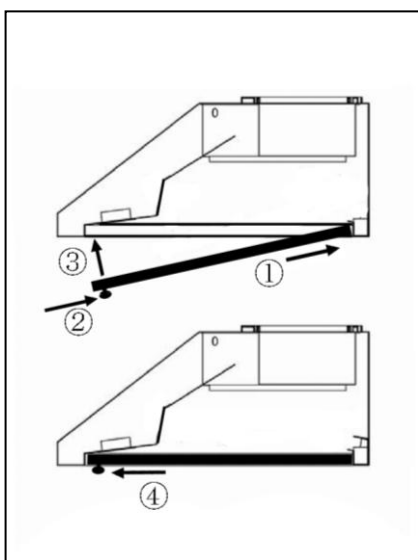


Photo 30

MODE D'EMPLOI

Cette hotte de cuisinière KOBE possède quatre commandes électroniques munies d'un démarrage avec garde de 10 secondes et d'un dispositif d'arrêt à retardement de 30 secondes, deux puissants ventilateurs avec filtres défecteurs et lampes halogènes 12 volts, 20 watts.

Il existe quatre commandes électroniques: la commande des lampes « Light control », la commande de vitesse A « Speed Control A », la commande de vitesse B « Speed Control B » et la commande marche/arrêt « ON/OFF ». Voir photo 31.

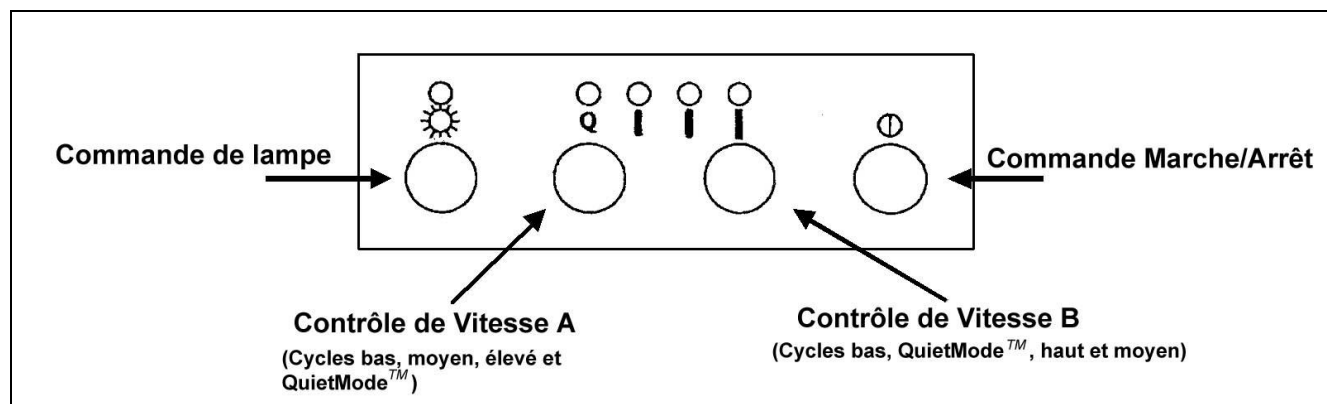


Photo 31

MISE EN MARCHÉ

- **Presser une fois sur le bouton marche/arrêt.**
(Note : Si aucun des autres boutons n'est enfoncé en-dedans de 10 secondes, la hotte se fermera automatiquement.)
- **La hotte démarre à basse vitesse. Chaque fois que la commande de vitesses est enfoncée, le cycle passe à la vitesse suivante.**
- **Presser sur le bouton de commande de vitesses A pour enclencher le cycle bas, moyen, élevé ou *QuietMode*™.**
- **Presser sur le bouton de commande de vitesses B pour enclencher le cycle bas, *QuietMode*™, élevé ou moyen.**
(Note : Les commandes de vitesses A ou B mettront en marche les deux ventilateurs. Ces deux boutons de vitesses vous permettront cependant de changer de vitesse plus rapidement.)
- **Presser sur le bouton de commande des lampes pour allumer les lampes halogènes.**

ARRÊT

- **Presser une fois sur le bouton marche/arrêt, les lampes vont clignoter et le courant sera coupé entièrement après 30 secondes.**
OU
- **Presser deux fois sur le bouton marche/arrêt, le courant se coupera immédiatement.**
- **Si seules les lampes sont allumées, en pressant une fois sur le bouton marche/arrêt, le courant se fermera après 30 secondes.**

ENTRETIEN- NETTOYAGE

Pour favoriser un rendement optimal, nettoyer régulièrement les surfaces de la hotte et les filtres déflecteurs.

Nettoyage Des Surfaces De La Hotte

AVERTISSEMENT : NE JAMAIS EMPLOYER DE NETTOYANTS OU LINGES ABRASIFS, OU ENCORE DE LAINES À RÉCURER.

*** Un entretien fréquent aidera à conserver une belle apparence à la hotte.

1. Utiliser seulement du savon doux ou du détergent. Sécher les surfaces avec un chiffon doux.
2. Si la hotte est tachée (hotte en acier inoxydable), utiliser un nettoyant pour acier inoxydable pour nettoyer les surfaces de la hotte. Éviter de mettre du nettoyant sur le panneau de commande. Suivre les directives du nettoyant pour acier inoxydable. **Avertissement : Ne jamais laisser de nettoyant durant une longue période de temps, puisque ceci pourrait endommager la finition de la hotte.** Utiliser un chiffon doux pour enlever tout résidu de solution nettoyante, frotter légèrement toutes taches tenaces. Sécher la hotte avec un chiffon doux. Sécher la hotte avec un chiffon doux.
3. NE PAS laisser les dépôts s'accumuler durant de longues périodes de temps.
4. NE PAS utiliser de laines ou de brosses à récurer ordinaires. Des particules d'acier peuvent adhérer à la surface et la faire rouiller.
5. NE PAS permettre à des solutions salines, des désinfectants, des javellisants ou des agents nettoyants de rester en contact avec l'acier inoxydable durant de longues périodes. Plusieurs de ces nettoyants contiennent des produits chimiques pouvant causer du tort à l'acier inoxydable. Après tout contact de ce type, rincer à l'eau et essuyer avec un chiffon doux.

Nettoyage Des Filtres Déflecteurs Et Du Récupérateur à Graisse

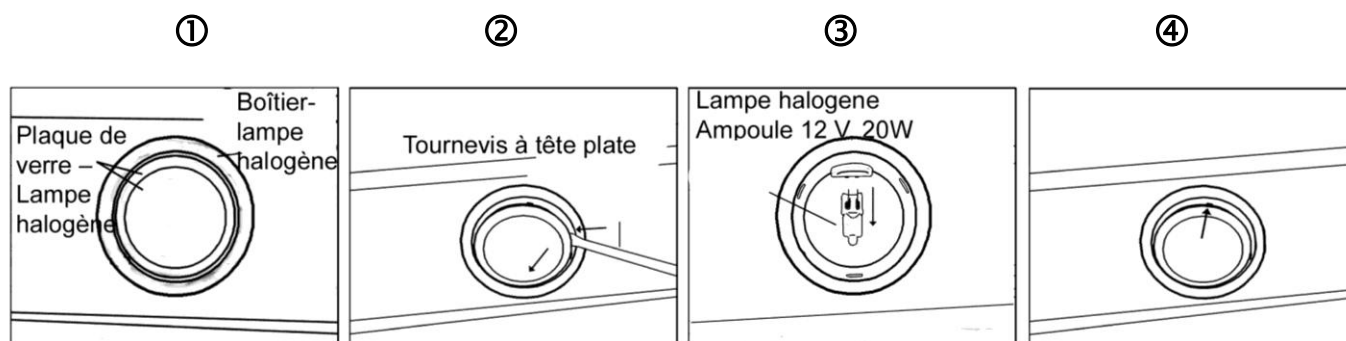
AVERTISSEMENT : VIDER LES FILTRES DÉFLECTEURS ET LE RÉCUPÉRATEUR À GRAISSE AVANT QU'IL N'Y AIT TROP D'ACCUMULATION.

1. Retirer les filtres déflecteurs et le récupérateur à graisse.
2. À l'aide d'une éponge, laver dans une eau chaude savonneuse. Sécher entièrement avant de remettre en place.

(Note : les filtres peuvent être nettoyés en toute sécurité dans le haut du lave-vaisselle)

Remplacement d'une ampoule

AVERTISSEMENT : LA LAMPE HALOGÈNE PEUT ÊTRE BRÛLANTE ! ATTENDRE QU'ELLE SE REFROIDISSE AVANT DE PROCÉDER.



1. S'assurer que toutes les commandes sont en mode ARRÊT et que la hotte de cuisinière est débranchée.
2. Glisser le tournevis à tête plate dans l'espace entre la plaque de verre et le boîtier de la lampe. ①
3. Retirer la plaque de verre. ②
4. En douceur, tirer sur l'ampoule défectueuse pour l'enlever et la jeter. Les ampoules à utiliser doivent être de 12 V et de 20 W au maximum. ③
5. À l'aide d'un linge, tenir la nouvelle ampoule et la pousser fermement dans la douille.
6. Remettre la plaque de verre par-dessus le boîtier. ④
7. Brancher la hotte de cuisinière pour en vérifier le fonctionnement.

SPÉCIFICATIONS

MODÈLE / FORMAT	CH2230SQB / 30 po CH2236SQB / 36 po			
COULEUR	Acier inoxydable de qualité commerciale			
CONSOMMATION	30 po - 232 W / 2.21 A 36 po - 232 W / 2.21 A			
VOLTAGE	120 V - 60 Hz			
NOMBRE DE MOTEURS	2			
DESIGN	Fini satiné sans joints de calibre 18 / Fini satiné			
TYPE DE VENTILATEUR	Pale de turbine double			
ÉVACUATION	Sur le dessus 6po rond 7po rond 3-1/4po x 10po Rectangulaire A l'arrière 3-1/4po x 10po Rectangulaire			
COMMANDES	Commandes électroniques (4 boutons) – Démarrage avec garde de 10 secondes Dispositif d'arrêt à retardement de 30 secondes			
LAMPES HALOGÈNES	30 po - 2 ampoules 12 V, 20 W 36 po - 2 ampoules 12 V, 20 W			
DIMENSIONS DE LA HOTTE (LARGEUR X PROFONDEUR X HAUTEUR)	(CH2230SQB) 29-3/4 "x 22" x 5-7/8 " (CH2236SQB) 35-3/4 "x 22" x 5-7/8 "			
ACCESSOIRES EN OPTION (LARGEUR X PROFONDEUR X HAUTEUR)	1) Couvre conduit réglable en deux-pièces (CH1120DC) 11-3/4 "x 10-1/4" x (20-5/8 " ~ 39-3/4") 2) Panneau arrière en acier Inoxydable de 30 " (SSP30) 30 "x 1/10" x 32 " 3) Panneau arrière d'acier Inoxydable de 36 " (SSP36) 36 "x 1/10" x 32 "			
POIDS DE LA HOTTE (lb)			NET	BRUT
	(CH2230SQB)		45	64
	(CH2236SQB)		47	66
VITESSE	QuietMode™	Basse	Moyenne	Élevée
Capacité d'air (cfm)	300	450	600	720
Sone	1.2	3.0	4.5	4.8

* Les spécifications sont sujettes à changement sans préavis.

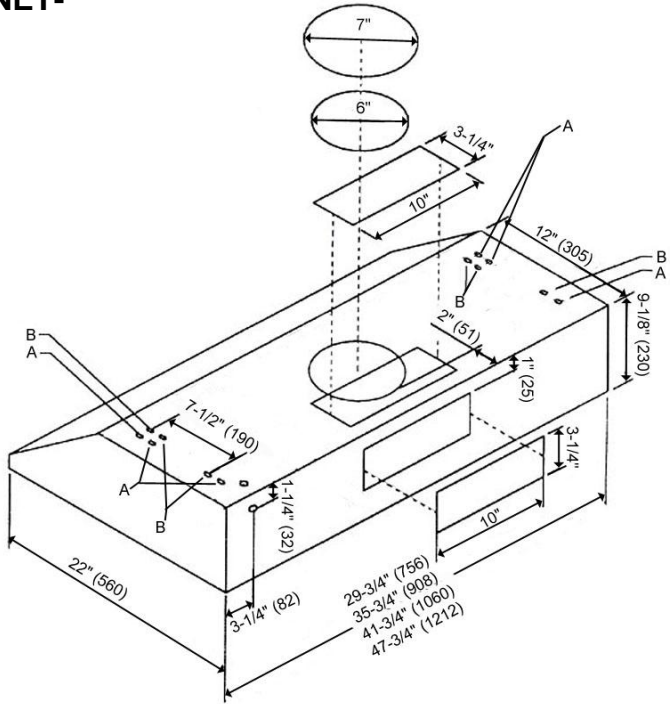
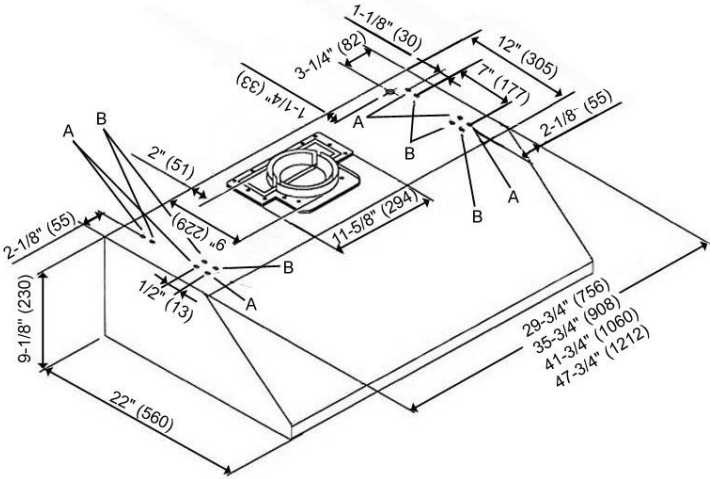
MESURES et DIAGRAMMES

*** Toutes les mesures de pouce sont converties à partir de millimètres. Les mesures en pouces sont estimées.

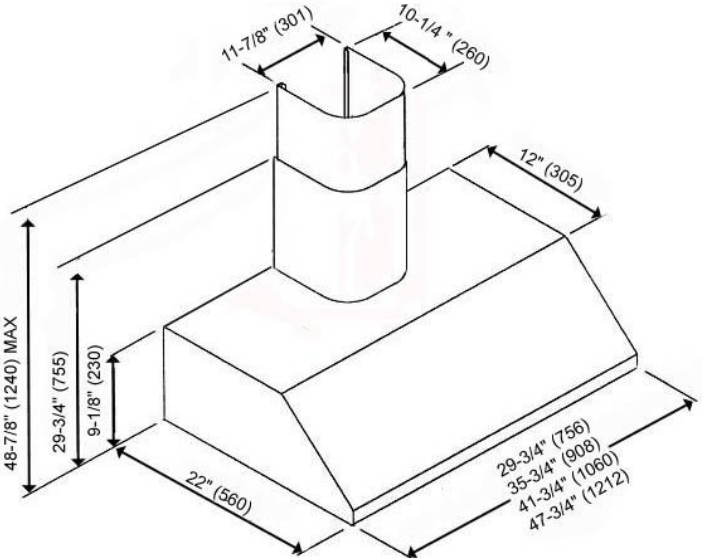
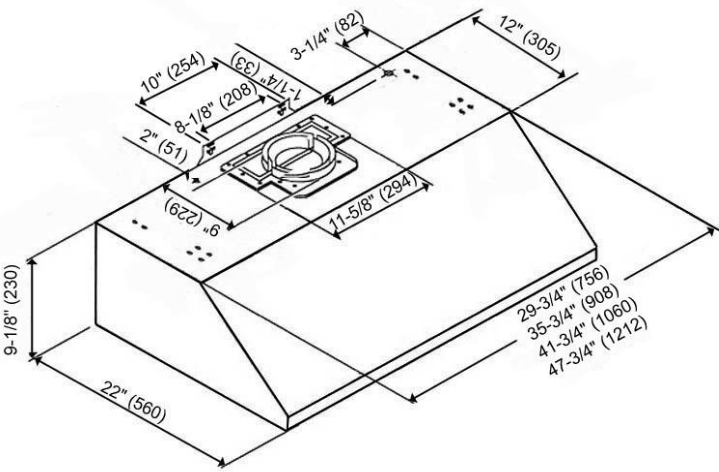
*** Toutes les mesures entre parenthèses () sont des millimètres.

- SOUS LE CABINET -

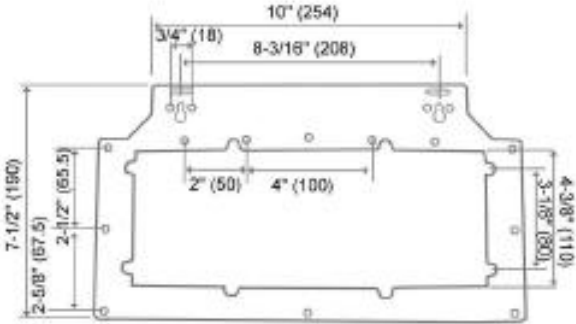
30po= Trous de montage perçage " A "
 36po, 42po, 48po = Trous de montage "A et B "



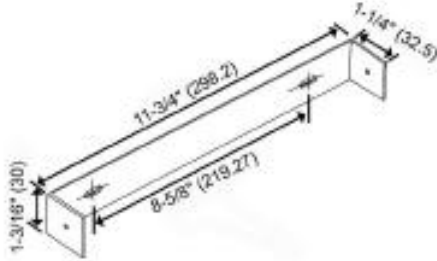
-POUR MODÈLE ILOT (AVEC COUVERTURE DE CONDUIT FACULTATIVE)-



*** Support de fixation – hotte



*** Support de fixation – couvre-conduit



LISTE DES PIÈCES

N^{os} de modèles: **CH2230SQB**
 CH2236SQB

N ^o	DESCRIPTION	MODÈLE/FORMAT	N ^o DE PIÈCE
1	Adaptateur de sortie multi conduit		C1-0507-1530
2	Plaque de sortie verticale		B101-1530-12
3	Vis de plaque pour sortie verticale		C1-0508-1530-A
4	Adaptateur rectangulaire sortie arrière		C1-0508-1530-B
5	Caisson supérieur de la hotte	CH2230SQB	10-1630A
		CH2236SQB	10-1636A
6	Lumières halogènes (12V, 20W max.)		C1-0403-0101
7	Boîtier de contrôle		C1-0501-0101
8	Tableau de commandes (contrôle)		C1-0404-4001-A
9	Support de contrôle		C1-0207-5200
10	Support de transformateur		C1-0201-1530
11	Transformateur (moteur)		C1-0207-5200
12	Boîtier de moteur		
A	Boîtier de moteur (supérieur)	CH2230SQB	C1-0101-1530
B	Boîtier de moteur (latéral)	CH2230SQB	C1-0102-1530
A	Boîtier de moteur (supérieur)	CH2236SQB	C1-0101-1542
B	Boîtier de moteur (latéral)	CH2236SQB	C1-0102-1542
13	Transformateur (lumière)	CH2230SQB	C1-0402-0120-40
		CH2236SQB	
14	Condensateur		C1-0401-0120-01
15	Boîtier du processeur		C1-0501-0102
16	Processeur		C1-0404-4110-B
17	Moteur(droit)		C1-0301-0120-29B
18	Moteur (gauche)		C1-0301-0120-29A
19	Pale de turbine (droite)		C1-0251-0880-B
20	Pale de turbine (gauche)		C1-0251-0880-A
21	Couvercles de récupérateur de graisse		C1-0502-0301
22	Récupérateur de graisse		C1-0502-0102
23	Capuchon en plastique de pale de turbine		C1-0251-0001
24	Grilles de sûreté		C1-0602-0101
25	Filtre défecteur		B101-1930-15
26	Panneau pare-éclaboussures	CH2230SQB	????????

Couvre-conduit optionnel

N ^o	DESCRIPTION	MODÈLE/FORMAT	N ^o DE PIÈCE
01	Support de fixation de la hotte		C1-0221-1530
02	Vis (TS 4 x 8mm)		C1-0708-0006
03	Couvre conduit	CH1120DC	12-15300-51
04	Support de fixation pour couvre conduit		C1-0221-1530
05	Vis (3/16 po x 3/8 po)		C1-0707-0001
06	Socle de caoutchouc		C1-0511-0382
07	Vis (TS 4 x 8 mm)		C1-0708-0006

N^{os} de modèles

CH2230SQB
CH2236SQB

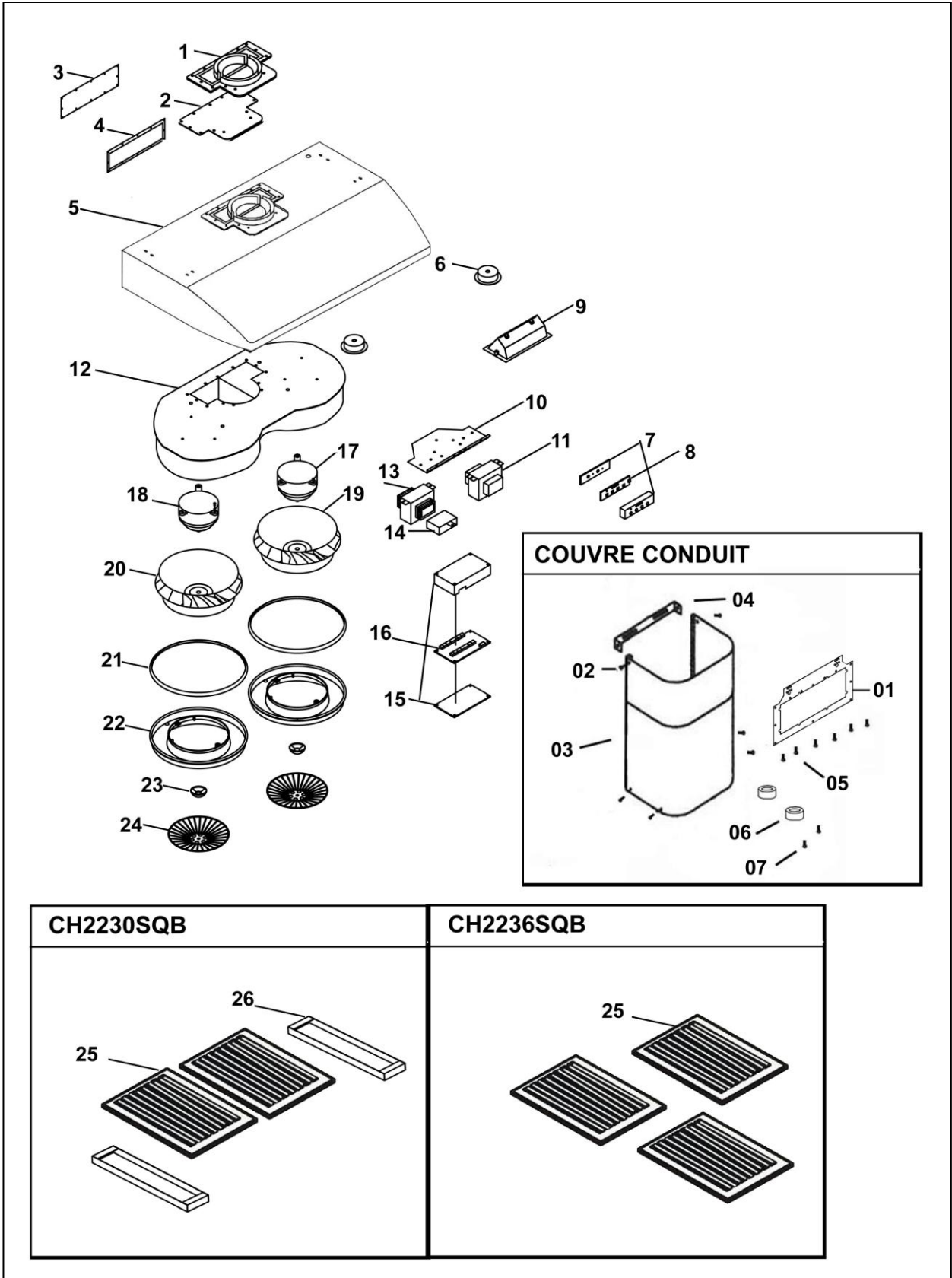
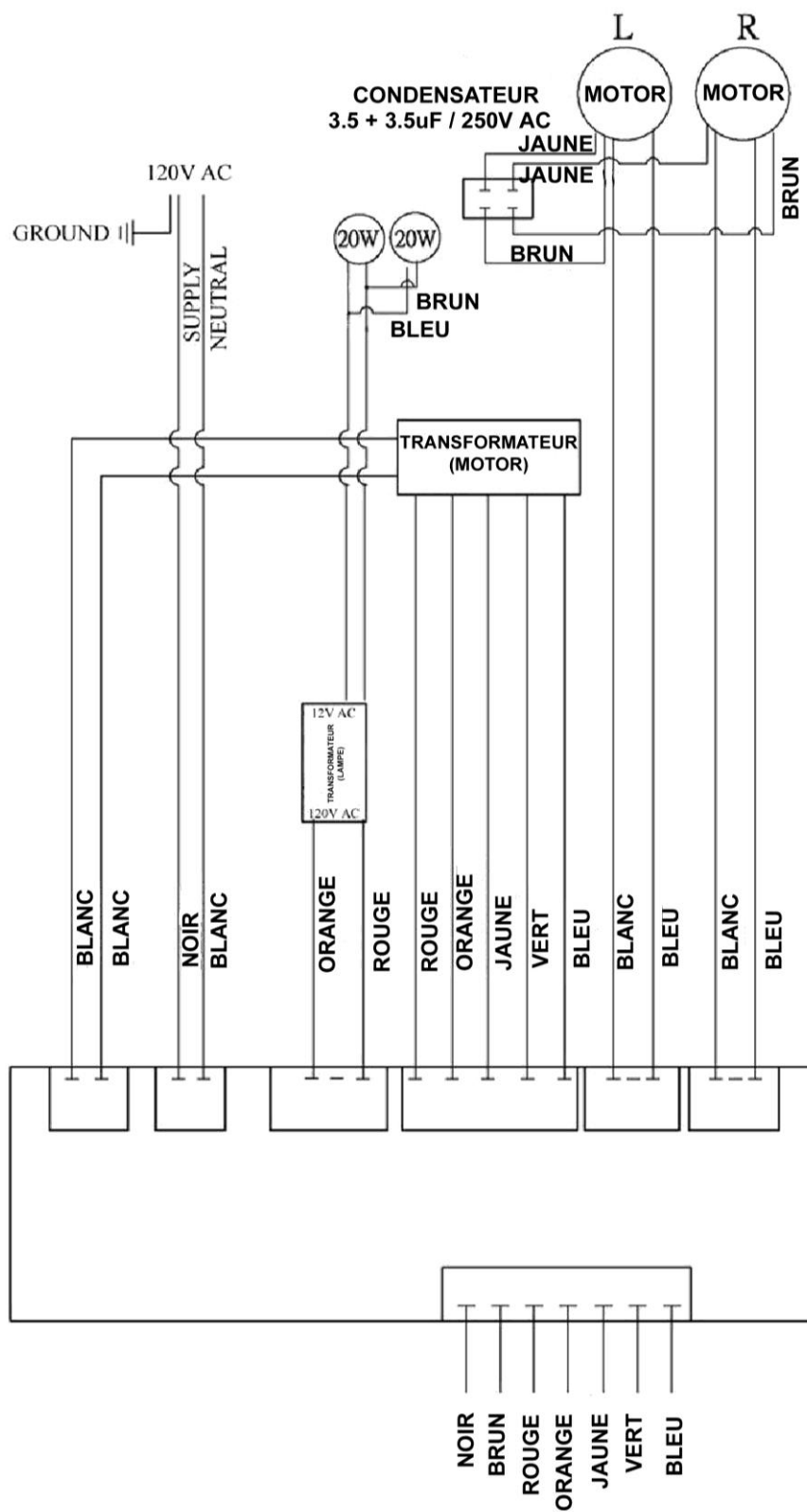


DIAGRAMME DES CIRCUITS

N^{os} de modèles

CH2230SQB
CH2236SQB



TROUBLE SHOOTING

Problème	Cause probable	Solution
Après l'installation, les deux moteurs et les lumières ne fonctionnent pas.	Pas d'alimentation électrique. Assurez-vous que le disjoncteur et que l'alimentation électrique soient en marche.	Utilisez un voltmètre pour vérifier l'alimentation en électricité.
	Le câblage n'est pas bien installé.	Vérifiez et serrez les connexions de fils.
	Le câblage du panneau de commande et de la carte processeur est débranché.	Vérifiez le câblage au complet à partir du panneau de commande jusqu'à la carte processeur.
	Le transformateur du moteur est défectueux	Vérifiez l'entrée de courant et la sortie de courant du transformateur du moteur. Si nécessaire, remplacez le transformateur du moteur.
Les lumières fonctionnent, mais pas le(s) moteur(s).	Le(s) moteur(s) est (sont) défectueux.	Remplacez le(s) moteur(s).
	Le(s) condensateur(s) est (sont) défectueux.	Remplacez le(s) condensateur(s).
La hotte de cuisine vibre.	Le panneau de commande ou la carte processeur est défectueux.	Remplacez le panneau de commande ou la carte processeur.
	Le système de ventilation n'est pas bien installé.	Serrez la pale turbine/cage d'écureuil et le réservoir d'air.
	La pale turbine/cage écureuil n'est pas bien balancée.	Remplacez la pale turbine/cage d'écureuil.
Le moteur fonctionne, mais pas les lumières.	La hotte n'est pas assez bien serrée.	Vérifiez l'installation de la hotte, serrez le support de fixation.
	L'ampoule de la lampe halogène est défectueuse.	Essayez l'ampoule de lampe défectueuse sur une douille qui fonctionne. Si l'ampoule ne fonctionne toujours pas, remplacez-la.
	Le câblage de la lampe n'est pas assez serré.	Vérifiez le câblage au complet à partir de la carte processeur jusqu'au transformateur puis jusqu'au boîtier.
	Le transformateur de la lumière est défectueux.	Vérifiez l'entrée de courant et la sortie de courant du transformateur de lampe. Si nécessaire, remplacez le transformateur de lampe.
La hotte de cuisine ne ventile pas correctement.	Le panneau de commande ou la carte processeur est défectueux.	Remplacez le panneau de commande ou la carte processeur.
	La hotte de cuisine est installée hors des limites recommandées par le fabricant.	Ajustez le dégagement entre la hotte de cuisine et la table de cuisson pour qu'il soit de 27" à 30". Pour une hotte de cuisinière sur îlot, le dégagement entre la hotte de cuisine et la table de cuisson est de 30" à 36".
	Il n'y a pas d'air d'appoint à l'intérieur de la maison.	Ouvrez la fenêtre pour améliorer la performance de la hotte en créant suffisamment d'air d'appoint.
	Un obstacle bloque la canalisation.	Enlevez tous les obstacles de la canalisation.
De l'air froid entre dans la maison.	La canalisation est plus petite que la canalisation suggérée.	Changez la canalisation en accord avec les suggestions du fabricant.
	La connexion du conduit n'est pas scellée correctement.	Vérifiez l'installation du conduit.
	Le clapet n'est pas bien installé ou manque à l'installation.	Vérifiez l'installation du clapet.
	Le clapet n'est pas installé.	En installant le clapet, vous aiderez à éliminer le retour d'air.

GARANTIE

CERTIFICAT DE GARANTIE

KOBE (désigné ici par "nous" ou "notre") garantit à l'acheteur original (désigné ici par «vous» ou «votre») tous les produits sont fabriqués ou fournis par nous sont exempts de défaut de fabrication et de main-d'œuvre comme suit:

DEUX ANS DE GARANTIE LIMITÉE POUR LES PIÈCES ET MAIN D'OEUVRE LES SERIES KOBE PREMIUM:

Pendant deux ans à compter de la date de votre facture originale chez un concessionnaire agréé KOBE, nous allons, à notre seule discrétion, choisir de réparer ou de remplacer le produit gratuitement qui a échoué en raison de défauts de fabrication.

Il est de votre responsabilité exclusive de vous assurer que le produit est facilement accessible pour le technicien d'effectuer les réparations. **Le technicien de service ne va, en aucune circonstance, retirer, altérer ou modifier tout dispositif construit autour et/ou connecté à l'appareil, pour y accéder en vue d'effectuer des réparations.**

Au cours de la période de deux ans de garantie, des frais supplémentaires peuvent s'appliquer et comprennent, mais ne sont pas limités à:

- Les frais de service de voyage technicien si le centre de service demandé est de 30 miles de la zone de service autorisé par KOBE
- Dépenses d'expédition des pièces
- Non-installation d'un produit défectueux et installation d'appareil de remplacement

UN AN DE GARANTIE LIMITÉE POUR PIÈCES SUR LES SERIES KOBE Brillia:

Pendant un an à compter de la date de votre facture originale chez un concessionnaire agréé KOBE, nous vous fournirons gratuitement, les pièces pour remplacer celles qui ont échoué en raison de défauts de fabrication. C'est notre seule discrétion, choisir de réparer ou de remplacer les pièces défectueuses. Il est de votre seule responsabilité pour tous les coûts de main-d'œuvre associées à cette garantie.

Exclusions de la garantie:

Cette garantie ne couvre pas, y compris, mais sans s'y limiter, ce qui suit:

- a. Une mauvaise installation.
- b. Toute réparation, altération, modification non autorisée par KOBE.
- c. Altération de conduit, ou de modification et connexion.
- d. Mauvaise alimentation électrique, tension ou câblage.
- e. L'entretien normal et les services requis pour le produit.
- f. Les pièces consommables comme les ampoules et les filtres de carbone.
- g. Utilisation non conforme du produit qui n'était pas prévue, comme l'utilisation commerciale, utilisation à l'extérieur et multi-usage familial.
- h. L'usure normale.
- i. Chips, rayures ou les bosses, ou de le mauvais usage du produit.
- j. Les dommages causés par un accident, un incendie, une inondation et d'autres forces majeures.
- k. Les frais engagés pour des services situés à l'extérieur de la zone de service.

l. Les achats auprès des revendeurs non agréés.

m. Frais d'enlèvement de produits défectueux et frais installation associés à un produit de remplacement.

Si nous déterminons que les exclusions de garantie indiquées ci-dessus s'appliquent ou si vous ne fournissez pas tous les documents nécessaires pour le service de garantie, vous serez responsable de tous les frais associés à la prestation demandée, y compris les pièces, la main d'oeuvre, l'expédition, le déplacement et tous autres frais liés à la requête du service.

Pour le service sous garantie, vous devez:

1. Avoir la preuve d'achat originale
2. Être l'acheteur original du produit
3. Le numéro de modèle
4. Le numéro de série
5. Avoir une description de la nature de tout défaut dans le produit ou la pièce

POUR UN SERVICE DE GARANTIE, CONTACTEZ LE CENTRE DE SERVICE KOBE HOTTES:

CENTRE DE SERVICE KOBE
Tel: 1-855-800-KOBE (5623)
E-mail: kobe@adcoservice.com

FORMULAIRE D'INFORMATION SUR LA GARANT

Remplissez les espaces vides et garder ce papier avec la facture originale dans un endroit sûr pour un service futur.

1. Date d'achat : _____

2. Numéro de modèle : _____

3. Numéro de série : _____

Pour le service de garantie ou achat de pièces, contactez:

CENTRE DE SERVICE KOBE

Numéro vert: 1-855-800-KOBE (5623)

Email: kobe@adcoservice.com

Pour signaler un problème, contactez:

Numéro vert: 1-877-BUY-KOBE (289-5623)

Email: customer.service@koberangehoods.com

Pour des informations sur les produits, contactez:

Numéro vert: 1-877-BUY-KOBE (289-5623)

Email: info@koberangehoods.com

Vos remarques:

[ESPAÑOL]

ES IMPORTANTE QUE LEA ESTO PRIMERO

LEA ANTES DE LA INSTALACION

1. Revise cuidadosamente todos los contenidos del paquete;
2. Inspeccione cuidadosamente la unidad para los daños o defectos estéticos;
3. Pruebe la unidad antes de la instalación;
4. Deje que un contratista certificado / electricista realice la instalación.

SI HAY ALGUN PROBLEMA:

1. **NO INSTALE LA UNIDAD Y GUARDE EL EMPAQUE ORIGINAL.**
2. Tenga su recibo original de compra y número de serie del producto listo.
3. Llame al 1-877-BUY-KOBE (289-5623), o envíe correo electrónico a info@koberangehoods.com para informar del problema.

NO SE DEVUELVE, NO SE REEMBOLSA, NO SE ADMITEN CAMBIOS SI:

1. EL PRODUCTO HA SIDO INSTALADO
2. LOS PASOS CIEGOS HAN SIDO PERFORADOS
3. SE HA EXTRAVIADO MATERIAL Y / O PIEZAS ORIGINAL DEL PAQUETE

[SPANISH]

- LEA Y CONSERVE ESTAS INSTRUCCIONES -

ÍNDICE

INSTRUCCIONES IMPORTANTES DE SEGURIDAD	67
COMPONENTES DEL PAQUETE.....	69
INSTALACIÓN.....	70
INSTRUCCIONES DE OPERACIÓN	83
MANTENIMIENTO	84
ESPECIFICACIONES	86
MEDIDAS Y DIAGRAMAS	87
LISTADO DE PIEZAS	89
DIAGRAMA DE CIRCUITO	91
INSTRUCCIONES IMPORTANTES DE SEGURIDAD.....	92
GARANTÍA.....	93
REGISTRO DEL PRODUCTO	95

- LEA CUIDADOSAMENTE TODAS LAS INSTRUCCIONES ANTES DE
COMENZAR -

TODO EL CABLEADO DEBERÁ REALIZARSE POR UN PROFESIONAL Y DE ACUERDO
CON TODOS LOS CÓDIGOS ELÉCTRICOS NACIONALES Y LOCALES



INSTRUCCIONES IMPORTANTES DE SEGURIDAD

- POR FAVOR, LEA CUIDADOSAMENTE ESTA SECCIÓN ANTES DE INSTALAR -

⚠ ADVERTENCIA: PARA REDUCIR EL RIESGO DE INCENDIO, ELECTROCUCIÓN O LESIÓN PERSONAL, TOME EN CUENTA LO SIGUIENTE:

- 1) La instalación y el cableado eléctrico deberán realizarse por profesionales calificados y de acuerdo con todos los códigos y estándares correspondientes, incluyendo los códigos y normas sobre la construcción para prevenir incendios.
- 2) Al cortar o perforar una pared o techo, tenga cuidado de no dañar el cableado eléctrico u otras instalaciones de servicios ocultas.
- 3) Los ventiladores con conductos deberán tener una ventilación hacia el exterior.
 - a) Antes de darle servicio o limpiar la unidad, abra el panel de la luz y DESCONECTE EL SUMINISTRO ELÉCTRICO EN EL PANEL DE SERVICIO.
 - b) Limpie frecuentemente las superficies saturadas con grasa. Para reducir el riesgo de incendio y para dispersar el aire adecuadamente, asegúrese de ventilar el aire al exterior. NO ventile el aire del escape en espacios cerrados entre paredes, áticos, espacios de acceso debajo de pisos o garajes.

NOTA - Esta garantía no es válida sin un recibo de un agente autorizado o si la unidad se ha dañado debido al maltrato, mala instalación, uso inadecuado, abuso, negligencia o cualquier otra circunstancia que se encuentre fuera del control de los agentes autorizados de KOBE RANGE HOODS. Cualquier reparación que se realice sin la supervisión de los agentes autorizados de KOBE RANGE HOODS anulará la garantía automáticamente.

- KOBE RANGE HOODS no se hará responsable por cualquier daño a la propiedad personal o inmobiliario ni por las lesiones físicas que se hayan causado ya sea directa o indirectamente por la campana de extracción.

⚠ ADVERTENCIA: PARA REDUCIR EL RIESGO QUE OCURRAN LESIONES PERSONALES EN CASO DE UN INCENDIO CAUSADO POR LA GRASA ACUMULADA EN LAS HORNILLAS DE LA ESTUFA:

1. Mantenga limpios todos los ventiladores, deflectores/separadores/filtros/conductos de aceite/recipientes para aceite y las superficies saturadas con grasa. No deberá permitirse que la grasa se acumule en el ventilador, deflector/separador/filtro/conducto de aceite/ recipiente para aceite.
2. Siempre ENCIENDA el extractor cuando cocine.
3. Utilice las configuraciones altas en la estufa SOLAMENTE cuando sea necesario.
4. No deje la estufa sin supervisión mientras esté cocinando.
5. Siempre utilice utensilios de cocina adecuados para el tipo y cantidad de alimentos que prepara.
6. Utilice esta unidad únicamente de la manera en que fue diseñada por el fabricante.
7. Antes de darle servicio, desconecte el suministro eléctrico en el panel de servicio y cierre bajo llave el panel de servicio (de ser posible) para prevenir que la unidad se encienda accidentalmente.
8. Limpie el ventilador con frecuencia.

Qué Hacer en Caso de Un Incendio Causado por la Grasa Acumulada en las Hornillas de la Estufa

- SOFOQUE LAS LLAMAS con una tapadera, una bandeja para hornear galletas o una bandeja de metal que quede bien ajustada y luego apague la hornilla. MANTENGA TODO EL MATERIAL INFLAMABLE O COMBUSTIBLE LEJOS DE LAS LLAMAS. Si las llamas no se apagan inmediatamente, EVACUE EL ÁREA Y LLAME AL DEPARTAMENTO DE BOMBEROS o al 911.
- NUNCA LEVANTE UN SARTÉN QUE SE ESTÉ QUEMANDO – Usted Podría Quemarse.
- NO UTILICE AGUA, incluyendo paños o toallas mojadas - esto resultará en una explosión violenta de vapor.
- Utilice un extinguidor SOLO si:
 - a) Cuenta con un extinguidor Clase A, B, C y sabe cómo utilizarlo.
 - b) El incendio es pequeño y se ha contenido en el área en donde comenzó.
 - c) Ha llamado al departamento de bomberos.
 - d) Puede combatir el incendio con su espalda dirigida hacia una salida.

Qué Hacer si Siente Olor a Gas

- Apague cualquier llama abierta.
- No intente encender las luces o cualquier otro tipo de aparato.
- Abra todas las puertas y ventanas para dispersar el gas. Si aún así siente olor a gas, llame a la Compañía de Gas y al Departamento de Bomberos inmediatamente.

PRECAUCIÓN

- 1) Solamente para ventilación general. No utilizar para eliminar materiales y vapores peligrosos o explosivos.
- 2) Para reducir el peligro de incendio, utilice solamente una red de conductos metálicos. Necesita aire suficiente para la combustión y eliminación de gases por medio del conducto de ventilación (chimenea) para prevenir la explosión de flujo de aire en retroceso.
- 3) Siga las directrices y estándares de seguridad del fabricante del equipo de calefacción, tales como aquellos publicados por la Asociación de Protección contra Incendios (National Fire Protection Association – NFPA) y la Sociedad Americana de Ingenieros en Calefacción, Refrigeración y Aire Acondicionado (American Society for Heating, Refrigeration and Air Conditioning Engineers – ASHRAE) y las autoridades normativas.
- 4) Activar cualquier interruptor podría causar una explosión o ignición.
- 5) Debido al tamaño y peso de esta campana de extracción, se recomienda que la instalación sea realizada por dos personas.

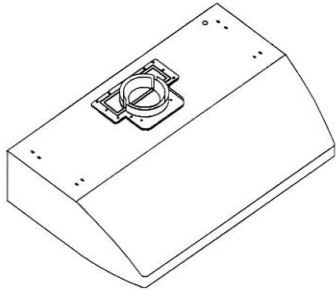


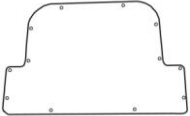
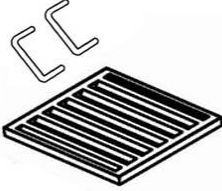
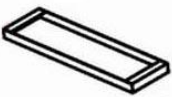
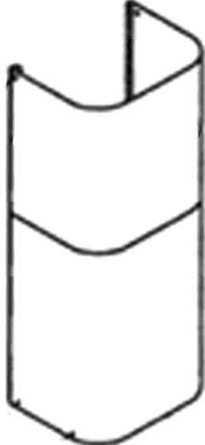

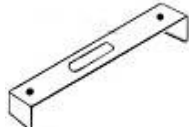

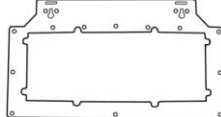
ADVERTENCIA



RIESGO DE ELECTROCUCIÓN – Puede resultar en lesiones serias o la muerte. Desconecte el aparato del suministro eléctrico antes de darle servicio. Si estuviera equipado con éste, el foco fluorescente debido a que contiene pequeñas cantidades de mercurio, deberá reciclarse o desecharse según los Códigos Locales, Estatales y Federales.

COMPONENTES DEL PAQUETE

(Debe conservar todo el material en caso de devolverlo o solicitar un reembolso)

Caja de la Campana de Extracción	Caja de la Cubierta de Conductos (Vendida por Separado)
<p>{A} Campana de Extracción KOBE - 1 {B} Tarjeta de Registro de Garantía - 1 {C} Manual de Instrucciones - 1 {D} Cubierta de Ventilación (Arriba) - 1 {E} Filtro Deflector - 2 (30") - 3 (36") {F} Carcasa Inferior - 2 - 2 (30")</p> <p>{A}</p>  <p>{B}</p>  <p>{C}</p>  <p>{D}</p>  <p>{E}</p>  <p>{F}</p> 	<p>{G} Cubierta de Conductos - 1 {H} Paquete de Tornillos - 1 {I} Soporte de Montaje de la Cubierta de Conductos - 1 {J} Soporte de Montaje de la Campana - 1</p> <p>{G}</p>  <p>CUBIERTA DE CONDUCTOS INTERNA</p> <p>CUBIERTA DE CONDUCTOS EXTERNA</p> <p>{H}</p>  <p>3/16" x 3/8" (9 pcs)</p> <p>{I}</p>  <p>{J}</p>  <p>Base de Goma (2 pcs)</p> <p>{J}</p> 

- PARA OBTENER MÁS INFORMACIÓN, POR FAVOR VISITE NUESTRO SITIO DE INTERNET www.KOBERangeHoods.com O CONTACTE A KOBE RANGE HOODS AL (626) 775-8880.

INSTALACIÓN

POR FAVOR, LEA LAS INSTRUCCIONES COMPLETAMENTE ANTES DE CONTINUAR

Cálculo antes de la Instalación

Para realizar el cálculo para la instalación, por favor consulte la TABLA 1. (Todos los cálculos están hechos en pulgadas).

- PARA INSTALACIÓN DEBAJO DEL GABINETE -

<p>TABLA 1</p> <p>A = Altura del Piso al Techo B = Altura del Piso a la Superficie del Mostrador (Estándar: 36") C = Altura Preferida de la Superficie del Mostrador a Parte Inferior de la Campana (Mínimo de 27" a 30") D = Altura de la Campana E = Altura del Gabinete</p>	<p>Diagrama de instalación de la campana debajo del gabinete. Muestra un perfil vertical con un gabinete superior, una campana (hood) inclinada y un mostrador inferior. Las dimensiones A, B, C, D y E están etiquetadas con flechas y líneas de referencia.</p>
---	---

- PARA INSTALACIÓN INDEPENDIENTE (CON CUBIERTA DE CONDUCTOS OPCIONAL) -

<p>TABLA 2</p> <p>A = Altura del Piso al Techo B = Altura del Piso a la Superficie del Mostrador (Estándar: 36") C = Altura Preferida de la Superficie del Mostrador a Parte Inferior de la Campana (Mínimo de 27" a 30") D = Altura de la Campana E = Altura de la Cubierta de Conductos [F - D] F = Altura de Instalación de la Campana [A - (B+C)]</p>	<p>Diagrama de instalación independiente de la campana con cubierta de conductos opcional. Muestra un perfil vertical con una cubierta de conductos superior, una campana (hood) inclinada y un mostrador inferior. Las dimensiones A, B, C, D, E y F están etiquetadas con flechas y líneas de referencia.</p>
---	---

⚠️ ADVERTENCIA DE SEGURIDAD

LA CAMPANA PODRÍA TENER EXTREMOS SUMAMENTE FILOSOS; FAVOR DE UTILIZAR GANTES PROTECTORES SI VA A RETIRAR CUALQUIER PIEZA PARA INSTALAR, LIMPIAR O DARLE SERVICIO.

NOTA: TENGA MUCHO CUIDADO AL UTILIZAR UN DESTORNILLADOR ELÉCTRICO; PODRÍA CAUSAR DAÑOS A LA CAMPANA.

Índice de Instalación

DEBAJO DEL GABINETE	
Ventilación Superior.....	69
Ventilación Posterior.....	71
INDEPENDIENTE	
Ventilación Superior.....	73
Ventilación Posterior.....	76

INSTALACIÓN DEBAJO DEL GABINETE – VENTILACIÓN SUPERIOR

Preparación antes de la Instalación

NOTA: PARA EVITAR CAUSAR DAÑOS A SU CAMPANA, EVITE QUE DESECHOS PENETREN EN LA RENDIJA DE VENTILACIÓN

- Decida la ubicación para colocar el conducto de ventilación de la campana hacia el exterior. Consulte la Figura 1.
- Un ducto de escape recto y corto permitirá que la campana trabaje con más eficiencia.
- Intente evitar tantas conexiones, codos y ductos largos como sea posible. Esto podría reducir el rendimiento de la campana.
- Antes de instalar, conecte temporalmente la campana para verificar que funcione adecuadamente.
- Retire la película protectora de la campana (si hay alguna).
- Para instalar debajo del gabinete con la parte inferior empotrada, coloque tiras para rellenar madera de 4 pulgadas de ancho (no incluidas) de cada lado. Consulte la Figura 2.
- Mida y cree una abertura de acceso para los cables eléctricos debajo del gabinete.
- Corte el escape de multi-conductos de acuerdo al tamaño de la pipa de ventilación. Consulte la Figura 3.

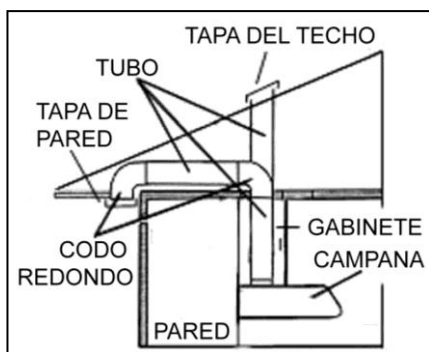


Figura 1

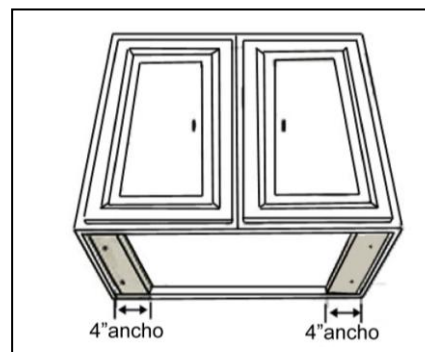


Figura 2



Figura 3

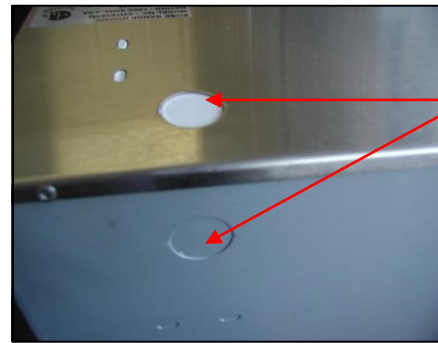
Instalación de la Campana

PRECAUCIÓN: Si fuera necesario mover la estufa para instalar la campana, desconecte la electricidad en la caja eléctrica principal si es una estufa eléctrica. **APAGUE EL GAS ANTES DE MOVER UNA ESTUFA DE GAS.**

1. Abra los orificios preperforados en la campana como se muestra en la Figura 4.
2. Si fuera necesario, organice los cables eléctricos de modo que corran dentro del agujero de 1" de diámetro en la parte superior o en la parte posterior de la campana. Consulte la Figura 5.
3. Utilizando las referencias en la Tabla 1 y las medidas en la Página 84 centre la campana en su lugar debajo del gabinete y nivele con el frente del gabinete.



Figura 4



Agujero de un de diámetro 1"

Figura 5

4. Tire de los cables eléctricos por medio del orificio de acceso del gabinete.
5. Coloque el tornillo (no incluido) en el centro exacto de cada agujero preperforado. Asegúrese de que todos los tornillos estén en su lugar antes de apretarlos. **PRECAUCIÓN: ASEGÚRESE QUE LA CAMPANA ESTÉ FIJA ANTES DE SOLTARLA.**

Instalación de Red de Conductos

6. Utilice un tubo de aluminio o acero para conectar el escape plástico en la campana a la red de conductos de arriba. Utilice cinta de aislar para asegurar y hermetizar todas las uniones.

INSTALACIÓN DEBAJO DEL GABINETE – VENTILACIÓN POSTERIOR

Preparación antes de la instalación

NOTA: PARA EVITAR CAUSAR DAÑOS A SU CAMPANA, EVITE QUE DESECHOS PENETREN EN LA RENDIJA DE VENTILACIÓN.

- Decida la ubicación para colocar el conducto de ventilación de la campana hacia el exterior. Consulte la Figura 6.
- Un ducto de escape recto y corto permitirá que la campana trabaje con más eficiencia.
- Intente evitar tantas conexiones, codos y ductos largos como sea posible. Esto podría reducir el rendimiento de la campana.
- Antes de instalar, conecte temporalmente la campana para verificar que funcione adecuadamente.
- Retire la película protectora de la campana (si hay alguna).
- Para instalar debajo del gabinete con la parte inferior empotrada, coloque tiras para rellenar madera de 4 pulgadas de ancho (no incluidas) de cada lado. Consulte la Figura 7.
- Mida y haga una abertura de acceso para los cables eléctricos debajo del gabinete o el orificio de acceso para los cables eléctricos en la parte posterior de la campana.
- Remueva los tornillos de la cubierta de ventilación (posterior) y corte a lo largo de la línea del orificio de la cubierta interna de ventilación (posterior). Consulte la Figura 8.
- Corte el orificio de la cubierta de ventilación (posterior) y regrese al otro lado. Consulte la Figura 9. Vuelva a colocar la cubierta de ventilación (posterior).

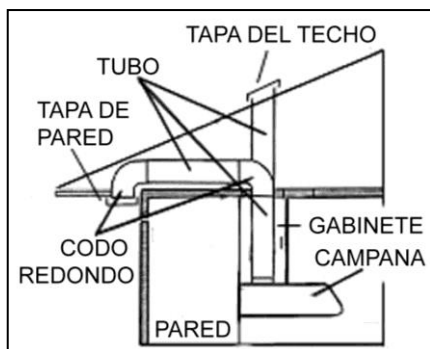


Figura 6

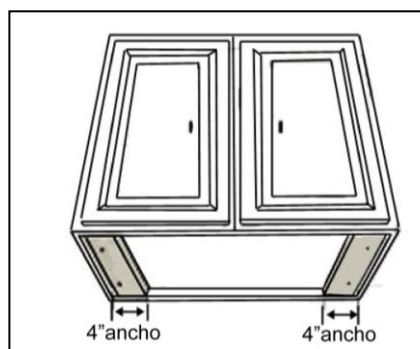


Figura 7



Figura 8

Cubierta de Ventilación
Cubierta
Interna
(Posterior)

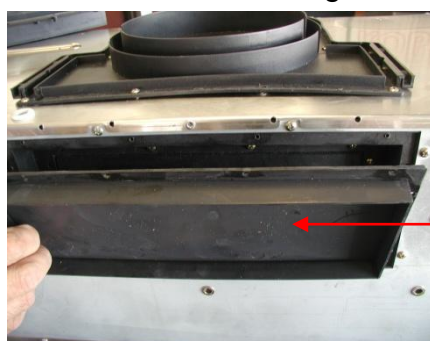


Figura 9

Cubierta de Ventilación
Revertida
(Posterior)

Instalación de la Campana

PRECAUCIÓN: Si fuera necesario mover la estufa para instalar la campana, desconecte la electricidad en la caja eléctrica principal si fuera una estufa eléctrica. **APAGUE EL GAS ANTES DE MOVER UNA ESTUFA DE GAS.**

1. Abra los oficios preperforados en la campana como se muestra en la Figura 10.
2. Desatornille y remueva el escape de multi-conductos. Reemplace con la cubierta de ventilación {D} (superior). Consulte la Figura 11.



Figura 10

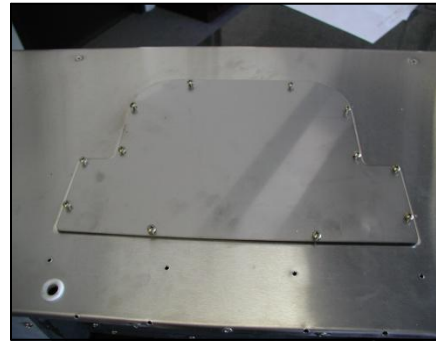
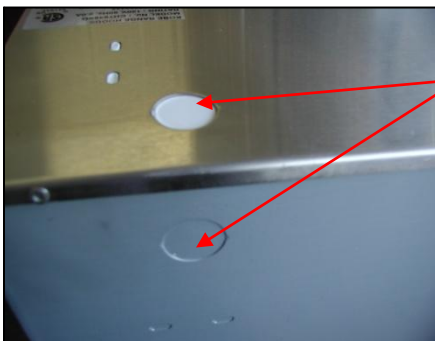


Figura 11

3. Si fuera necesario, organice los cables eléctricos de modo que corran a través del agujero de 1" de diámetro en la parte superior o en la parte posterior de la campana. Consulte la Figura 12
4. Utilizando las referencias en la Tabla 1 y las medidas en la Página 84 centre la campana en su lugar debajo del gabinete y nivele con el frente del gabinete.
5. Coloque el tornillo (no incluido) en el centro exacto de cada agujero preperforado. Asegúrese que todos los tornillos estén en su lugar antes de apretarlos. **PRECAUCIÓN: ASEGÚRESE QUE LA CAMPANA ESTÉ FIJA ANTES DE SOLTARLA.**



Agujero de 1" de Diámetro

Figura 12

Instalación de la Red de Conductos

6. Utilice un tubo de aluminio o acero para conectar el escape plástico ubicado en la parte posterior de la campana a la red de conductos. Utilice cinta de aislar para asegurar y hermetizar todas las uniones.

INSTALACIÓN INDEPENDIENTE – VENTILACIÓN SUPERIOR

***Esta instalación sólo aplica con la compra de una cubierta de conductos.

Preparación antes de la Instalación

NOTA: PARA EVITAR CAUSAR DAÑOS A SU CAMPANA, EVITE QUE DESECHOS PENETREN EN LA RENDIJA DE VENTILACIÓN

- Decida la ubicación para colocar el conducto de ventilación de la campana hacia el exterior. Consulte la Figura 13
- Un ducto de escape recto y corto permitirá que la campana trabaje con más eficiencia.
- Intente evitar tantas conexiones, codos y ductos largos como sea posible. Esto podría reducir el rendimiento de la campana.
- Utilice cinta de aislar para sellar las uniones entre las secciones del tubo.
- Si fuera necesario, prepare un marco posterior en la pared con madera de entramado para una instalación segura.
- Utilizando las referencias de la Tabla 2 y las medidas en la Páginas 84-85, decida el nivel de la madera. Consulte la Figura 14.

Preparación de la Campana antes de la Instalación

- Conecte la campana temporalmente para probar su operación antes de instalar.
- Retire la película protectora de la campana y de la cubierta de conductos (si hubiera alguna).
- Corte el escape de multi-conductos de ventilación de acuerdo al tamaño del tubo de ventilación. Consulte la Figura 15.

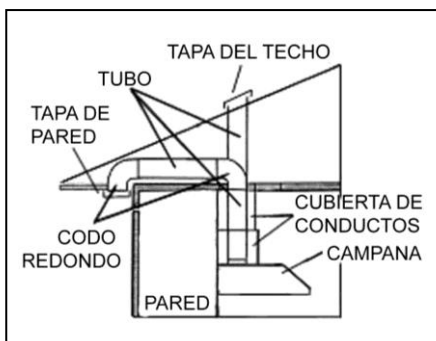


Figura 13

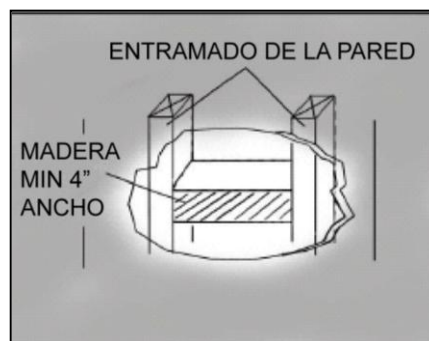


Figura 14



Figura 15

- Si fuera necesario, coloque dos bases de goma (incluidas) con dos tornillos (4x8 mm) (incluidos) en la parte posterior de la campana.
- Coloque el soporte de montaje de la campana en la parte posterior de la misma con nueve tornillos (3/16" x 3/8") (incluidos) como se muestra en la Figura 16.

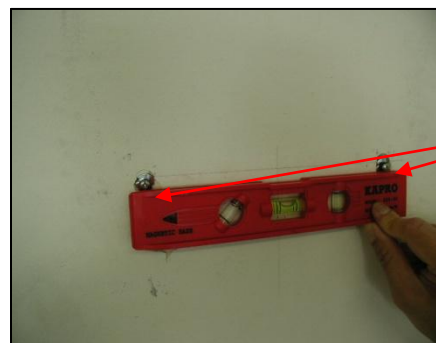
Instalación de la Campana

PRECAUCIÓN: Si fuera necesario mover la estufa para instalar la campana, desconecte la electricidad en la caja eléctrica principal, si es una estufa eléctrica. **APAGUE EL GAS ANTES DE MOVER UNA ESTUFA DE GAS.**

1. Utilizando las referencias en la Tabla 2 y las medidas en las Páginas 84-85, marque el punto de nivel de la campana. Posicione dos tornillos de montaje (no incluidos) en la pared, dejando un espacio de 1/8" lejos de la pared como se muestra en la Figura 17.



Figura 16



Tornillos de montaje

Figura 17

2. Alinee el soporte de montaje de la campana con los dos tornillos en la pared y engánchela en su lugar. Apriete los tornillos para asegurar la campana a la pared. **PRECAUCIÓN: ASEGÚRESE QUE LA CAMPANA ESTÉ FIJA ANTES DE SOLTARLA.**

Instalación de la Cubierta de Conductos

3. Marque la posición del soporte de montaje de la cubierta de conductos. Utilice la referencia E de la Tabla 2 y las medidas en las Páginas 84-85. Coloque y fije el soporte de montaje de la cubierta de conductos con dos tornillos (no incluidos). Consulte la Figura 18. NOTA: La cubierta interna de conductos cubrirá el soporte de montaje de la cubierta de conductos.
4. Utilice un tubo de aluminio o acero para conectar el escape plástico en la campana a la red de conductos de arriba. Utilice cinta de aislar para hacer que las uniones queden seguras y herméticas.
5. Conecte los cables eléctricos. Consulte el “Cableado a la Fuente de Alimentación” en la Página 79.
6. Deslice la cubierta interna de conductos hasta 2 pulgadas antes de deslizar completamente la cubierta de conductos en la campana. Consulte la Figura 19.

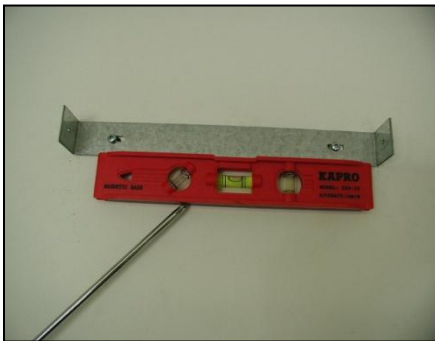


Figura 18



Figura 19

7. Ajuste el alto de la cubierta interna de conductos al soporte de montaje de la cubierta de conductos. Asegure la cubierta interna de conductos con dos tornillos de (4x8 mm) (incluidos) como se muestra en la Figura 20.



Figura 20

8. Sujete la cubierta externa de conductos con el escape de multi-conductos de ventilación en la campana utilizando cuatro tornillos de (4x8 mm)(incluidos).

INSTALACIÓN INDEPENDIENTE – VENTILACIÓN POSTERIOR

***Esta instalación sólo aplica con la compra de una cubierta de conductos.

Preparación antes de la Instalación

NOTA: PARA EVITAR CAUSAR DAÑOS A SU CAMPANA, EVITE QUE DESECHOS PENETREN EN LA RENDIJA DE VENTILACIÓN

- Decida la ubicación para colocar el conducto de ventilación de la campana hacia el exterior. Consulte la Figura 21
- Un ducto de escape recto y corto permitirá que la campana trabaje con más eficiencia.
- Intente evitar tantas conexiones, codos y ductos largos como sea posible. Esto podría reducir el rendimiento de la campana.
- Utilice cinta de aislar para sellar las uniones entre las secciones del tubo.
- Si fuera necesario, prepare un marco posterior en la pared con madera de entramado para una instalación segura.
- Utilizando las referencias de la Tabla 2 y las medidas en la Página 84-85, decida el nivel de la madera. Consulte la Figura 22.

Preparación de la Campana antes de la Instalación

- Conecte la campana temporalmente para probar su operación antes de instalar.
- Retire la película protectora de la campana y de la cubierta de conductos (si hubiera alguna).
- Remueva los tornillos de la cubierta de ventilación (posterior) y corte sobre la línea de la cubierta interna de ventilación (posterior). Consulte la Figura 23.
- Corte el orificio de la cubierta de ventilación (posterior) y regrese al otro lado. Consulte la Figura 24.

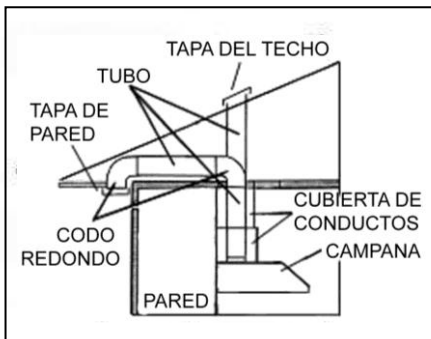


Figura 21

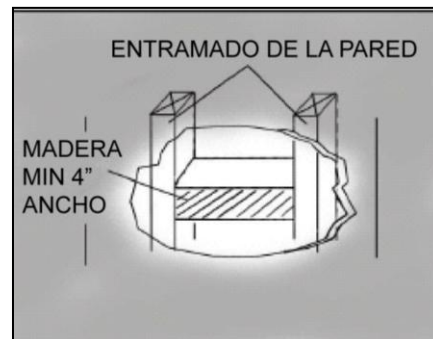


Figura 22



Figura 23

Cubierta de Ventilación
Cubierta Interna
(Posterior)

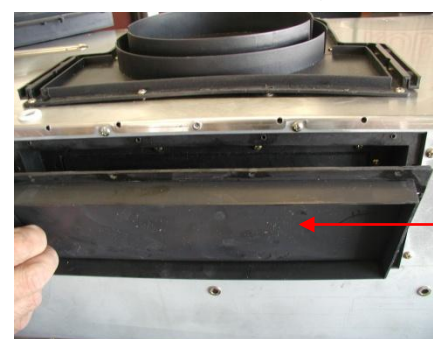


Figura 24

Cubierta de Ventilación
Revertida
(Posterior)

- Si fuera necesario, coloque dos bases de goma (incluidas) con dos tornillos de (4x8 mm) (incluidos) a la parte posterior de la campana.
- Coloque el soporte de montaje de la campana a la parte posterior de la misma con nueve tornillos de (3/16" x 3/8")(incluidos) como se muestra en la Figura 25.

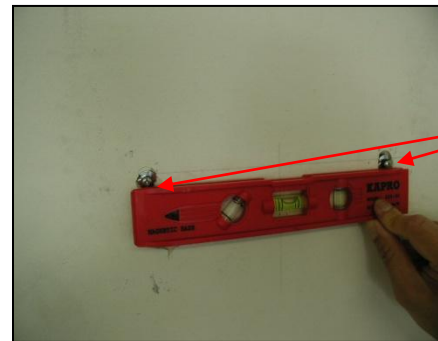
Instalación de la Campana

PRECAUCIÓN: Si fuera necesario mover la estufa para instalar la campana, desconecte la electricidad en la caja eléctrica principal si es una estufa eléctrica. **APAGUE EL GAS ANTES DE MOVER UNA ESTUFA DE GAS.**

1. Utilizando las referencias en la Tabla 2 y las medidas en las Páginas 84-85, marque el punto de nivel de la campana. Posicione dos tornillos de montaje (no incluidos) en la pared, dejando un espacio de 1/8" lejos de la pared como se muestra en la Figura 26.



Figura 25



Tornillos de Montaje

Figura 26

2. Utilice un tubo de aluminio o acero para conectar el orificio de escape ubicado en la parte posterior de la campana con la red de conductos. Utilice cinta de aislar para hacer que todas las uniones queden seguras y herméticas.
3. Alinee el soporte de montaje de la campana con los dos tornillos en la pared y enganche la campana en su lugar. Apriete los tornillos para asegurar la campana en la pared. **PRECAUCIÓN: ASEGÚRESE QUE LA CAMPANA ESTÉ FIJA ANTES DE SOLTARLA.**

Instalación de la Cubierta de Conductos

4. Marque la posición del soporte de montaje de la cubierta de conductos. Utilice la referencia E de la Tabla 2 y las medidas en las Páginas 84-85. Coloque y asegure el soporte de montaje de la cubierta de conductos con dos tornillos (no incluidos). Consulte la Figura 27. **NOTA:** La cubierta interna de conductos cubrirá el soporte de montaje.
5. Conecte los cables eléctricos. Consulte “Cableado a la Fuente de Alimentación” en la Página 79.
6. Deslice la cubierta interna de conductos hasta 2 pulgadas antes de deslizar completamente la cubierta de conductos en la campana. Consulte la Figura 28.



Figura 27



Figura 28

7. Ajuste la altura de la cubierta interna de conductos al soporte de montaje de la cubierta de conductos. Asegure la cubierta interna de conductos con dos tornillos de (4x8 mm) (incluidos) como se muestra en la Figura 29.



Fíjelos Juntos

Figura 29

8. Fije la cubierta externa de conductos con el escape de multi-conductos de ventilación en la campana con cuatro tornillos de (4x8 mm) (incluidos).

⚠️ ADVERTENCIA DE SEGURIDAD

RIESGO DE ELECTROCUCIÓN. ESTA CAMPANA DE EXTRACCIÓN DEBE TENER UNA CONEXIÓN A TIERRA ADECUADA. ASEGÚRESE QUE ESTO SEA REALIZADO POR UN ELECTRICISTA ESPECIALIZADO DE ACUERDO CON TODOS LOS CÓDIGOS ELÉCTRICOS APLICABLES NACIONALES Y LOCALES. ANTES DE CONECTAR LOS CABLES, DESCONECTE EL SUMINISTRO ELÉCTRICO EN EL PANEL DE SERVICIO Y CIERRE EL PANEL DE SERVICIO PARA PREVENIR QUE LA UNIDAD SE ENCIENDA ACCIDENTALMENTE.

Conecte los cables eléctricos.

- Conecte tres cables (negro, blanco y verde) con los cables de la casa y tape con conectores de cables. Conéctelos según su color. negro con negro, blanco con blanco y verde con verde según se muestra en la Figura 6.
- Si necesitara ocultar las conexiones del cableado eléctrico, empuje los cables hacia dentro de la caja del cableado. Accese a las conexiones de cables debajo de la campana. Asegúrese que los cables no se resbalen entre el motor o cualquier pieza que se mueva para prevenir que se dañen

Ensamblado Final

1. Coloque los filtros deflectores debajo de la campana. Consulte la Figura 30.

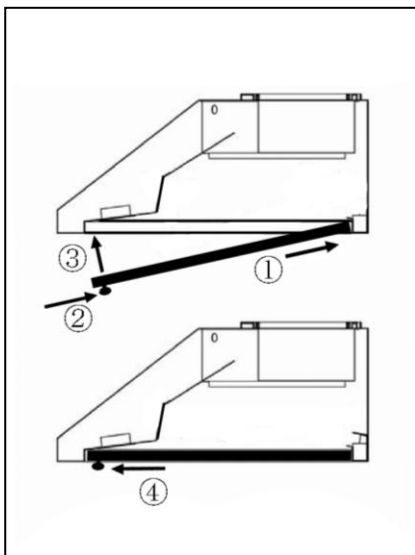


Figura 30

INSTRUCCIONES DE OPERACIÓN

Esta campana KOBE está equipada con cuatro controles electrónicos con un encendido en espera de 10 segundos y una desactivación luego de 30 segundos de retraso, dos poderosos impulsores de turbina centrífuga con pantallas de seguridad, focos brillantes de halógeno de 12-voltios 20-watios.

Los cuatro controles electrónicos son: Control de Luz, Control de Velocidad A (ciclos entre Bajo, Medio, Alto, Modo Silencioso-QuietMode™), Control de Velocidad B (ciclos entre Bajo, Modo Silencioso-QuietMode™, Alto, Medio) y el Control de Encendido/Apagado. Consulte la Figura 31.

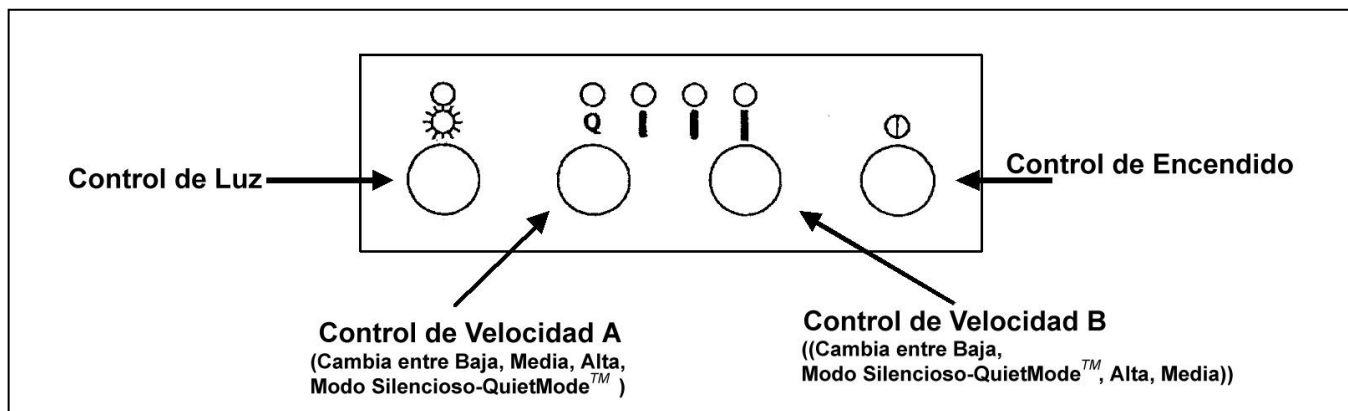


Figura 31

ENCENDIDO:

- **Oprima el Control Encendido/Apagado una vez.**
(Nota: Si no se oprime ninguno de los botones de control en 10 segundos, la unidad se apagará automáticamente.)
- **La campana iniciará en velocidad Baja. Cada vez que oprima el botón de Control de Velocidad se cambiarán las diferentes velocidades.**
- **Oprima el Control de Velocidad A para cambiar de Bajo, Medio, Alto o Modo Silencioso-QuietMode™. Oprima el Control de Velocidad B para cambiar de Bajo, Modo Silencioso-QuietMode™, Alto o Medio.**
(Nota: Los Controles de Velocidad A o B harán que ambos ventiladores funcionen. Estos dos botones de velocidad hacen que la velocidad cambie más rápido.)
- **Oprima el Control de Luz para encender la lámpara de halógeno.**

APAGADO:

- **Oprima el Control de Encendido/Apagado una vez, las luces del panel titilarán y la unidad se apagará completamente después de 30 segundos.**
- **Oprima el Control Encendido/Apagado dos veces, y la unidad se apagará inmediatamente.**
- **Si solo las luces estuvieran encendidas, oprimir el botón de Encendido/Apagado una vez hará que la unidad se apague luego de 30 segundos.**

MANTENIMIENTO

Para un funcionamiento óptimo, limpie la campana de extracción y todos los deflectores/separadores/filtros/conductos de aceite/recipientes para aceite con regularidad.

Limpeza de la Superficie de la Campana

PRECAUCIÓN: NUNCA UTILICE LIMPIADORES, ALMOHADILLAS O PAÑOS ABRASIVOS. NO UTILICE TOALLAS DE PAPEL SOBRE EL ACERO INOXIDABLE.

***El cuidado regular ayudará a preservar la apariencia de la campana.

1. Utilice solamente jabón o soluciones detergentes suaves. Seque las superficies utilizando un paño suave.
2. Si la campana se ve manchada (campana de acero inoxidable), utilice un limpiador para acero inoxidable para limpiar la superficie de la campana. Evite que la solución de limpieza caiga sobre o en el panel de control. Siga las instrucciones del limpiador de acero inoxidable.
Precaución: No lo deje por mucho tiempo pues podría dañar el acabado de la campana. Utilice una toalla suave para limpiar la solución de limpieza y frote cuidadosamente cualquier área difícil de limpiar. Utilice una toalla suave y seca para secar la campana.
3. NO permita que depósitos se acumulen o permanezcan sobre la campana.
4. NO utilice lana de acero o cepillos de acero ordinarios. Pequeños pedazos de acero podrían adherirse a la superficie y causar óxido.
5. NO permita que soluciones de sal, desinfectantes, blanqueadores o compuestos de limpieza permanezcan en contacto con el acero inoxidable por periodos de tiempo prolongados. Muchos de estos compuestos contienen químicos, que podrían ser perjudiciales. Enjuague con agua después del contacto y seque con un paño limpio libre de pelusas.

Para limpiar el Filtro Deflector/Conductos de Aceite

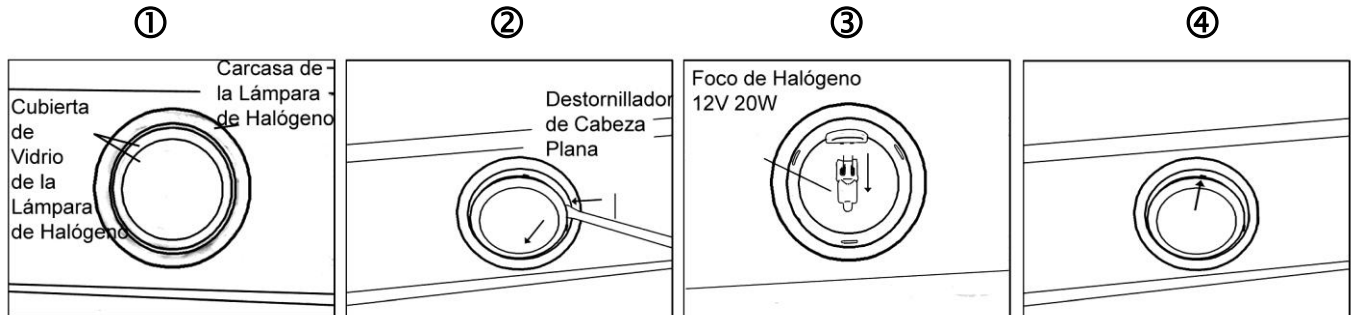
PRECAUCIÓN: DRENE EL ACEITE DEL FILTRO DEFLECTOR Y CONDUCTO PARA ACEITE ANTES QUE ESTE SE DERRAME.

1. Remueva todos los filtros deflectores y el conducto para aceite.
2. Utilice una esponja y lávelos con agua tibia jabonosa. Séquelos completamente antes de volverlos a colocar en su lugar.
(Nota: Los Filtros Deflectores pueden lavarse en el tramo superior del lavaplatos automático.)

Para Reemplazar el Foco

⚠ PRECAUCIÓN: ¡LA UNIDAD DE LA LÁMPARA DE HALÓGENO PODRÍA ESTAR CALIENTE! ESPERE HASTA QUE SE ENFRÍE

NOTA: NO TOQUE LA LÁMPARA DE HALÓGENO CON LAS MANOS DESPROTEGIDAS, PUES PODRÍA CAUSAR SOBRECALENTAMIENTO Y REDUCIR EL TIEMPO DE VIDA DE LOS FOCOS.



1. Asegúrese que todos los controles se encuentren APAGADOS y que la campana de extracción se encuentre desconectada.
2. Coloque el destornillador de cabeza plana en la ranura localizada entre la cubierta de vidrio de los focos de halógeno y la carcasa ①.
3. Retire cuidadosamente la cubierta de vidrio de la carcasa ②.
4. Hale suavemente el foco inservible ③ y deséchelo. Los focos deberán ser de 12V 20W como máximo.
5. Utilice un guante o un paño para sujetar el nuevo foco y empújelo para colocarlo en el receptáculo para focos. NOTA: NO LO EMPUJE DEMASIADO FUERTE PUES PODRÍA QUEBRAR EL CONECTOR PARA FOCO.
6. Coloque nuevamente la cubierta de vidrio de los focos de halógeno ④.
7. Enchufe nuevamente el cable de corriente y encienda la campana de extracción para verificar su funcionamiento.

ESPECIFICACIONES

MODELO / TAMAÑO	CH2230SQB / 30" CH2236SQB / 36"			
COLOR	Acero Inoxidable de Clasificación Comercial			
CONSUMO / AMPERIOS	30" – 232W / 2.21A 36" – 232W / 2.21A			
NUMERO DE MOTORES	2			
DISEÑO	Liso Calibre 18 / Acabado Satinado			
TIPO DE VENTILADOR EXHAUST	Impulsor de Doble Turbina Superior – Redondo de 6" Redondo de 7" Rectangular de 3-1/4" x 10" Posterior – Rectangular de 3-1/4" x 10"			
CONTROLES	Control Electrónico (4 Botones) – Encendido en Espera de 10 Segundos Apagado con Retraso de 30 Segundos			
FOCOS DE HALÓGENO Or LED (if Available)	30" - 12V 20W x 2 36" - 12V 20W x 2			
DIMENSIÓN DE LA CAMPANA (ANCHO x PROFUNDIDAD x ALTO)	(CH2230SQ) 29-3/4" x 22" x 5-7/8" (CH2236SQ) 35-3/4" x 22" x 5-7/8"			
ACCESORIOS OPCIONALES (ANCHO x PROFUNDIDAD x ALTO)	1) Cubierta de Conductos Ajustable de Dos Piezas (CH1120DC) 11-3/4" x 10-1/4" x (20-5/8" ~ 39-3/4") 2) Panel Posterior de Acero Inoxidable de 30" (SSP30) 30" x 1/10" x 32" 3) Panel Posterior de Acero Inoxidable de 36" (SSP36) 36" x 1/10" x 32"			
PESO (lbs)	(CH2230SQB)		<u>Net</u> 45	<u>Gross</u> 64
	(CH2236SQB)		47	66
VELOCIDAD	QuietMode™	Bajo	Medio	Alto
Capacidad de Aire (cfm)	300	450	600	720
Sonio	1.2	3.0	4.5	4.8

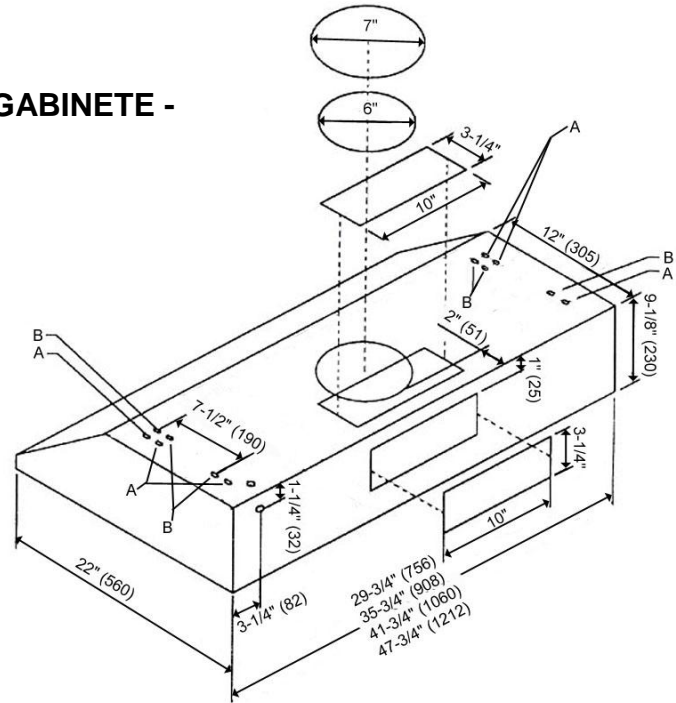
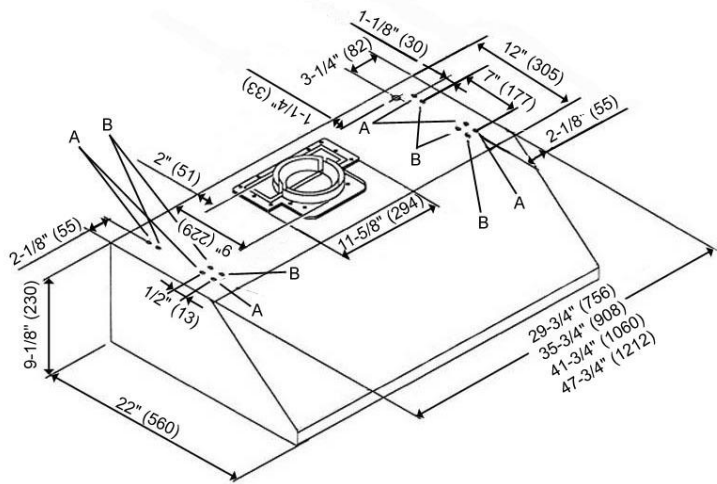
*Las especificaciones están sujetas a cambio sin previo aviso

MEDIDAS Y DIAGRAMAS

***Todas las medidas en pulgadas han sido convertidas de milímetros. Las medidas en pulgadas son medidas aproximadas.

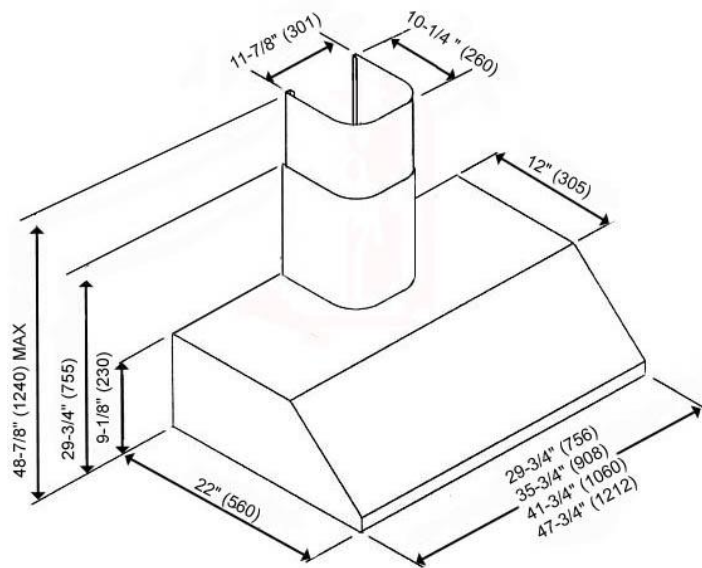
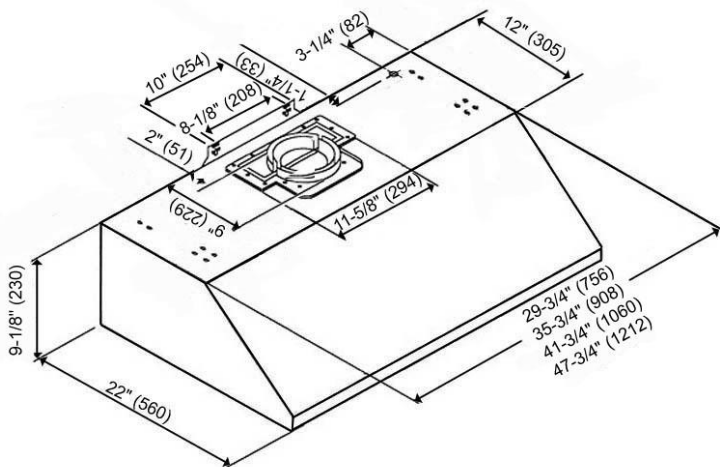
***Todas las medidas () están en milímetros.

- PARA DEBAJO DEL GABINETE -

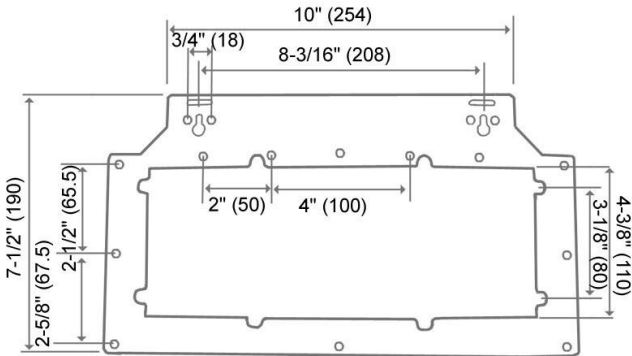


30" = Agujeros preperforados "A"
 36", 42", 48" = Agujeros preperforados "A" y "B"

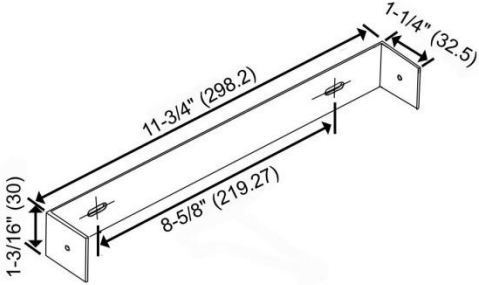
-PARA INSTALACIÓN INDEPENDIENTE (CON CUBIERTA DE CONDUCTOS OPCIONAL)-



***Soporte de Montaje de la Campana



***Soporte de Montaje de la Cubierta de Conductos



LISTADO DE PIEZAS

MODELO NO.: CH2230SQB
CH2236SQB

NO.	DESCRIPTION	MODELO /TAMAÑO .	PIEZA NO.
1	Escape de Multi Conductos		C1-0507-1530
2	Cubierta de Ventilación (Superior)		B101-1530-12
3	Cubierta de Ventilación (Posterior)		C1-0508-1530-A
4	Marco de la Cubierta de Ventilación		C1-0508-1530-B
5	Carcasa de la Campana	CH2230SQB	10-1630A
		CH2236SQB	10-1636A
6	Lámpara de Halógeno (12Vatios 20Watts Max.)		C1-0403-0101
7	Unidad de Control		C1-0501-0101
8	Panel de Control		C1-0404-4001-A
9	Soporte de Control		C1-0207-5200
10	Soporte del Transformador		C1-0201-1530
11	Transformador (Motor)		C1-0402-A120-08
12	Cámara de Aire		
A	Cámara de Aire (Superior)	CH2230SQB	C1-0101-1530
B	Cámara de Aire (Lateral)	CH2230SQB	C1-0102-1530
A	Cámara de Aire (Superior)	CH2236SQB	C1-0101-1542
B	Cámara de Aire (Lateral)	CH2236SQB	C1-0102-1542
13	Transformador (Luz)	CH2230SQB	C1-0402-0120-40
		CH2236SQB	
14	Condensador		C1-0401-0120-01
15	Caja del Panel Procesador		C1-0501-0102
16	Panel Procesador		C1-0404-4110-B
17	Motor (Derecha)		C1-0301-0120-29B
18	Motor (Izquierda)		C1-0301-0120-29A
19	Impulsor de la Turbina (Derecha)		C1-0251-0880-B
20	Impulsor de la Turbina (Izquierda)		C1-0251-0880-A
21	Sello del Conducto de Aceite		C1-0502-0301
22	Conducto de Aceite		C1-0502-0102
23	Cubierta Plástica del Impulsor		C1-0251-0001
24	Pantalla de Seguridad		C1-0602-0101
25	Filtro Deflector		B101-1930-15
26	Carcasa Inferior	CH2230SQB	B101-4130-09

Cubierta de Conductos Opcional

NO.	DESCRIPCIÓN	MODELO /TAMAÑO	PIEZA NO.
01	Soporte de Montaje de la Campana		C1-0221-1530
02	Tornillos (TS 4 x 8 mm)		C1-0708-0006
03	Cubierta de Conductos	CH1120DC	12-15300-51
04	Soporte de Montaje de la Cubierta de Conductos		C1-0221-1530
05	Tornillo (3/16" X 3/8")		C1-0707-0001
06	Base de Goma		C1-0511-0382
07	Tornillo (TS 4 X 8 mm)		C1-0708-0006

MODELO NO.: CH2230SQB
CH2236SQB

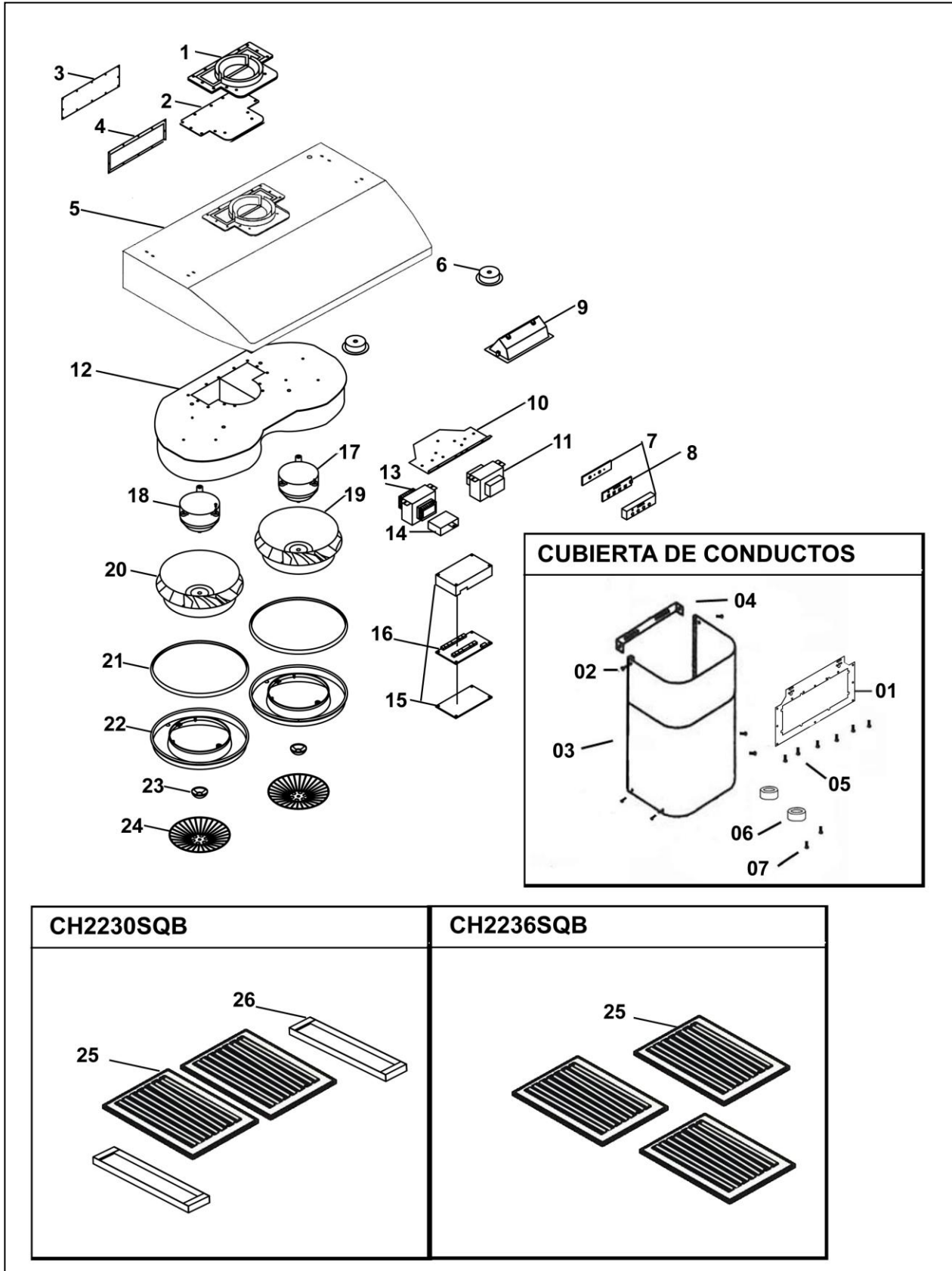
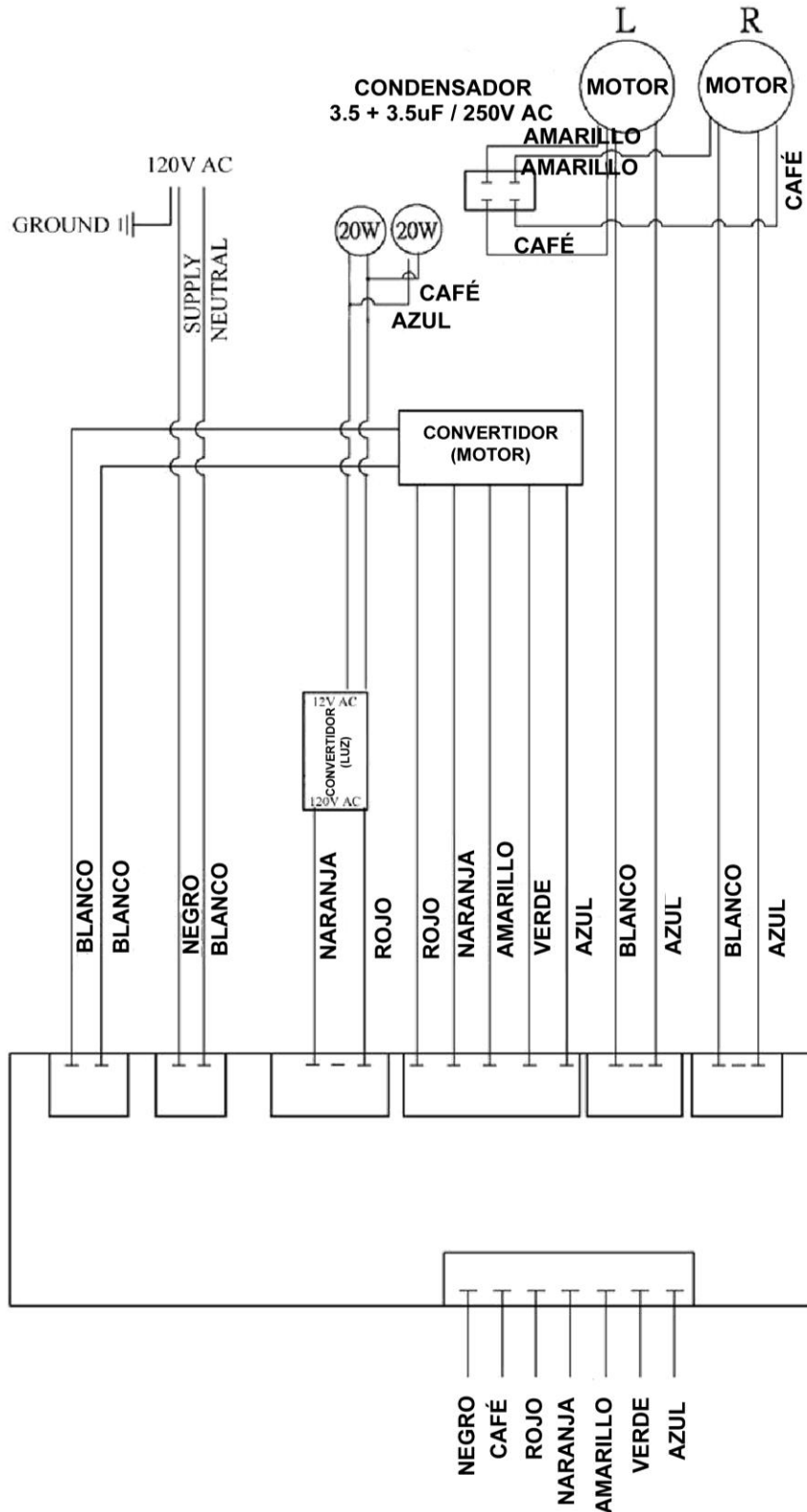


DIAGRAMA DE CIRCUITO

MODELO NO.: CH2230SQB
CH2236SQB



INSTRUCCIONES IMPORTANTES DE SEGURIDAD

Problema	Posible Causa	Solución
Después de la Instalación, ninguno de los motores ni las luces están funcionando.	No está encendido.	Asegúrese que el interruptor de circuitos y la unidad se encuentren encendidos. Utilice un medidor de voltaje para verificar la energía de entrada.
	La conexión de cables no está bien sujeta.	Verifique y ajuste la conexión de cables.
	El cableado del panel de control y la placa de procesador está desconectado.	Verifique la continuidad del cable desde el panel de control hasta la placa de procesador.
	El transformador del motor está defectuoso.	Verifique la entrada y salida de la corriente el transformador del motor. De ser necesario, reemplace el transformador del motor.
	El panel de control y la placa de procesador están defectuosos.	Reemplace el panel de control o la placa de procesador.
Las luces están funcionando pero el(los) motor(es) no.	El/los motor(es) está(n) defectuoso(s).	Reemplace el motor.
	El/los condensador(es) está(n) defectuoso(s).	Reemplace el(los) condensador(es).
	El panel de control o la placa de procesador están defectuosos.	Reemplace el panel de control o la placa de procesador.
La campana de extracción está vibrando.	El sistema de ventilador no está bien sujeto.	Tighten the turbine impeller/squirrel cage and air chamber.
	El impulsor de turbina/jaula de ardilla no está balanceado.	Ajuste el impulsor de turbina/jaula de ardilla y la cámara de aire.
	La campana no está bien sujeta en su lugar	Verifique la instalación de la campana, ajuste el soporte de montaje.
El motor está funcionando pero las luces no.	El(los) foco(s) de la Lámpara de Halógeno está(n) defectuoso(s).	Intente colocar el foco que le está dando problemas en otro receptáculo que funcione, si aún así éste no funciona, reemplace el foco de halógeno.
	El cableado de la luz está flojo.	Verifique la continuidad del cable desde la placa de procesador al transformador de la luz hasta la caja de la lámpara de halógeno.
	El transformador de la luz está defectuoso.	Verifique la entrada y salida de la corriente en el transformador de la luz. De ser necesario, reemplace el transformador de la luz.
	El panel de control o la placa de procesador están defectuosos.	Reemplace el panel de control o la placa de procesador.
La campana de extracción no está ventilando correctamente.	La campana de extracción no se encuentra instalada en el espacio recomendando por el fabricante.	Ajuste el espacio entre la campana y la parte superior de la estufa a 27" a 30". Para la campana de cocina de isla, el espacio entre la campana y la parte superior de la estufa deberá ser de 30" a 36"
	No hay aire de reposición en la casa.	Abra la ventana para optimizar el rendimiento de la campana de extracción creando suficiente aire de reposición.
	Una obstrucción bloquea la red de conductos.	Remueva todas las obstrucciones de la red de conductos.
	El tamaño del tubo es más pequeño que el tubo recomendado.	Cambie los tubos de acuerdo con la recomendación del fabricante.
Aire frío entra en la casa	La conexión de los conductos no está sellada correctamente.	Verifique la instalación de los tubos
	El regulador no está instalado adecuadamente o no ha sido instalado.	Verifique la instalación del regulador.
	El regulador no está instalado.	Instalar el regulador le ayudará a eliminar el reflujo de aire.

GARANTIA

CERTIFICADO DE GARANTIA

KOBE Range Hoods (denominados aquí como "nosotros" o "nosotros") le garantiza al comprador original (referido aquí como "usted" o "su") todos los productos fabricados o suministrados por nosotros para estar libres de defectos de fabricación y materiales, como sigue:

DOS AÑOS DE GARANTÍA LIMITADA DE LAS PIEZAS Y MANO DE OBRA DE SERIE KOBE PREMIUM:

Durante dos años a partir de la fecha de la factura original de un distribuidor autorizado de KOBE, nosotros, a nuestra sola discreción, optamos por reparar o reemplazar el producto sin cargo que ha fallado debido a defectos de fabricación.

Solo es su responsabilidad asegurar que el producto es de fácil acceso para el técnico de servicio que realice las reparaciones. **El técnico de servicio no será, en ningún caso, eliminar, alterar o modificar cualquier artefacto construido alrededor y / o conectado al producto para obtener acceso para realizar reparaciones.**

Durante el período de garantía limitada de dos años, pueden aplicar cargos adicionales que incluyen pero no se limitan a:

- Cargos de viaje si el técnico de servicio si la ubicación del servicio requerido es de 30 kilómetros fuera de la zona de servicio autorizada KOBE
- Piezas gastos de envío
- Desinstalación del producto defectuoso e instalación de productos de sustitución

UN AÑO DE GARANTÍA LIMITADA PARA PIEZAS DE KOBE SERIES BRILLIA:

Durante un año a partir de la fecha de la factura original de un distribuidor autorizado de KOBE, nos proporcionará, sin costo alguno, las piezas para reemplazar los que ha fallado debido a defectos de fabricación. Es nuestra entera discreción, de optar por reparar o sustituir las piezas defectuosas. Es solo su responsabilidad por todos los gastos laborales asociados con esta garantía.

Exclusiones de la garantía:

Esta garantía no cubre, incluyendo pero no limitado a lo siguiente:

- a. Una instalación incorrecta.
- b. Cualquier reparación, alteración, modificación no autorizada por KOBE.
- c. Alteración del conducto, modificación y conexión.
- d. Incorrecta corriente eléctrica, voltaje o cableado.
- e. El mantenimiento normal y servicios que son requeridos por el producto.
- f. Piezas de consumo como bombillas y filtros de carbono.
- g. Uso inadecuado del producto que no está destinado a, como el uso comercial, uso al aire libre y el uso multifamiliar.
- h. El desgaste normal.
- i. Chips, arañazos o abolladuras por abuso o mal uso del producto.
- j. Los daños causados por accidentes, incendios, inundaciones y otros fenómenos naturales.

- k. Los gastos incurridos por servicios situado fuera del área de servicio designado.
- l. Las compras a distribuidores no autorizados.
- m. Costos de eliminación de productos defectuosos e instalación asociados con el producto de reemplazo.

Si determinamos que las exclusiones de garantía que aparecen arriba son aplicables o si usted no puede proporcionar toda la documentación necesaria para el servicio de garantía, usted será responsable por todos los gastos asociados con el servicio solicitado, incluyendo piezas, mano de obra, transporte, viaje y cualquier otro gasto relacionado con la solicitud de servicio.

Para tener derecho al servicio de garantía, usted debe:

1. Tener el comprobante de compra original
2. Ser el comprador original del producto
3. Tenga el número de modelo
4. Tenga el número de serie
5. Tener una descripción de la naturaleza de cualquier defecto en el producto o pieza

PARA SOLICITAR EL SERVICIO DE GARANTÍA, POR FAVOR CONTACTE EL CENTRO DE SERVICIO DE KOBE RANGE HOOD :

CENTRO DE SERVICIO DE KOBE

Tel: 1-855-800-KOBE (5623)

E-mail: kobe@adcoservice.com

FORMULARIO DE INFORMACION DE GARANTIA

Llene los espacios en blanco y guarde este papel con la factura original en un lugar seguro para el propósito de servicio en el futuro.

1. Fecha de compra : _____

2. No. de Modelo : _____

3. No. de Serie : _____

Para obtener el servicio de garantía o compra de repuesto de piezas póngase en contacto con:

KOBE Service Center

Toll Free: 1-855-800-KOBE (5623)

Email: kobe@adcoservice.com

Para reportarse del problema, póngase en contacto con:

Toll Free: 1-877-BUY-KOBE (289-5623)

Email: customer.service@koberangehoods.com

Para informaciones del producto:

Toll free: 1-877-BUY-KOBE (289-5623)

Email: info@koberangehoods.com

Sus notas:



KOBE Range Hoods
11775 Clark Street
Arcadia, CA 91006 USA

<http://www.KOBERangeHoods.com>

This KOBE hood is made for use in the USA and CANADA only. We do not recommend using this hood overseas as the power supply may not be compatible and may violate the electrical code of that country. **Using a KOBE hood overseas is at your own risk and will void your warranty.**

Cette hotte KOBE est fabriquée pour usage aux États-Unis et au Canada seulement. Il n'est pas recommandé d'utiliser cette hotte à l'étranger puisque l'alimentation électrique pourrait ne pas être compatible et enfreindre le code de l'électricité de ce pays. **L'usage de la hotte KOBE à l'étranger est à votre propre risque et la garantie sera annulée.**

Esta campana de extracción KOBE ha sido fabricada para ser utilizada únicamente en EE.UU. y CANADÁ. No recomendamos la utilización de esta campana en el extranjero debido a que la fuente de energía podría no ser compatible y podría violar el código eléctrico de dicho país. **Utilizar una campana KOBE en el extranjero será a su propio riesgo y anulará la garantía.**

VER.091210

Information subject to change without notice.