

KitchenAid® 30" (76.2 cm) Double Oven Dual Fuel Range

PRODUCT MODEL NUMBERS

KFDD500E

GAS SUPPLY REQUIREMENTS

Type of Gas:

Natural Gas:

This range is design-certified by CSA International for use with Natural gas or, after proper conversion, for use with LP gas.

- This range is factory set for use with Natural gas. See "Gas Conversions" section. The model/serial/rating plate is located on the oven frame behind the top left side of the oven door has information on the types of gas that can be used. If the types of gas listed do not include the type of gas available, check with the local gas supplier.

LP gas conversion:

Conversion must be done by a qualified service technician.

No attempt shall be made to convert the appliance from the gas specified on the model/serial/rating plate for use with a different gas without consulting the serving gas supplier. See "Gas Conversions" section.

Gas Supply Line

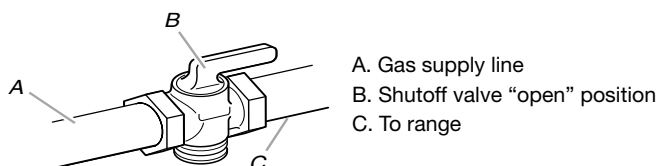
- Provide a gas supply line if $\frac{3}{4}$ " (1.9 cm) rigid pipe to the range location. A smaller pipe on longer runs may result in insufficient gas supply. With LP gas, piping or tubing size can be $\frac{1}{2}$ " (1.3 cm) minimum. Usually, LP gas suppliers determine the size and materials used in the system. **NOTE:** Pipe-joint compounds that resist the action of LP gas must be used. Do not use TEFLON tape.

Flexible metal appliance connector:

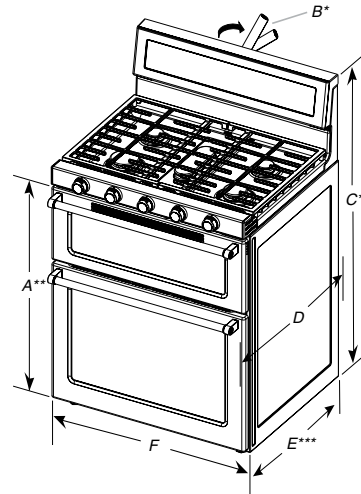
- If local codes permit, a new CSA design-certified, 4 to 5 ft (122 to 152.4 cm) long, $\frac{1}{2}$ " (1.3 cm) or $\frac{3}{4}$ " (1.9 cm) I.D. (inside diameter), flexible metal appliance connector may be used for connecting range to the gas supply line.



- A $\frac{1}{2}$ " (1.3 cm) male pipe thread is needed for connection to the female pipe threads of the inlet to the appliance pressure regulator.
- Do not kink or damage the flexible metal tubing when moving the range.
- Must include a shutoff valve:
The supply line must be equipped with a manual shutoff valve. This valve should be located in the same room but external to the range opening, such as an adjacent cabinet. It should be in a location that allows ease of opening and closing. Do not block access to shutoff valve. The valve is for turning on or shutting off gas to the range.



PRODUCT DIMENSIONS



- A. $35\frac{3}{4}" \pm \frac{1}{8}"$ (90.8 ± 0.3 cm) cooktop height (minimum) with leveling legs screwed all the way in**
- B. Model/serial/rating plates (located behind the control panel)*
- C. $47\frac{3}{8}" \pm \frac{1}{8}"$ (120.2 ± 0.3 cm) overall height (minimum) with leveling legs screwed all the way in**
- D. $28\frac{1}{2}" \pm \frac{1}{4}"$ (72.4 ± 0.6 cm) depth with handle
- E. $26\frac{1}{8}" \pm \frac{1}{8}"$ (66.4 ± 0.3 cm)***
- F. $29\frac{15}{16}" \pm \frac{1}{16}"$ (76.0 ± 0.2 cm) width

* Model/serial/rating plates may be rotated up from behind the control panel for viewing front the front of the range.

** Range can be raised approximately 1" (2.5 cm) by adjusting the leveling legs.

***Excludes handle. Dimension given is from wall to front of oven door and will vary based on electronic outlet receptacle installation.

ELECTRICAL REQUIREMENTS

To properly install your range, you must determine the type of electrical connection you will be using and follow the instructions provided for it here.

- Range must be connected to the proper electrical voltage and frequency as specified on the model/serial/rating plate. The model/serial/rating plate is located behind the control panel. Refer to the figure in "Product Dimensions" in the "Location Requirements" section.
- This range is manufactured with a 4-wire power supply cord rated at 240 volts, 40 amps, rated at 194°F (90°C) and investigated for use with this range.

Range Rating*		Specified Rating of Power Supply Cord Kit and Circuit Protection	
120/240 Volts	120/208 Volts	Amps	Temp Rating
8.8 – 16.5 KW	7.8 – 12.5 KW	40 or 50	194°F (90°C)
16.6 – 22.5 KW	12.6 – 18.5 KW	50	194°F (90°C)

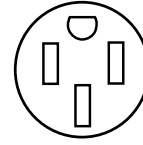
* The NEC calculated load is less than the total connected load listed on the model/serial/rating plate.

®TEFLON is a registered trademark of E.I. Du Point De Nemours and Company.

ELECTRICAL REQUIREMENTS (cont.)

- When a 4-wire, single phase 240 volt, 60 Hz., AC only electrical supply is available, a 40-amp minimum circuit protection is required on 30" (76.2 cm) ranges, fused on both sides of the line.
- The wiring diagram is located on the back of the range or in a clear plastic bag.
- A time-delay fuse or circuit breaker is recommended.

- This range is equipped with an UL or CSA International Certified Power Cord intended to be plugged into a standard 14-50R wall receptacle. Be sure the wall receptacle is within reach of range's final location.



- Do not use an extension cord.

CABINET OPENING DIMENSIONS

Cabinet opening dimensions shown are for 25" (64.0 cm) countertop depth, 24" (61.0 cm) base cabinet depth and 36" (91.4 cm) countertop height.

IMPORTANT: If installing a range hood or microwave hood combination above the range, follow range hood or microwave hood combination installation instructions for dimensional clearances above the cooktop surface.

Range may be installed with zero clearance to combustible construction at the rear and on the sides below the cooktop.

- A. 18" (45.7 cm) upper cabinet to countertop
- B. 13" (33.0 cm) upper cabinet depth
- C. 30" (76.2 cm) min. opening width
- D. For minimum clearance to the top of the cooktop, see NOTE.
- E. In U.S.A.: 30" (76.2 cm) min. opening width
In Canada: 31" (78.7 cm) min. opening width
- F. 3" (7.6 cm) min. clearance from both sides of the range to the side of the wall or other combustible material.
- G. Cabinet door or hinges should not extend into the cutout.
- H. 3" (7.6 cm) distance from wall
- I. 1 1/2" (3.8 cm) min. from the right side cabinet
- J. 8" (20.3 cm) width
- K. 7" (17.8 cm) min. from floor
- L. 2" (5.1 cm) min. from floor

* Drill on centerline 1 1/4" (3.1 cm) from rear wall for gas supply line.

** Gas lines must be installed within the shaded area to ensure proper alignment of this oven with cabinets.

*** Recessed electrical plugs must be installed within the shaded area to ensure proper alignment of this oven with cabinets.

NOTE: 24" (61.0 cm) minimum when bottom of wood or metal cabinet is covered by not less than 1/4" (0.64 cm) flame retardant millboard covered with not less than No. 28 MSG sheet steel, 0.015" (.04 mm) stainless steel, 0.024" (0.6 mm) aluminum or 0.020" (0.5 mm) copper.

30" (76.2 cm) minimum clearance between the top of the cooking platform and the bottom of an uncovered wood or metal cabinet.

