

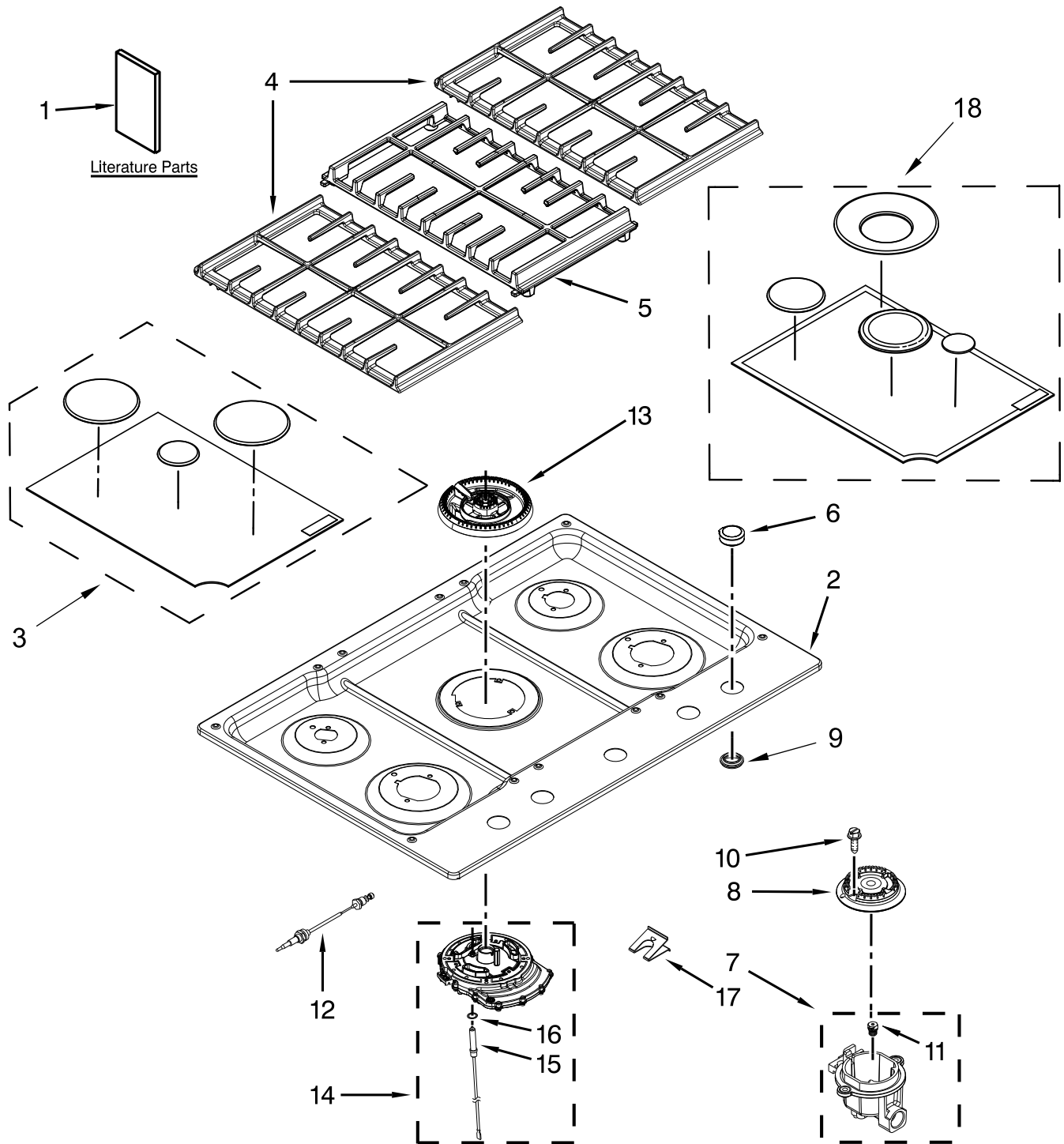
KitchenAid®

30" GAS COOKTOP

MODELS:

KCGS550ESS00 (Stainless)

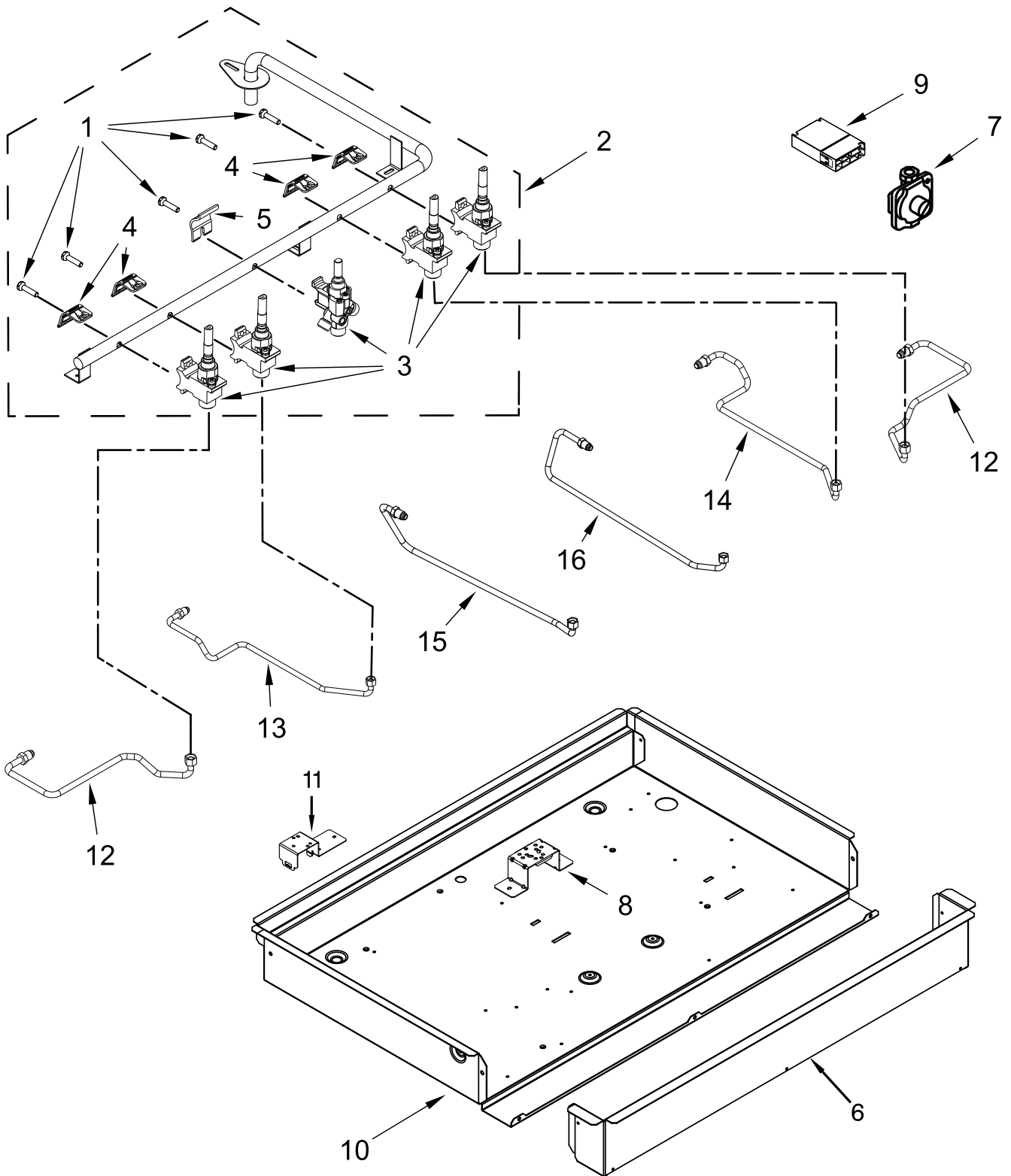
COOKTOP, BURNER AND GRATE PARTS



COOKTOP, BURNER AND GRATE PARTS

<u>Illus. No.</u>	<u>Part No.</u>	<u>Description</u>	<u>Illus. No.</u>	<u>Part No.</u>	<u>Description</u>	<u>Illus. No.</u>	<u>Part No.</u>	<u>Description</u>
1		Literature Parts	8	8286815	Head, Burner (Left Front & Right Front)	16	W10416057	O-Ring
	W10597144	Installation Instructions		8286813	Head, Burner (Left Rear)	17	8286863	Spring, Electrode
	W10672375	Undercounter Install Instructions		8286814	Head, Burner (Right Rear)	18		Kit, Burner Cap
	W10597142	Use & Care Guide					W10635600	Black (Includes Melt Cap)
	9762761	Tips, Safe Cooking (English)	9	W10593536	Bezel, Knob			Following Parts Not Illustrated
	W10065852	Tips, Safe Cooking (French)	10	8287059	Screw		W10617403	Insulation, Cooktop
2		Cooktop	11	W10674732	Orifice (10K) (Left Front & Right Front)			
	W10722084	Stainless		W10151353	Orifice (6K) (Left Rear)			
3		Kit, Burner Cap		W10674728	Orifice (7K) (Right Rear)			
	W10617345	Black	12	W10541842	Wiring, Electrode (Left Front & Right Front)			
4	W10583860	Assembly, Side Grate		W10541843	Wiring, Electrode (Left Rear & Right Rear)			
5	W10583862	Grate, Center	13	W10730779	Spreader, Burner			
6		Knobs, Cooktop	14	W10625853	Assembly, Burner Base (17K)			
	W10545849	Stainless	15	W10657994	Electrode, Burner			
7	W10674920	Holder, Orifice (10K) (Left Front & Right Front)						
	W10674918	Holder, Orifice (6K) (Left Rear)						
	W10674919	Holder, Orifice (7K) (Right Rear)						

BURNER BOX, GAS VALVES AND SWITCH PARTS



BURNER BOX, GAS VALVES AND SWITCH PARTS

<u>Illus. No.</u>	<u>Part No.</u>	<u>Description</u>	<u>Illus. No.</u>	<u>Part No.</u>	<u>Description</u>	<u>Illus. No.</u>	<u>Part No.</u>	<u>Description</u>
1	8287057	Screw, Valve Bracket	7	W10132345	Regulator, Pressure	15	W10545801	Tubing, Gas Burner (Center, Main)
2	W10682072	Assembly, Pipe Manifold	8	W10594429	Bracket, Orifice Holder	16	W10545800	Tubing, Gas Burner (Center, Simmer)
3	W10717630	Valve, Single (Left Front & Right Front)	9	W10475149	Module, Spark (2+0 Filtered)	FOLLOWING PARTS NOT ILLUSTRATED W10577586 Harness, Switch W10392003 Cord, Power W10132200 Relief, Strain W10676662 Kit, LP Conversion 7208P024-60 Seal, Manifold Pipe Inlet ACCESSORIES W10662080 Griddle		
	W10617357	Valve, Single (Left Rear)	10	W10710916	Box, Burner			
	W10717628	Valve, Single (Right Rear)	11	W10545802	Bracket, Dual Burner			
	W10717629	Valve, Dual (Center)	12	W10545796	Tubing, Gas Burner (Left Front & Right Front)			
4	8287055	Bracket, Single Valve	13	W10545797	Tubing, Gas Burner (Left Rear)			
5	8287056	Bracket, Dual Valve	14	W10545798	Tubing, Gas Burner (Right Rear)			
6	W10705474	Panel, Front						