

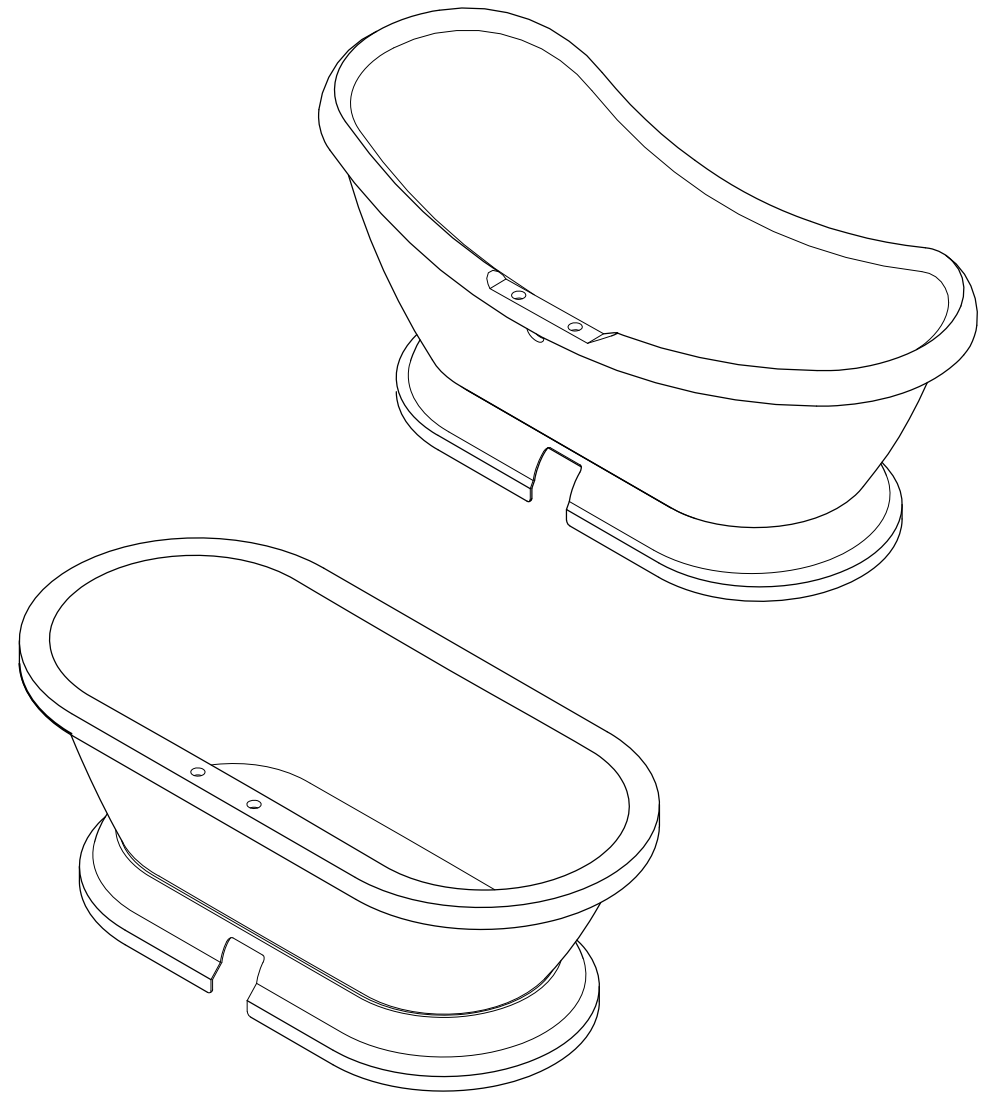
Important

Before you begin Installation please read the following instructions, observe all local plumbing and building codes.

- Check area where tub will be installed to ensure that it is leveled and structurally sound.
- Please unwrap the tub and check it carefully for any damage that may have occurred during transportation.
- Check that all parts are included.
- If you have any missing parts, damage is found or have any questions regarding the installation process contact customer service at (877)-252-7277.
- Store bathtub in a safe place until you begin installation to avoid damage to the tub's surface.
- No claims for damages or blemishes will be accepted once the tub has been installed.
- We recommend that the installation of this tub be done by a qualified licensed professional.
- Because of its weight and volume we recommend that the installation of this tub be done with the help of at least one other person, a fall even what may seem like a minor one may result in cracking of the tub, moving straps and rubber gripped gloves are recommended.
- These Installation instructions do not include details of waste connections, the final details should be determined by your contractor

Aqua Eden

ELEMENTS OF DISTINCTIVE STYLE



www.kingstonbrass.com

TOLL-FREE CUSTOMER SERVICE: 1-877-2-KBRASS

TECHNICAL SUPPORT E-mail: service@kingstonbrass.com

12775 Reservoir Street, Chino, CA 91710

Aqua Eden

ELEMENTS OF DISTINCTIVE STYLE

INSTALLATION INSTRUCTIONS

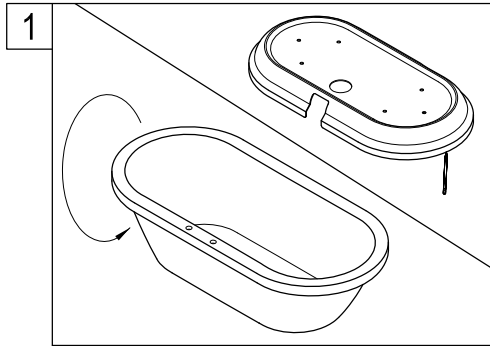
Acrylic Tub with or without Drain

Caution

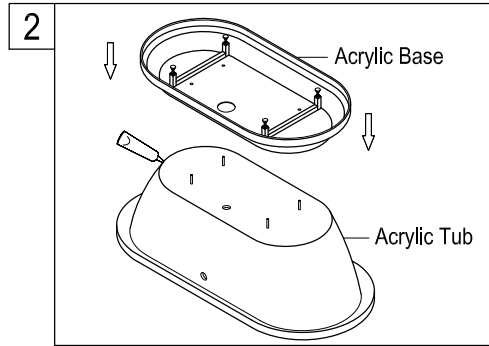
This bathtub is heavy. Get help lifting and moving this tub. Read all instructions thoroughly before starting the installation.

Important Points to Remember :

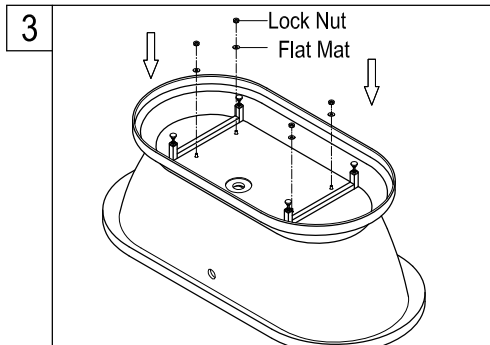
1. Provide adequate floor support.
2. Make sure the subfloor is level. Provide drain access from below. Provide access to all plumbing connections. Observe local building and plumbing codes.



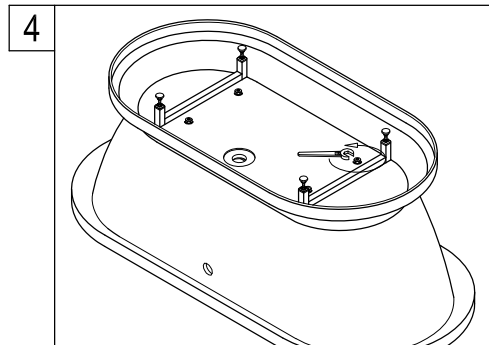
1. Position the base at the desired location, with a pencil mark the perimeter of the base, also mark the location of where the tub drain will be situated, remove base and place the tub upside down on a blanket or piece of cardboard.



2. After applying silicone based caulking around the perimeter of the tub, turn over the base and align the four holes with the four bolts on the tub, slowly lower the base until the bolts have gone through the holes on the base.

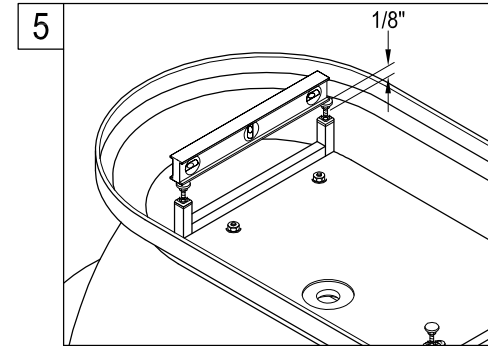
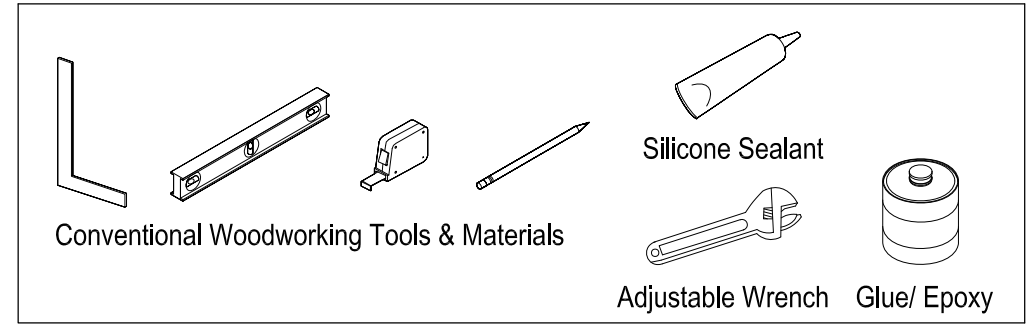


3. Apply a washer to each of the four bolts then apply and tighten the lock nuts onto the bolts by using an adjustable wrench.

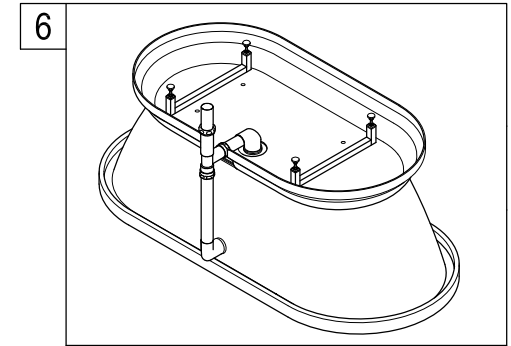


4. Once the locknuts have been fully threaded and tightened, check that the base is securely attached to the tub, wipe off any excess caulking.

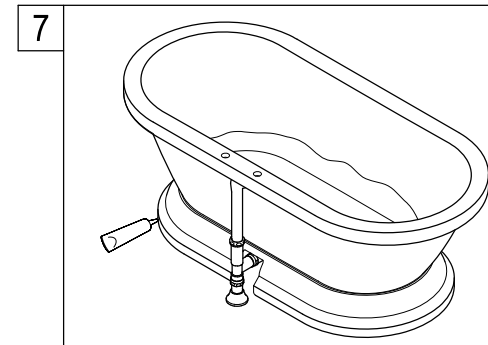
Need Tools:



5. Adjust feet so that they protrude 1/8" below the level of the tub, you can accomplish this by placing a level or a straight piece of lumber across the width of the tub.



6. Install drain as per manufacturer's instructions.



7. Close the drain and fill the tub with 2" to 5" with water, while inspecting the connection from below the floor, drain the tub and check for leaks. Apply caulking around the perimeter as needed, clean excess caulking.

Cleaning

Clean with a damp cloth only.
Avoid using metal or abrasive polishes.

Aqua Eden

ELEMENTS OF DISTINCTIVE STYLE

Optional Fiberglass Tub Deck Drilling Instructions

Additional Tools Needed:

- Painters Tape or Masking Tape
- Measuring Tape
- Safety glasses or goggles
- Dust mask or other protective face covering
- Power Drill
- Metal Drill Bit for Guide Hole Drilling
 - Please see your Hole Saw bit's instructions for the appropriate size
- Hole Saw Drill Bit (example - Hole Saw Bits Kit @ Home Depot)
 - Diameter depends upon hole size needed for faucet install
 - Please refer to faucet installation instructions for the diameter of the hole saw needed
 - Please refer to the hole saw manufacturer instructions to ensure the bit works with fiberglass
- Fine grit sandpaper (optional)

Instructions for Drilling Faucet Holes:

1. Apply masking tape or painters tape over the area(s) to be drilled, be sure tape covers the whole area being drilled and 1 to 1-½" beyond the drilling.
2. Measure and mark the location of the hole to be drilled and of the center of the drill hole with a dot, cross or another mark.
3. Put on safety glasses/goggles and a dust mask or other protective face covering, leave them on until all drilling and sanding steps are completed.
4. Using the appropriate size metal drill bit and power drill, drill the hole for the guide bit.
 - a. Please consult the Hole Saw manufacturer's instructions for the size of the guide bit hole.
 - b. Lower speeds are recommended for the guide hole drilling.
5. Change out the drill bit for the Hole Saw bit and drill hole(s) as prepared.
 - a. Starting at a lower drill speed for the guide bit then increasing drill speed for the hole saw is recommended.
 - b. Be sure to keep the drill and bit straight, perpendicular to the deck surface during the whole drilling process to prevent binding.
6. After drilling allow the surface to cool for a moment before removing the tape.
7. Inspect drill hole and if desired use fine-grit sandpaper to clean up the inner edges of the drilling(s).
8. Remove any dust or shavings remaining on the tub surface by wiping gently with a clean, damp cloth or paper towel.
9. Remove safety glasses/goggles and protective face covering and clean up any tools and debris remaining.

www.kingstonbrass.com

TOLL-FREE CUSTOMER SERVICE: 1-877-2-KBRASS

TECHNICAL SUPPORT E-mail: service@kingstonbrass.com

12775 Reservoir Street, Chino, CA 91710