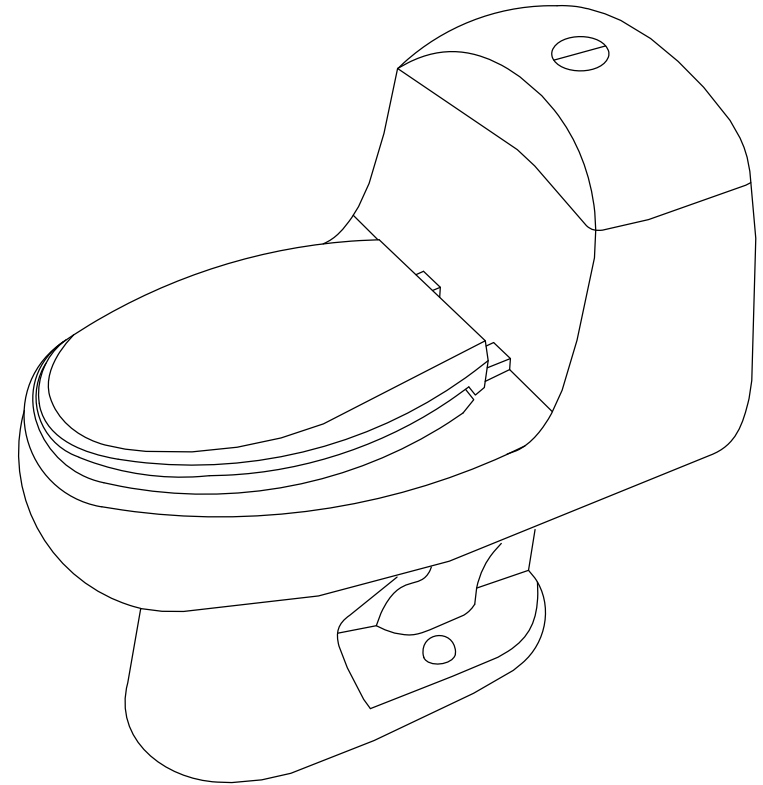


KINGSTON

KITCHEN & BATH



	⚠ WARNING
	Lifting hazard. Single person lift could cause injury. Use assistance when moving or lifting.

www.kingstonbrass.com
TOLL-FREE CUSTOMER SERVICE: 1-877-2-KBRASS
TECHNICAL SUPPORT E-mail: service@kingstonbrass.com
12775 Reservoir Street, Chino, CA 91710

KINGSTON

KITCHEN & BATH

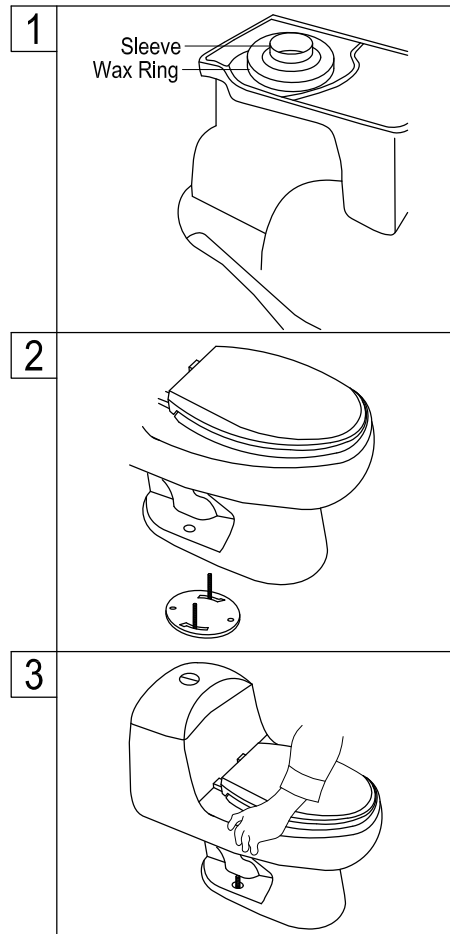
INSTALLATION INSTRUCTIONS

For Use Toilet

Remove Old Toilet :

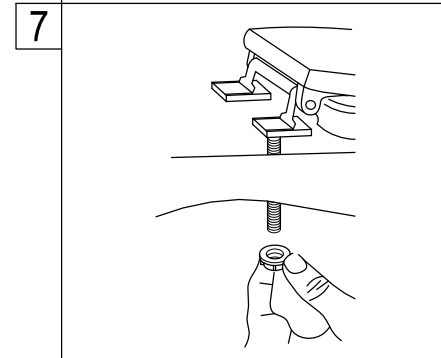
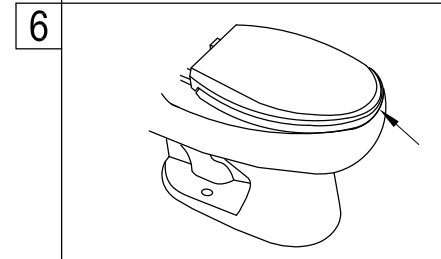
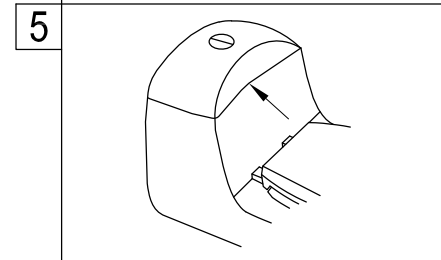
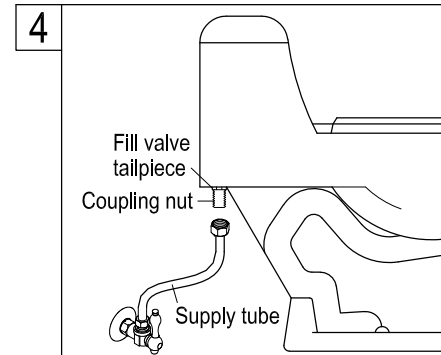
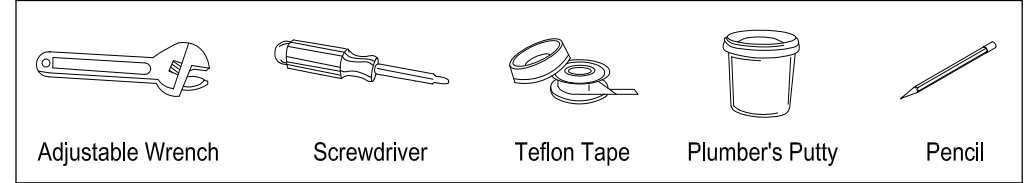
1. Close water supply line to toilet
2. Flush toilet until most of the water is drained, with a rag soak up as much of the remaining water as possible.
3. Remove bolt caps and unthread nuts, remove toilet and T-Bolts cover opening with a rag to prevent debris or tools from falling inside the drain.
4. Scrape remnants of the old wax ring by scraping with a spatula.

Installation New Toilet Step :



1. Set the bowl upside down on a soft surface Press the wax ring onto the toilet bottom outlet, remove the rag from the drain opening.
2. Carefully align the toilet with drain and lower making sure that T-Bolts protrude from holes of the bowl, apply firm and even pressure.
3. Insert bolt cap bases washers and nuts onto bolts. Tighten bolts, alternating from side to side, should be bolts impede the installation of the cap, cut excess bolt length and file the edges.

Need Tools:



4. Apply Teflon tape to toilet tank inlet and attach supply line.
5. Adjust tank lid to fully cover up and firmly sit on the top of tank. Normally, the tank lid's front edge may protrude a little from the tank.
6. Align seat bolts with holes on bowl, then move the seat forward to ensure its front end is aligned with the front side of the bowl.
7. Screw the plastic nuts onto the seat bolts from the under side of the bowl, do not over-tighten