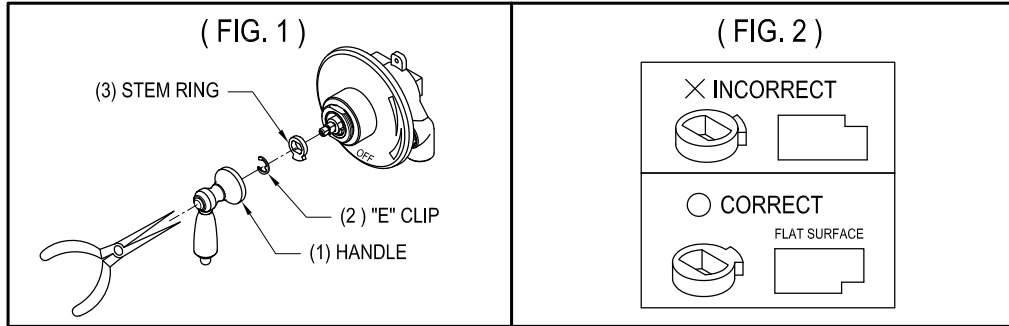


Back to Back installation instructions

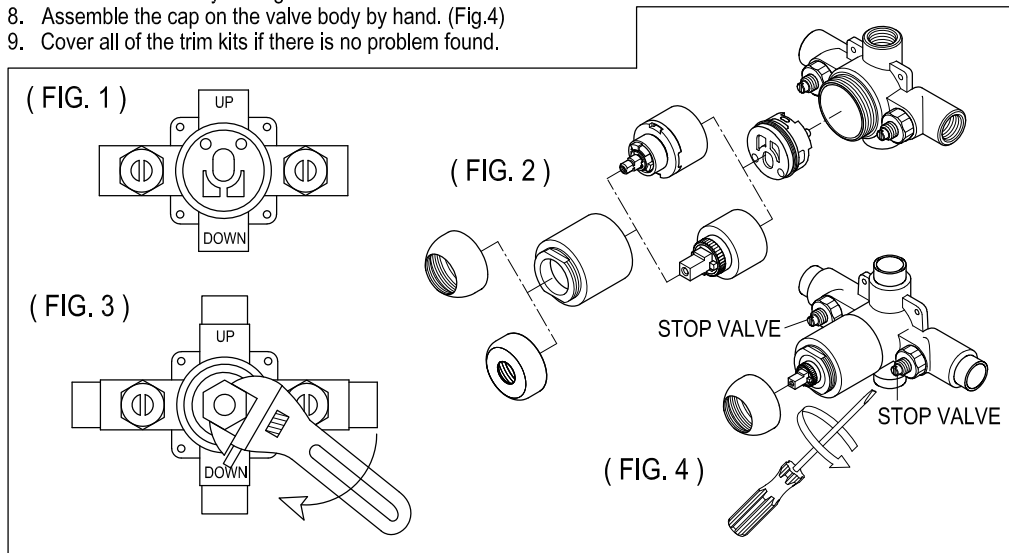
In situations where the hot and cold water inlet supplies are not in the standard positions, a reversible type cartridge can be used. A reversible cartridge will allow you to modify the direction of the water supply to the correct orientation without changing the pipe locations. It is easy to change the installation by yourself by using the following instruction.

1. Remove the handle (1) from the body with hand. (Fig.1)
2. Remove the "E" clip (2) from the cartridge body with pliers.
3. Remove the stem ring (3) from the cartridge body with pliers.
4. Reverse the cartridge stem by turning 180. (It is not necessary to remove the cartridge.)
5. Replace the stem ring into the cartridge make sure the flat side is on top. (see Fig 2)
6. Replace the "E" clip onto the cartridge body.
7. Reinstall the cap to the body and hand tighten.



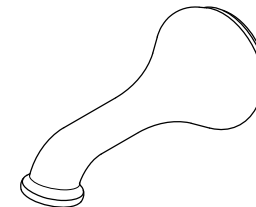
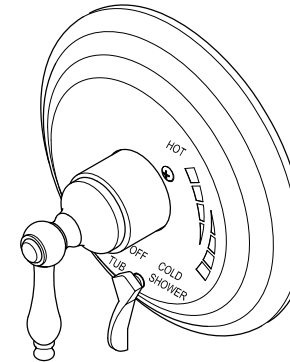
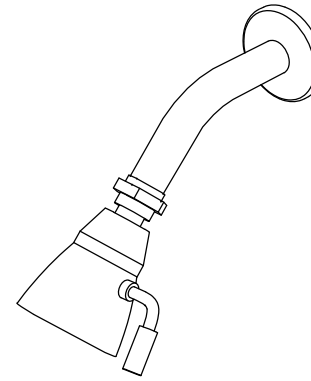
Procedure for the Pressure Balance Spool Assembly Repair and Maintenance

1. Close the water supply stops.
2. Remove the valve cartridge pressure balance spool assembly by proper tools as Fig. 2.
3. When put back or renew the pressure balance spool assembly into the valve body by proper tools, please adjust the arrow indication mark right down direction to make sure the rib of spool assembly fit well. (Fig.1) Then push the assembly into the valve correctly.
4. Place the valve cartridge back on the pressure balance spool assembly and tight the whole assembly. (Fig.2)
5. Use adjustable wrench to tight lock nut clockwise direction. (Fig.3)
6. Use screw driver to open stop valve counterclockwise direction. (Fig.4)
7. Check if there is any leakage.
8. Assemble the cap on the valve body by hand. (Fig.4)
9. Cover all of the trim kits if there is no problem found.



KINGSTON

KITCHEN & BATH



www.kingstonbrass.com
 TOLL-FREE CUSTOMER SERVICE: 1-877-2-KBRASS
 TECHNICAL SUPPORT E-mail: service@kingstonbrass.com
 12775 Reservoir Street, Chino, CA 91710

KINGSTON

KITCHEN & BATH

INSTALLATION INSTRUCTIONS Pressure Balancing Valve Tub & Shower Unit

NOTE : FLUSH ALL PIPING

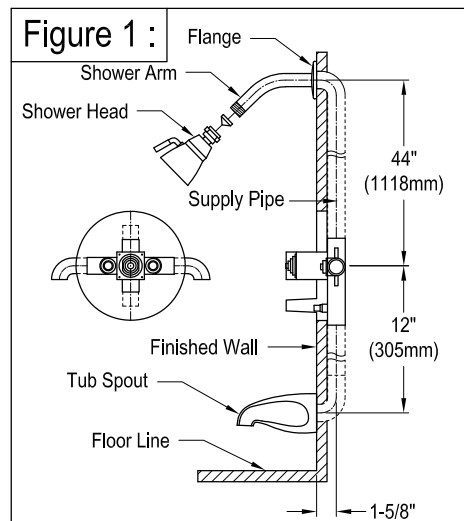
THOROUGHLY BEFORE INSTALLATION .

Teflon tape on all threaded connections are required.

SHUT OFF THE WATER SUPPLY VALVES BEFORE INSTALLATION .

Tools required for installation of this product are :

1. Screw Driver
2. Tubing Cutter
3. Teflon Tape
4. Adjustable Wrench
5. Channel-lock Pliers
6. Measuring Tape



Step 1 :

Install piping and fittings with valve body as shown in Figure 1.

Note: Pex tubing installed from valve body to tub spout restricts water flow that can cause water to drip from showerhead.

Always run copper from the valve body to the tub spout.

IMPORTANT :

Valve rough-in is 1-5/8" ± 1/4" from CENTERLINE OF SUPPLIES TO FACE OF FINISH WALL.

Facing front of valve body connect hot water to left side "up" and "down" cast into the back of body.

Position "up" to the shower.

Measure the length of pipe from the valve body to the shower arm opening. Connect the pipe to the top thread of the valve body. Slip the flange onto the shower arm and connect shower arm to the supply pipe.

Please see Figure 1.

For standard wall installation, secure the valve so that indicated line on plastic plate is flushed with the finished wall surface as shown in Figure 1A .

Step 2 :

Measure the length of pipe from the valve body to the tub spout opening. Connect the pipe to the end thread of the valve body. The length of the pipe connecting the spout and supply pipe will be different because of different model number. Please see Figure 2. Wrap Teflon tape on threads of the pipe and thread the tub spout onto the wall.

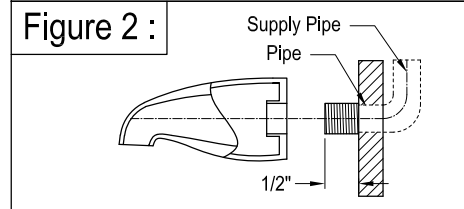
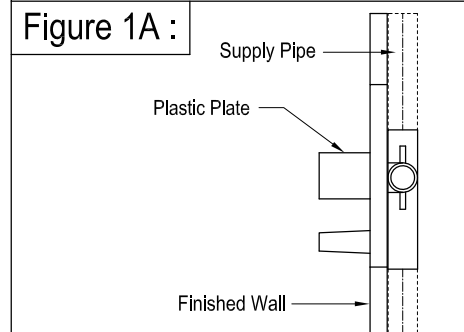
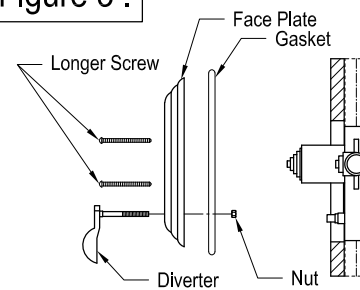


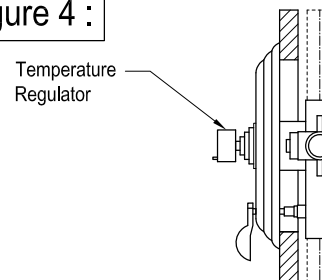
Figure 3 :



Step 3 :

Unscrew the screws on the plastic plate and remove the plastic plate. Mount gasket onto the back of face plate. Install the diverter handle into the diverter hole of the face plate. Secure the diverter handle by threading the nut onto the face plate as illustration. Position the face plate onto the valve body and thread the longer screws provided tight. Please see Figure 3.

Figure 4 :



Step 4 :

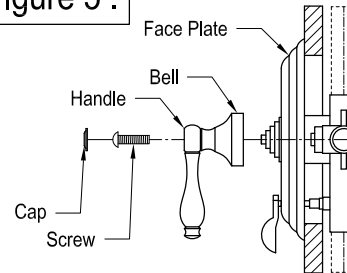
Reset the temperature regulator on the position you would like the temperature to be. Turn on the water supply valves to make sure the temperature suits your requirement.

When water is running, check for any leaks.

Tighten connections as necessary.

Please see Figure 4.

Figure 5 :



Step 5 :

Thread the bell onto the stem of the valve body . Install the handle onto the bell and secure it by threading the Allen screw. Please see Figure 5.

Step 6 :

After installation is completed, turn on the hot and cold water supply valves fully for three minutes. Check for any leaks or drips.

Tighten connections as necessary.

CAUTION!!!

1. Water lines must be completely flushed before use, to avoid debris & clogs in your water system leading to reduction of water flow and mal-functioning.
2. Warranty is void if water lines are not flushed prior to use and installation of the new faucet.
3. Use of abrasives of any strength may damage the finish of the faucet and void the product warranty.
4. Do not over tighten your faucet on the countertop during installation. The valve assembly is tested to meet the standards set by ASME A112.18.1 sec 5.8 which is listed at 100 LBF. However, over-tightened or over-torqued nuts may lead to cracks on the valve and will eventually lead to leaking and water damage.
5. Before installation of the faucet to the desired fixture, you need to secure and anchor your console, sink, tub, or vanity cabinet firmly to the wall and to the floor. To ensure your fixture or faucet mounting surface cannot be moved, before installation of the faucet, please test to see if the cabinet or vanity can be moved by hand or body weight. If the faucet mounting fixture is not secure and anchored, it will eventually crack the valve and cause leaking leading to property damage. In order to avoid this, be sure to secure your installation surface. Do not use any Power Tools for assembly and installation which can cause internal fractures to the fixture.