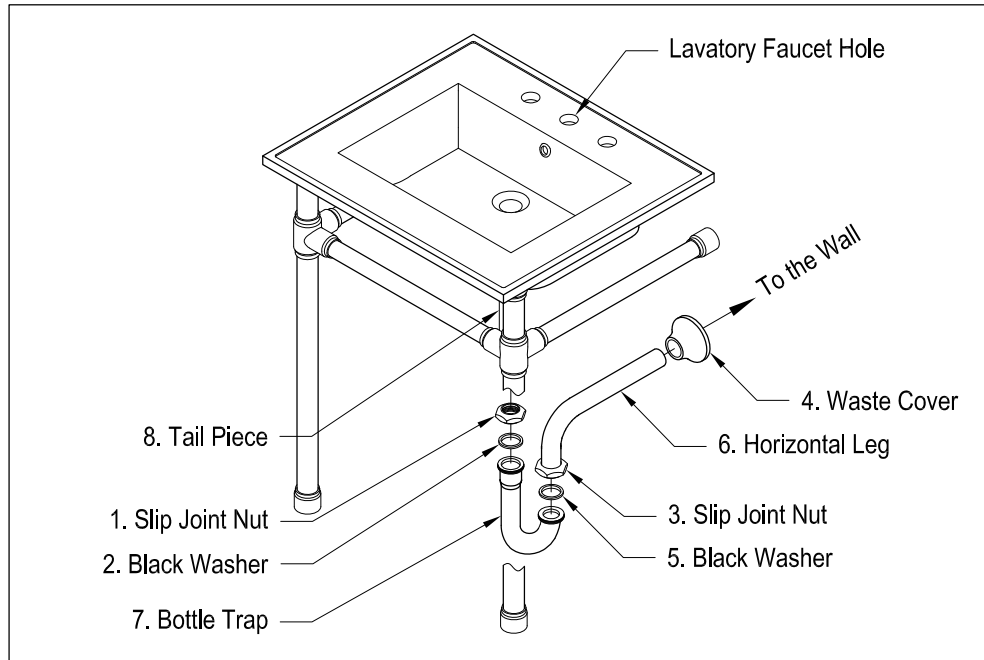
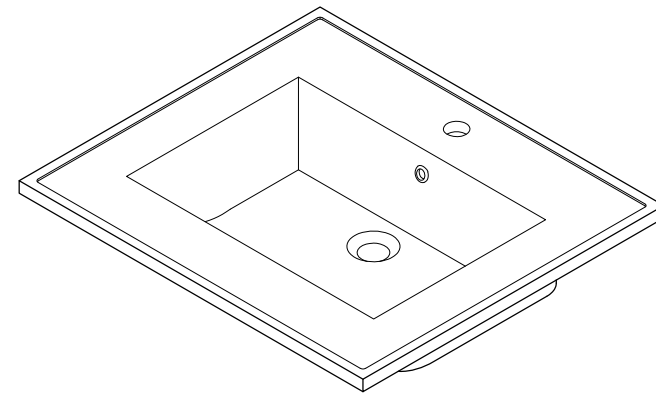
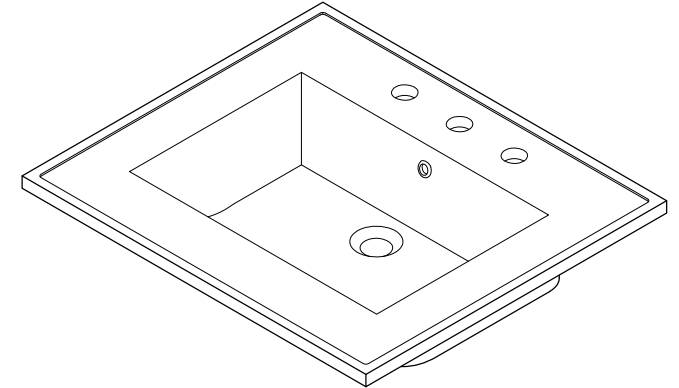


P-Trap Installation:



1. Remove horizontal leg and slip joint nut from bottle trap.
2. Apply Teflon tape to all exposed threads.
3. Insert slip joint nut (3) and waste cover (4) onto horizontal leg (6).
4. Insert horizontal leg into wall waste opening, do not tighten.
5. Insert black washer (2) and slip joint nut (1) onto tail piece (8).
6. Attach bottle trap (7) to tail piece and hand tighten slip joint nut (1).
7. Align bottle trap with horizontal leg and tail piece, at this point it may be necessary to cut part of tail piece or part of horizontal leg to obtain proper alignment.
8. After all components have been properly aligned, insert horizontal leg making sure to insert black washer (5) before tightening slip joint nut (3).
9. Thread both slip joint nuts onto bottle trap and tighten along with slip joint securing horizontal leg to wall waste opening.
10. Check for leakage by opening faucet and letting water run for at least 45 seconds.

FAUCETURE



www.kingstonbrass.com

TOLL-FREE CUSTOMER SERVICE: 1-877-2-KBRASS

TECHNICAL SUPPORT E-mail: service@kingstonbrass.com

12775 Reservoir Street, Chino, CA 91710

FAUCETURE

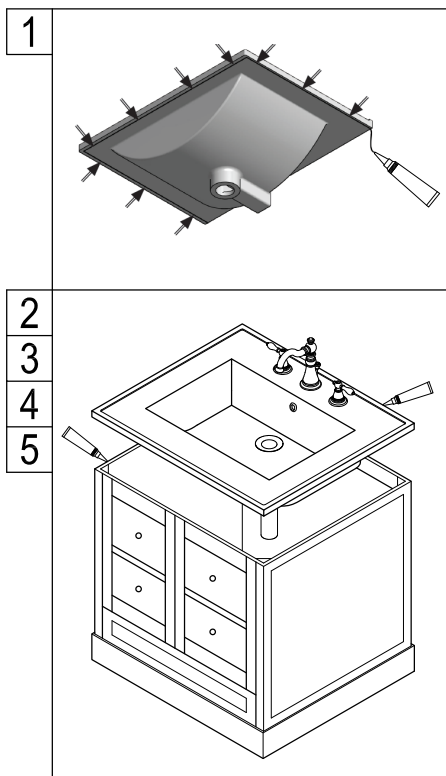
INSTALLATION INSTRUCTIONS

Vanity Tops and Console Sink

Before Installation :

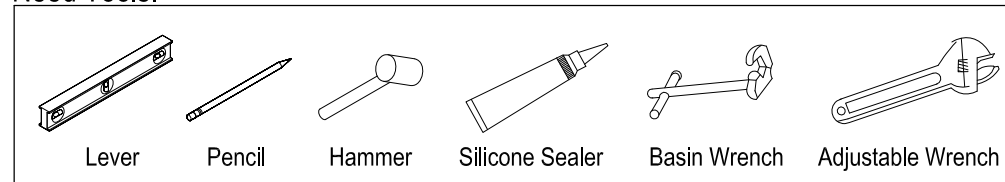
1. Prior the installation, unpack your new Kingston Brass product and inspect it keep the product in its original package until you are ready to install it.
2. Shut the water supply off when replacing an existing fixture. Preparation of the floors and walls, including all additional wall supports, maybe required.
3. Observe all local plumbing and building codes.
4. Do not install this fixture alone.
5. Make sure to select appropriate drain as some of Kingston Brass vessel sinks do not include overflow hole.

For Countertop Installation :

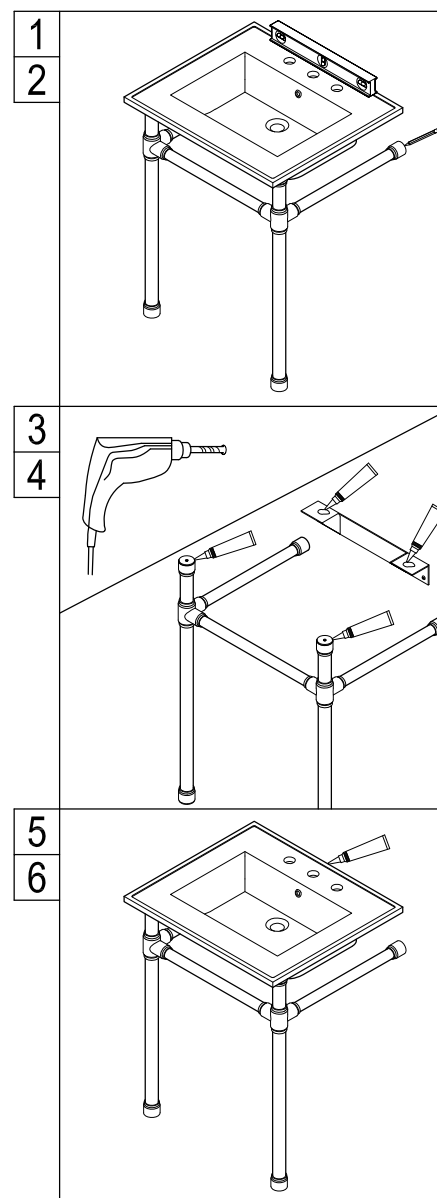


1. Before installing the basin, create a drip edge on its bottom side, apply a thin strip of silicone sealant as close as possible to the wash basin edge so that water flowing over the wash basin won't leak into the cabinet.
2. Place wash basin on cabinet and make sure its front is parallel with the front of the cabinet.
3. Install faucet and drain on the basin and place a layer of silicon sealant to the top edge of the cabinet vanity then Center the basin over the vanity. Press the basin evenly into the caulk.
4. Connect the water supply lines and install the drain (refer to P-Trap installation)
5. Clean excess silicone around the perimeter of the sink.

Need Tools:



For basin pedestal Installation:

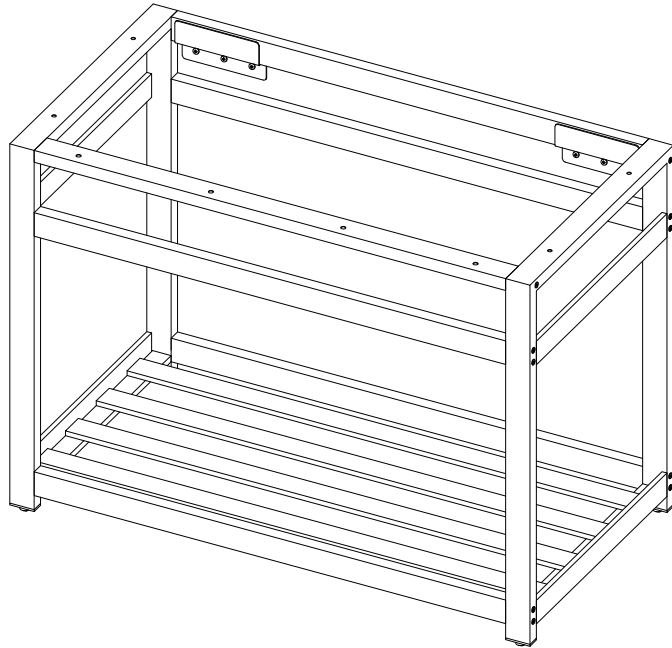


1. With the help of a second person gently place basin on top of pedestal and level.
2. Mark the location of the mounting bracket holes, also mark the location of the pedestal.
3. Remove basin and pedestal, drill holes for anchors at the marked locations and secure the pedestal and the bracket onto the wall.
4. Apply silicon sealant on the tops of the vertical legs and the top surface of bracket.
5. Gently place the basin on top of the pedestal and apply a bead of silicon sealant on the top edges of the basin.
6. Install faucet and drain on basin as per faucet manufacturer's instructions.

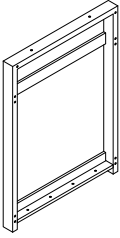
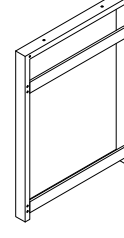
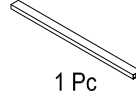
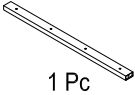
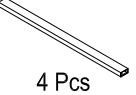




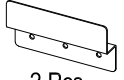
KINGSTON

KITCHEN & BATH

Steel Bathroom Console Sink Base Installation

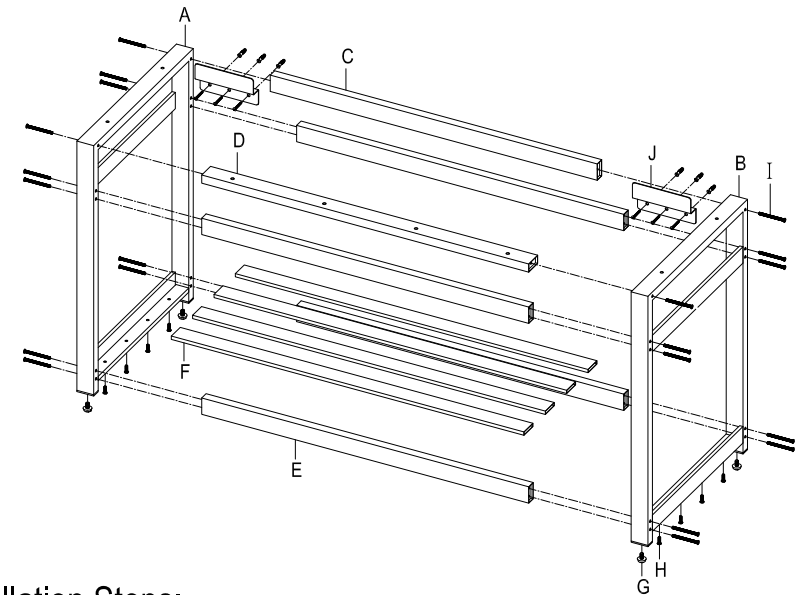


Parts:

□ Shape		Straight Tube			Gasket
					
1 Pc	1 Pc	1 Pc	1 Pc	4 Pcs	4 Pcs
		Screw		Bolt	Mounting Bracket
					
4 Pcs	8 Pcs	20 Pcs	2 Pcs		

www.kingstonbrass.com
 TOLL-FREE CUSTOMER SERVICE: 1-877-2-KBRASS
 TECHNICAL SUPPORT E-mail: service@kingstonbrass.com
 12775 Reservoir Street, Chino, CA 91710

TOOLS REQUIRED



Installation Steps:

- Step 1. Thread adjustable leg screws "G" to the bottom of parts A & B.
- Step 2. Locate part C and join parts A & B by attaching part "C" to the top rear of the support assembly using the attached Allen bolts "I".
- Step 3. Locate part "D" and attach to the top front of the assembly, holes should be on the top surface of the support beam.
- Step 4. Vertically attach support beams "E" to the front and rear of the support structure.
- Step 5. Place Bottom rack slats "F" on the bottom support beams on Parts "A" & "B" and secure using enclosed Phillips screws "H".
- Step 6. Level entire structure by adjusting leg screws "G" as necessary.
- Step 7. Once unit has been assembled place at the desired location and after leveling draw a line across the bottom of the top vertical beam (C).
- Step 8. Remove the Console sink base, find the location of the wood studs and using the marked line as a guide to install support brackets at the location of the studs, make sure at least one of the screws is secured to the wood; you will need an anchor to secure from a secondary point in the bracket.
- Step 9. The depth of wall drill hole for installing anchor should be 40mm (1-5/8") Min.
- Step 10. Slide Console sink base into place and attach top sink.

Cleaning

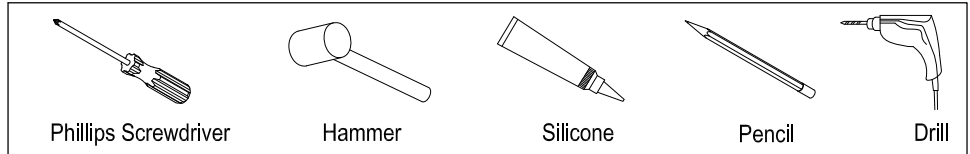
Clean with a damp cloth only.
 Avoid using metal or abrasive polishes.

FAUCETURE

INSTALLATION INSTRUCTIONS

L Shape Mounting Bracket

Need Tools:

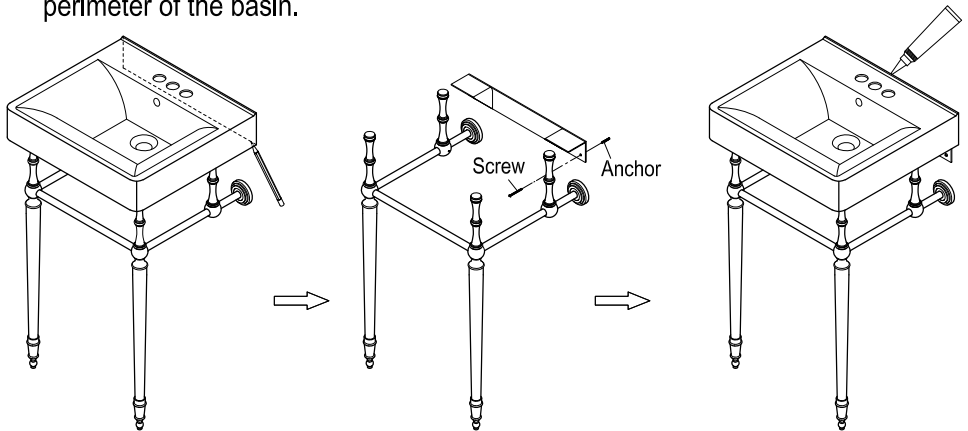


Note:

If the basin is going to be installed on console base which has 4 legs standing on floor, the bracket could be optional.

Installation:

1. Once unit has been assembled place at the desired location.
2. Gently place basin on top of pedestal legs and very carefully place in the location where the pedestal legs will be installed and after leveling draw a line across the bottom of the basin.
3. Remove the basin, find the location of the wood studs and using the marked line as a guide to install support brackets at the location of the studs, make sure at least one of the screws is secured to the wood studs.
4. The depth of wall drill hole for installing anchor should be 52mm (2-1/16") Min.
5. Place basin on top of pedestal legs, apply a bead of silicon around the back perimeter of the basin.



www.kingstonbrass.com

TOLL-FREE CUSTOMER SERVICE: 1-877-2-KBRASS

TECHNICAL SUPPORT E-mail: service@kingstonbrass.com

12775 Reservoir Street, Chino, CA 91710

© 2020-12-D Kingston Brass