

Diverter tub spout  
5-1/2" Long  
3/4" Pipe thread

Slip-Fit adapter  
3/4" M.I.P.  
5/8" I.D.

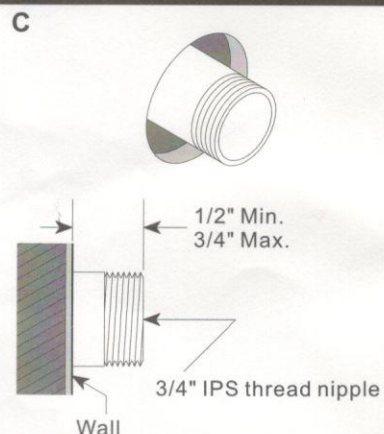
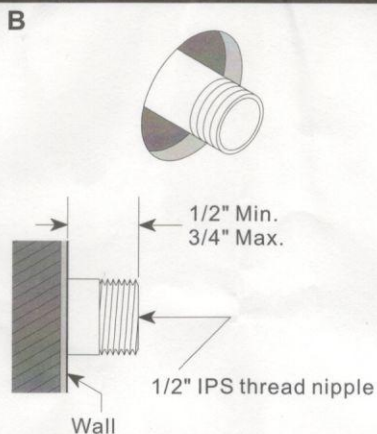
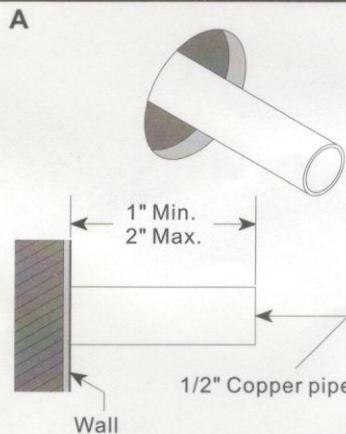
Hex key

Reducer bushing adapter  
3/4"x1/2"

Gasket

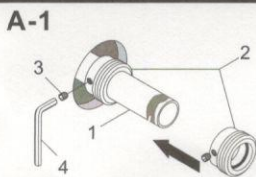
Teflon tape

## Pipe dimensions

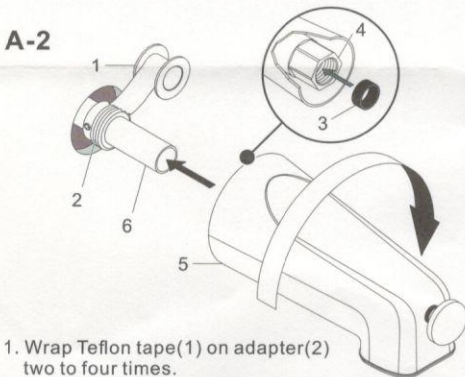


Remove old tub spout. Determine connection using the above images.

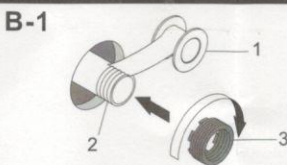
## Replace new tub spout



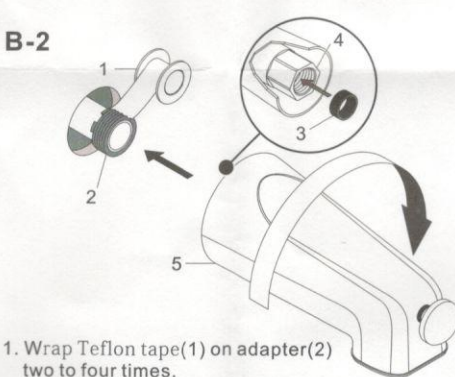
1. Slip adapter(2) onto pipe(1).
2. Install set screw(3) by hex key(4).



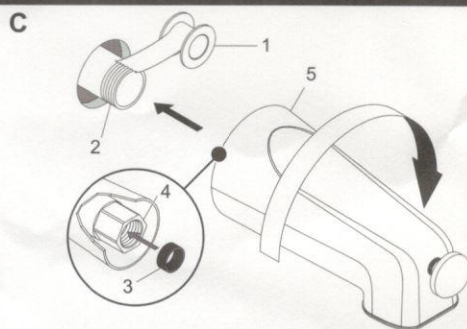
1. Wrap Teflon tape(1) on adapter(2) two to four times.
2. Insert gasket(3) into extension nipple(4).
3. Fasten tub spout(5) onto the copper pipe(6)



1. Wrap 2 to 4 turns of Teflon tape(1) onto nipple(2).
2. Tighten adapter(3) onto nipple(2).



1. Wrap Teflon tape(1) on adapter(2) two to four times.
2. Insert gasket(3) into extension nipple(4).
3. Fasten tub spout(5) onto the adapter(2).



1. Wrap Teflon tape(1) on adapter(2) two to four times
2. Insert gasket(3) into extension nipple(4).
3. Fasten tub spout(5) onto the nipple(2).