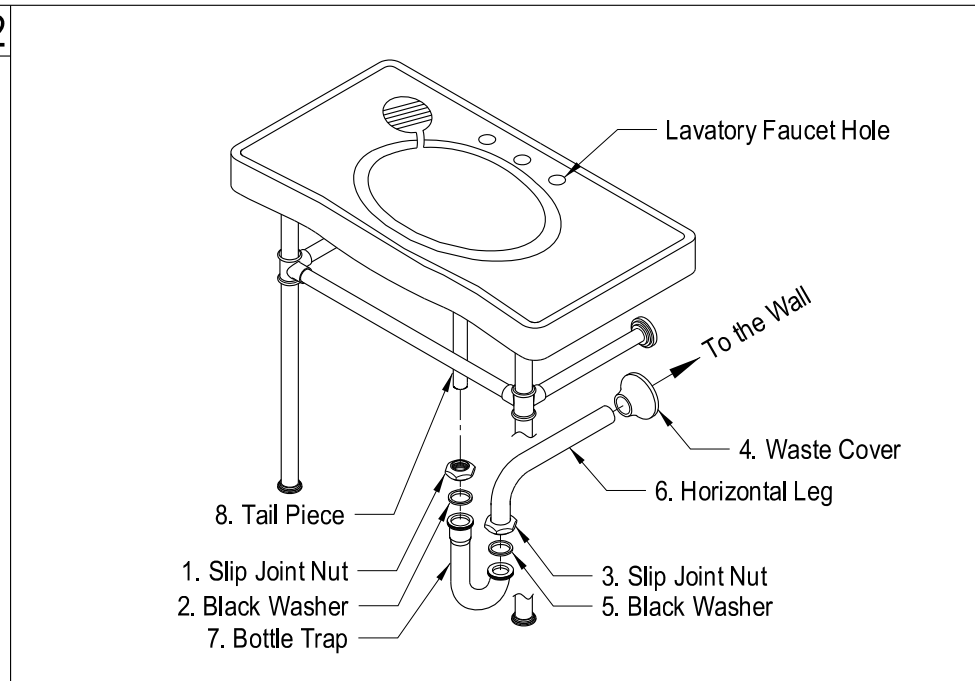


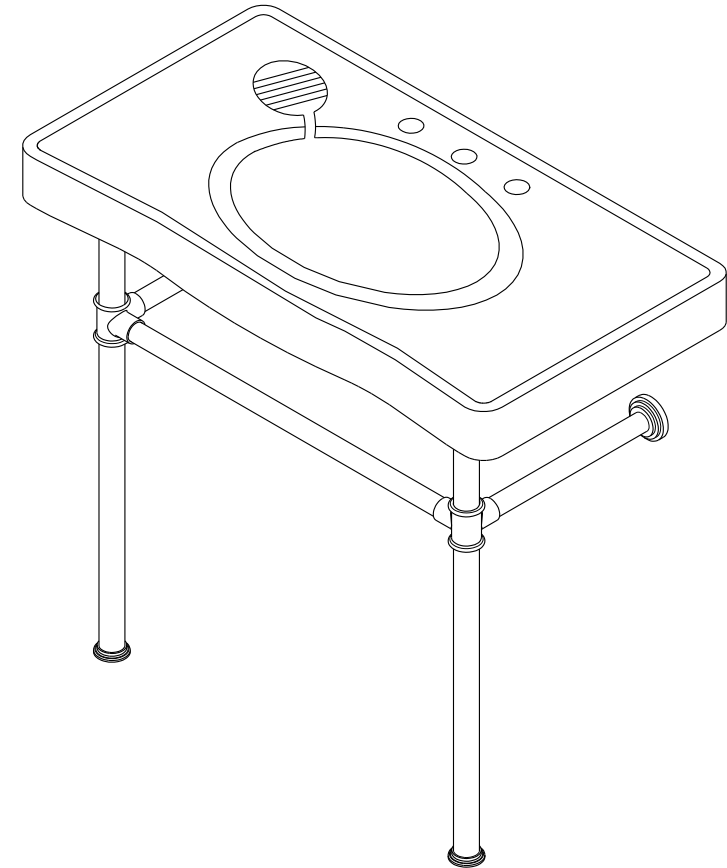
P-Trap Installation:

12



1. Remove horizontal leg and slip joint nut from bottle trap.
2. Apply teflon to all exposed threads.
3. Insert slip joint nut(3) and waste cover(4) onto horizontal leg(6).
4. Insert horizontal leg into wall waste opening, do not tighten.
5. Insert black washer(2) and slip joint nut(1) onto tail piece(8).
6. Attach bottle trap(7) to tail piece and hand tighten slip joint nut(1).
7. Align bottle trap with horizontal leg and tail piece, at this point it may be necessary to cut part of tail piece or part of horizontal leg to obtain proper alignment.
8. After all components have been properly aligned, insert horizontal leg making sure to insert black washer(5) before tightening slip joint nut(3).
9. Thread both slip joint nuts onto bottle trap and tighten along with slip joint securing horizontal leg to wall waste opening.
10. Check for leakage by opening faucet and letting water run for at least 45 seconds.

FAUCETURE



www.kingstonbrass.com

TOLL-FREE CUSTOMER SERVICE: 1-877-2-KBRASS

TECHNICAL SUPPORT E-mail: service@kingstonbrass.com

12775 Reservoir Street, Chino, CA91710

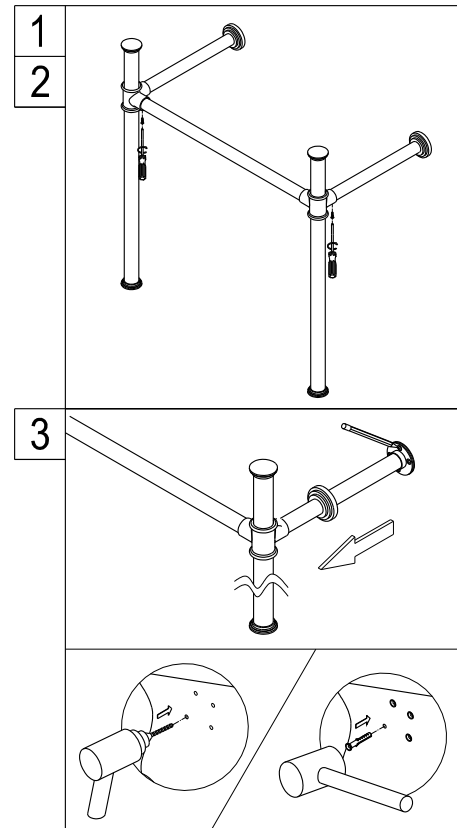
FAUCETURE

INSTALLATION INSTRUCTIONS For Use WALL MOUNT BASIN

Before Installation :

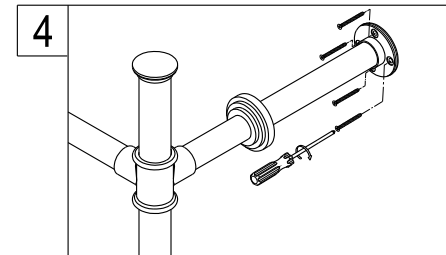
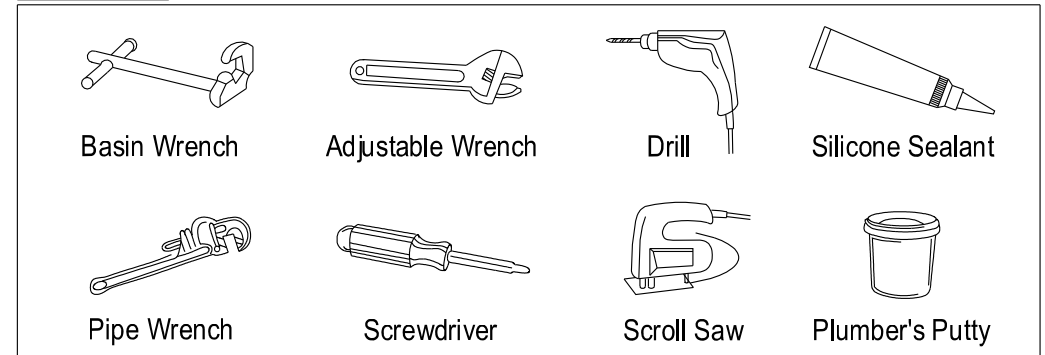
1. Prior the installation, unpack your new Kingston Brass product and inspect it keep the product in its original package until you are ready to install it.
2. Shut the water supply off when replacing an existing fixture. Preparation of the floors and walls, including all additional wall supports, maybe required.
3. Observe all local plumbing and building codes.
4. Do not install this fixture alone.
5. Make sure to select appropriate drain as some of Kingston Brass vessel sinks do not include overflow hole.

Installation Step :

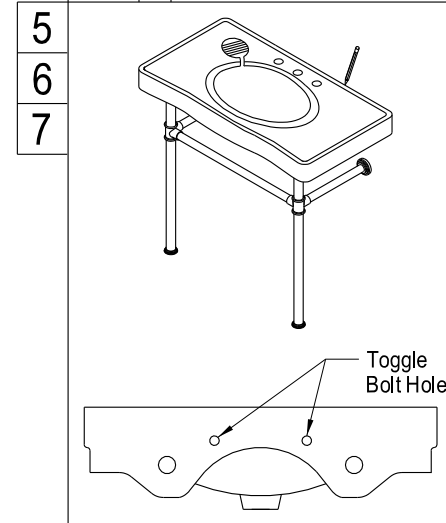


1. Join the 2 Leg supports, by inserting horizontal brace into vertical leg support Tees, and tighten from below with a screwdriver.
2. Insert Horizontal wall support arm (short arm) into leg support, and secure by tightening screw from underneath. Depending on the size of the basin that will be installed, all horizontal braces may be cut to size.
3. Place Leg support assembly at the location where the console will be installed and with a pencil mark the location of the wall support flange, remove and drill the holes necessary to install the anchors.

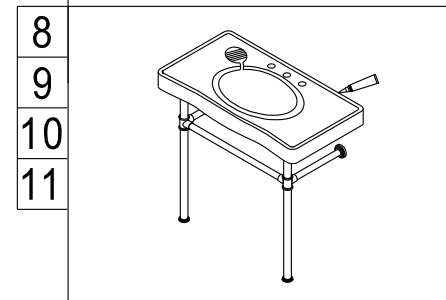
Need Tools:



4. Place leg support assembly at the desired location and attach by screwing base to the wall.



5. Gently place basin on top of pedestal legs and very carefully place in the location where the console will be installed.
6. Mark the location of the mounting holes on the wall, also mark or measure the location of the pedestal, it is recommended that for additional safety, a piece of 1" x 4" x 23" piece of lumber be preinstalled underneath the console to provide additional support.
7. Remove pedestal, drill holes at the marked locations and install anchors.



8. Install faucet and drain on console as per faucet manufacturer's instructions.
9. Apply a bead of silicon around the back perimeter of the basin.
10. Place basin on top of pedestal legs and secure using the proper anchors.
11. Attach supply lines and P trap and clean any excess caulking.