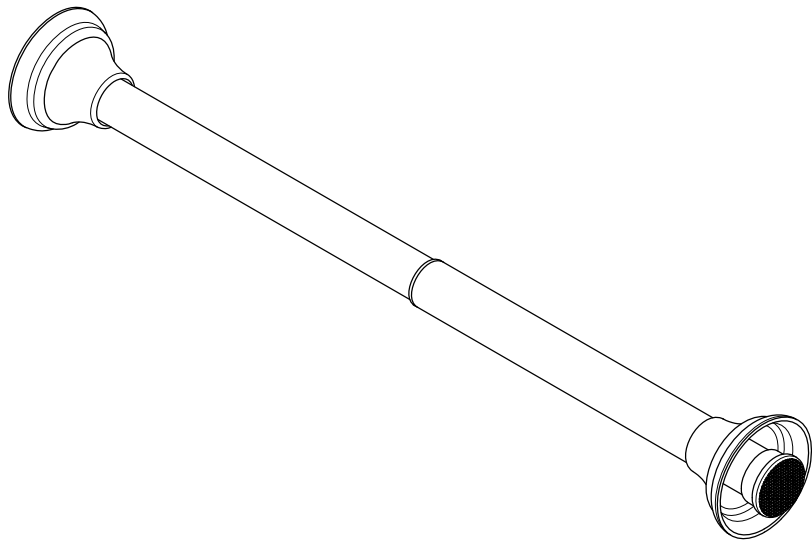


# KINGSTON

KITCHEN & BATH

## Adjustable Shower Rod Installation

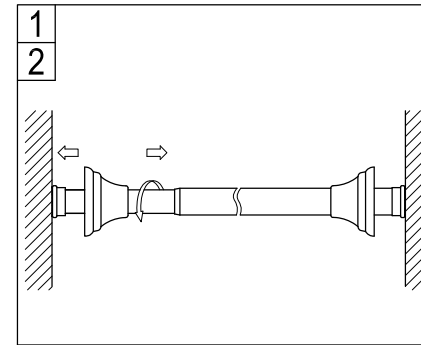


### CAUTION

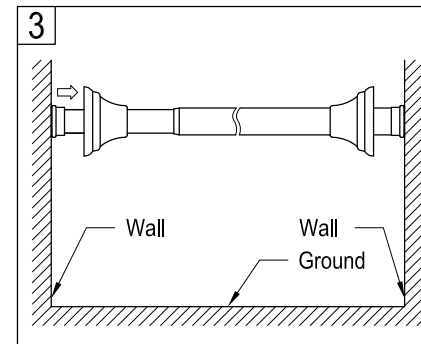
Failure to follow all installation directions may cause product to detach from the wall and cause serious injury

www.kingstonbrass.com  
TOLL-FREE CUSTOMER SERVICE: 1-877-2-KBRASS  
TECHNICAL SUPPORT E-mail: service@kingstonbrass.com  
12775 Reservoir Street, Chino, CA 91710

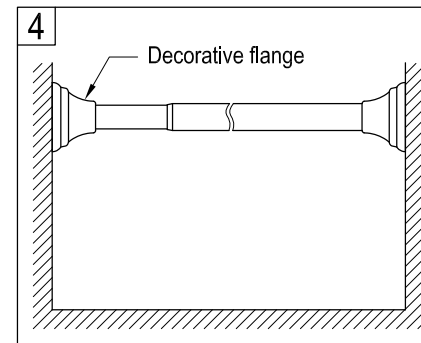
### Installation Steps:



1. Position one end of the shower tension curtain rod at the desired height in the shower enclosure or wall.
2. Extend the rod out to reach the other side of the shower enclosure or wall.



3. Holding the larger sized rod, rotate the smaller rod until it is locked into position securely.



4. Place both decorative flanges against the bases to complete the installation.

### Cleaning

Clean with a damp cloth only.  
Avoid using metal or abrasive polishes.