

Before Installing:

All installations should comply with National and local electrical codes. If you have any doubts concerning installation contact a qualified, licensed electrician.

NOTE: Read all instructions thoroughly before starting installation.

- 1) This fixture can only be used with Kichler® LED Cabinet Lighting fixtures and accessories.
- 2) This fixture must be connected to a UL listed Class 2 24VDC power supply.
NOTE: Power connection cables are UL rated CL2. Installers should check with local building codes to determine if CL2 wire can be run through floors, walls, and ceilings.
- 3) Maximum number of fixtures per run should not exceed power supply wattage rating.
NOTE: After determining the layout of the system, add the wattage of each system component together to calculate the total system consumption. The component wattages are marked on the products themselves. The calculated total system consumption should be equal or less than the 24VDC Class 2 power supply rating that is being used.
- 4) Dry locations.
- 5) Install in cabinet dimensioned not less than:
 - For 12305 (9 ea. 1W LEDs): 24 in. by 12 in. by 12 in.
 - For 12303 (6 ea. 1W LEDs): 16 in. by 12 in. by 12 in.
 - For 12301 (3 ea. 1W LEDs): 10 in. by 12 in. by 12 in.**NOTE:** These dimensions include spacing for the controller and nightlight option.

Connecting Fixture to Power Supply:

- 1) Determine the desired location for mounting first fixture in run. The mounting surface should be a minimum of 1/2" thick and approximately 2" clearance for interconnect cable should be allowed at both ends of fixture.
- 2) Position the fixture against mounting surface with the LED compartment towards wall.
- 3) Drive pre-installed screws into mounting surface until fixture is secure. If screws are difficult to install, remove screws, mark holes, and drill 1/16" maximum pilot holes. (See Fig. 3)
NOTE: DO NOT OVER TIGHTEN SCREWS.
- 4) Connect the power connector cable, part number 12344 from remote power supply or plug-in power supply part number 12383 (30Watt) or 12384 (60Watt) to first fixture in run.
- 5) For power connector cable and plug-in power supply installation instructions refer to instruction sheets supplied with product.

Connecting Fixture to Fixture:

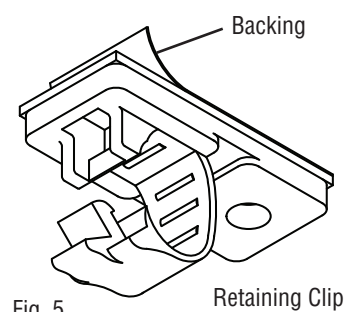
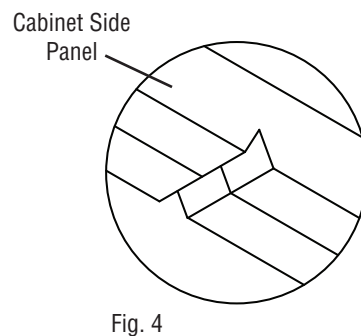
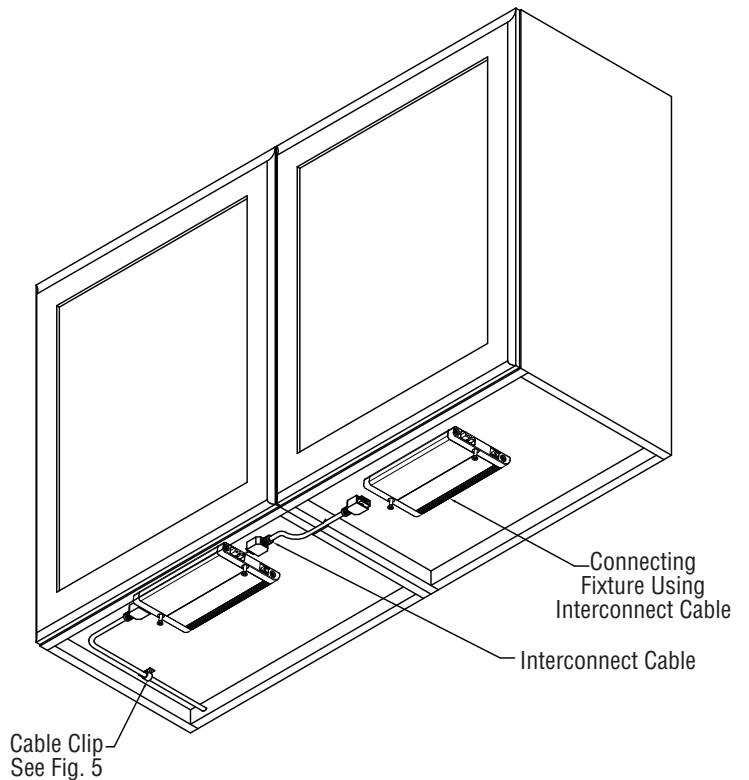
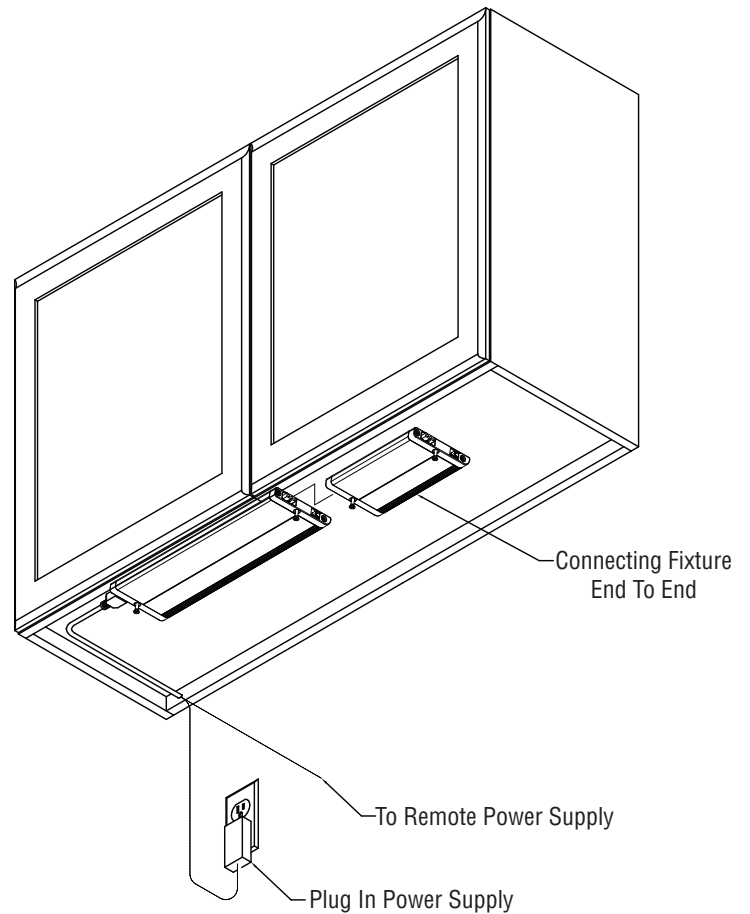
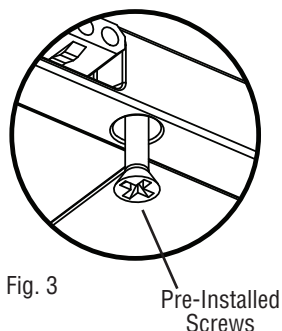
Kichler LED KCL units can be connected end-to-end OR by using one of the Kichler interconnect cables available separately.

END-TO-END

- 1) Align connector on end of new fixture with connector on end of existing fixture.
- 2) Push new fixture to existing fixture until fixtures are flush and connectors snap together.
- 3) Drive pre-installed screws into mounting surface until fixture is secure. If screws are difficult to install, remove screws, mark holes, and drill 1/16" pilot holes. (See Fig. 3) **NOTE:** DO NOT OVER TIGHTEN SCREWS.

USING INTERCONNECT CABLES

- 1) Determine location for next fixture in run.
- 2) Select proper length interconnect cable PN: 12341 (9"), 12342 (14"), 12343 (21") or 12345 (10')
- 3) Drive pre-installed screws into mounting surface until fixture is secure. If screws are difficult to install, remove screws, mark holes, and drill 1/16" pilot holes. (See Fig. 3)
NOTE: DO NOT OVER TIGHTEN SCREWS.
- 4) Hold interconnect cable to mounting surface and determine best path for cable. If interconnect cable is being run from cabinet to cabinet a notch such as a "V" could be cut in cabinet side panels to help keep cable out of sight.
NOTE: Interconnect cable is UL rated CL2. Installer should check with local building codes to determine if CL2 wire is allowed to run through floors, walls and ceilings. (See Fig. 4)
- 5) Peel backing off retaining clip(s) and affix to desired location(s). Surface should be as clean as possible. Drive pre-installed screw into the cabinet surface to secure the retaining clip to the surface.
- 6) Slip Cable into clip(s) and snap closed. (See Fig. 5)



Kichler® Design Pro LED Undercabinet and Disc System meets ENERGY STAR Requirements when used with our Remote Power Supplies 12380BK and 12382BK, a minimum of any 3 fixtures, and a minimum of 20 watts