

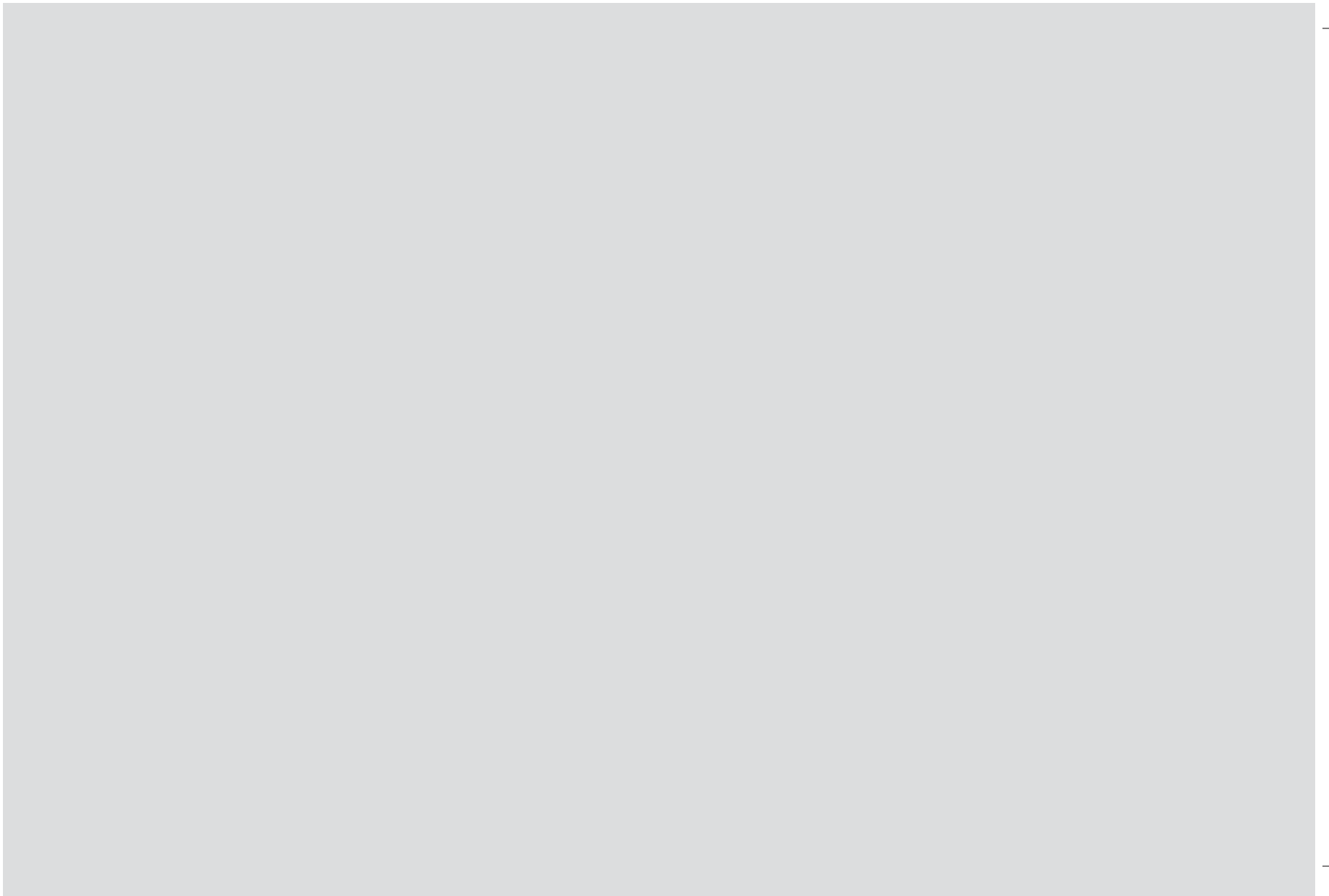
# KICHLER®

## BRIDGE POINT FAN LIGHT KIT



Product images may vary slightly from actual product.

## INSTRUCTION MANUAL



**"CAUTION-RISK OF FIRE"  
CONSULT A QUALIFIED ELECTRICIAN TO ENSURE  
CORRECT BRANCH CIRCUIT CONDUCTOR.**

**Special Notice:** This appliance is equipped with a "Wattage Limiting Device" required by the United States Department of Energy. The device has been installed at the factory and can not be removed.

Installing Lamps in excess of 190 total watts will disable the units light fixture. If this should happen, you will need to reset the lighting fixture by turning the power off to the ceiling fan and/or light fixture, reinstalling lamps totaling less than 190 watts and then turning the power back on.

**SPECIAL NOTICE:** This light fixture is design for the Bridge Point fan model ONLY.

## SAFETY RULES

### WARNING! RISK OF ELECTRIC SHOCK

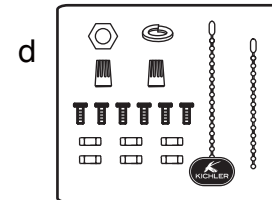
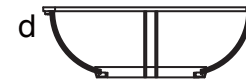
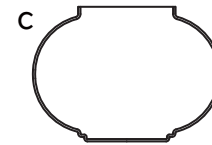
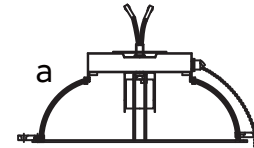
All electrical connections must be made in accordance with local codes, ordinances, or national codes. If you are unfamiliar with installing electrical wiring, secure the services of a qualified electrician. Before starting this installation, disconnect the power by turning off the circuit breaker at your main panel or removing the fuse at the fuse block. Turning the power off using the ceiling fan switch (speed control on/off) is not sufficient to prevent electrical shock.

**NOTE:** The important safeguards and instructions appearing in this manual are not meant to cover all possible conditions and situations that may occur. It must be understood that common sense, caution and care are factors which cannot be built into any product. These factors must be supplied by the person (s) caring for and operating the unit.

## PACKAGE CONTENTS

Unpack your fan and check the contents. You should have the following items:

- a. Light fixture
- b. 1, 7 watt E26 LED lamp
- c. Glass shade
- d. Glass frame
- e. Part bag contents:
  - Nut
  - Spring Washer
  - Glass frame set screws (6)
  - Glass frame nuts (6)
  - Wire Nuts (2)
  - Pull chain and fob
  - Pull chain



# INSTALLING THE LIGHT KIT

**REMEMBER** to turn off the power before you begin.

Step 1. Remove and discard the center plug from the switch housing. Attach the light kit to the switch housing by feeding the light kit wires (black and white) through the hole in the center of the switch housing, then screw the light kit onto the switch housing.

Attach the lock washer & nut on the inside of the switch housing making sure the light kit is secure to prevent movement after installation. (Fig. 1)

Step 2. Locate the white and blue wires inside the switch housing labeled FOR LIGHT.

Step 3. Attach the wires from the light kit to the wires inside the switch housing by pushing the polarized connections together.

- White wire to White wire
- Blue wire to Black wire

Step 4. Raise and hold the light kit assembly close to the mounting plate of the ceiling fan. Push the square wire connectors together. (Fig. 2)

**NOTE:** The square connectors are color coded. Match the color coded sides of each plug and push. They will attach ONLY when matched correctly.

Step 5. Carefully push all wires back into the switch housing, then install the light kit assembly onto the mounting plate with 3 screws provided. Be sure to tighten all screws. (Fig. 2)

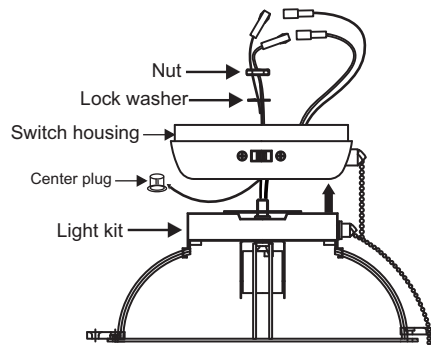


Fig. 1

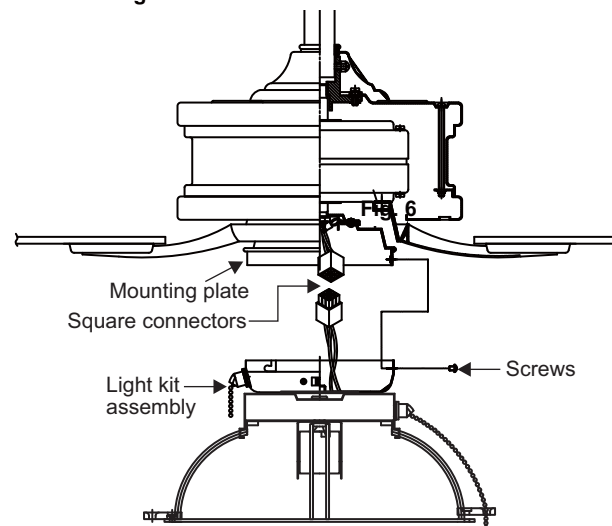


Fig. 2

## INSTALLING THE LAMP & GLASS SHADE

1. Install the 7 watt E26 LED lamp (provided) to the fixture socket.
2. Place the glass shade on the top over the glass frame and secure tightly the glass frame with glass shade to the light kit assembly by use the six set screws and nuts. (Fig. 3)
3. Feed the pull chain from the light kit assembly through the eyelet in the chains holder.
4. Your installation is now complete. Restore electrical power and enjoy your new ceiling fan light fixture.

Turn the power on and check the operation of your light fixture.

The pull chain controls the light On-Off.

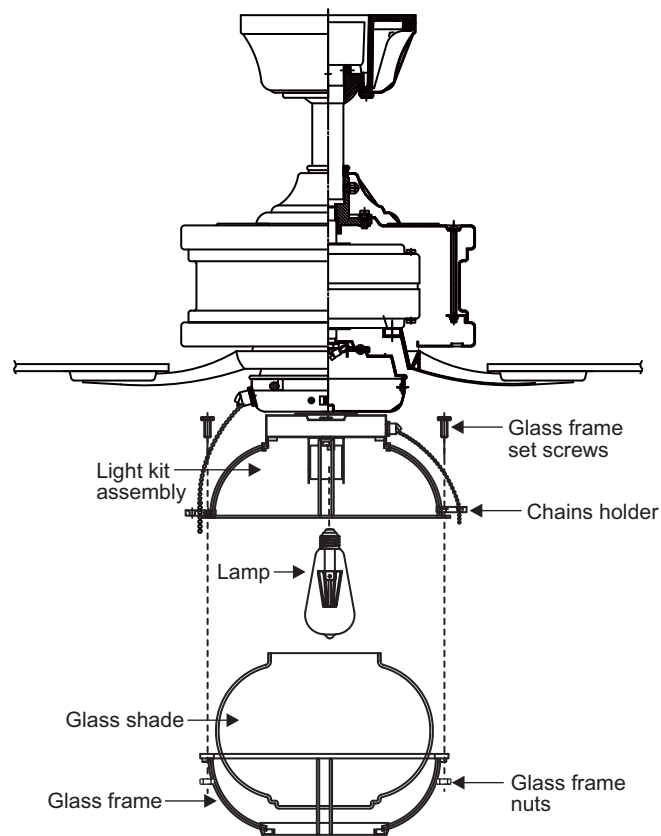


Fig. 3

# KICHLER®

[www.kichler.com](http://www.kichler.com)

**KICHLER® LIGHTING**

**7711 EAST PLEASANT VALLEY ROAD P.O. BOX 318010**

**CLEVELAND, OHIO 44131-8010**

**CUSTOMER SERVICE 866.558.5706**

**8:30 AM TO 5:00 PM EST, MONDAY - FRIDAY**