

Art.-Nr. 300.0894.xx 1000 re  
300.0895.xx 1000 li

# Magic Corner Standard

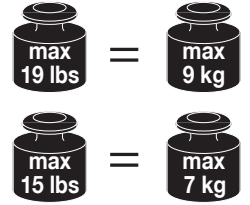
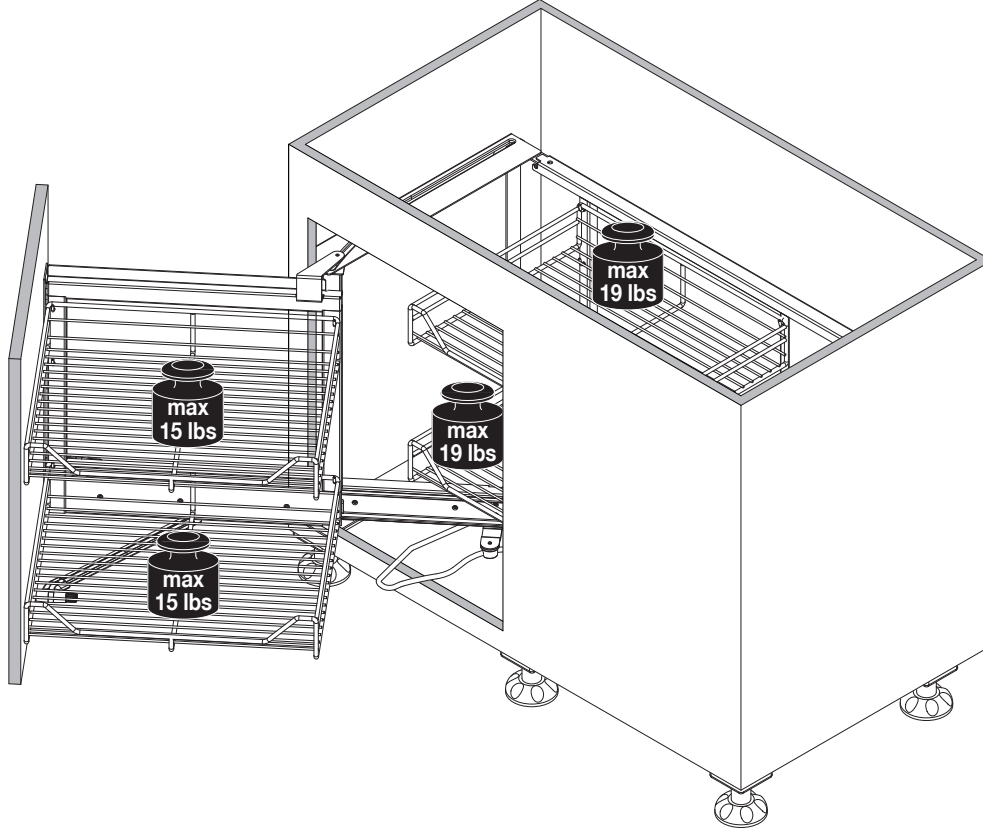
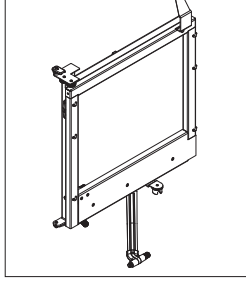
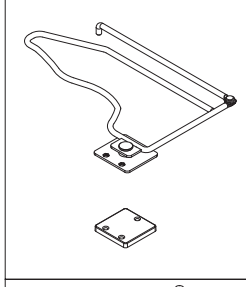
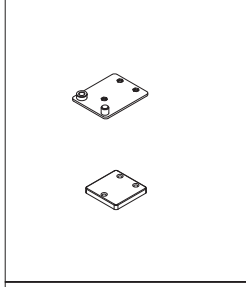
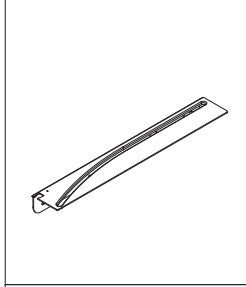
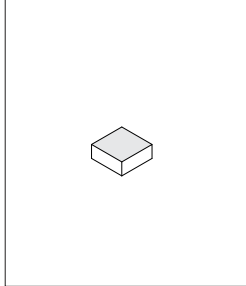
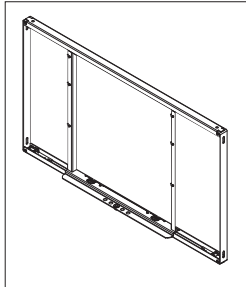


Montageanleitung  
Assembly instruction  
Instruction de montage

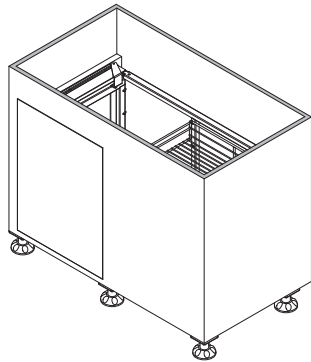
Vollauszug  
Full-extension pull-out  
Extension complète

6295 Mosen  
Switzerland  
T +41 41 919 94 00  
www.peka-system.ch

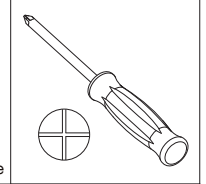
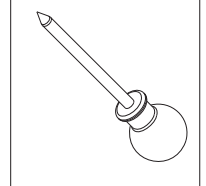
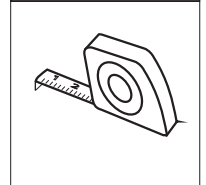
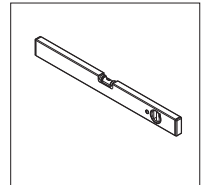
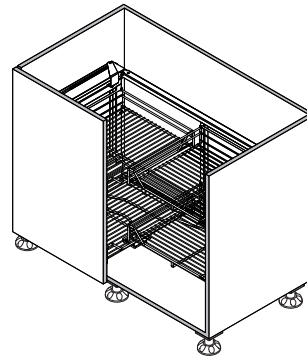
## Frame overlay



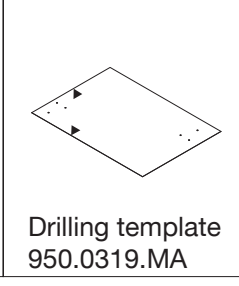
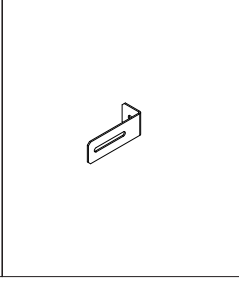
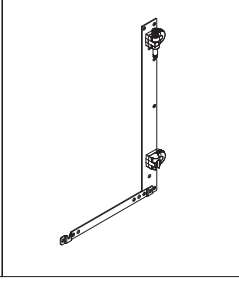
## Frame inset



## Frameless



This mounting instruction is for a left swivel pull out.  
The right swivel pull out instruction is mirror-inverted.



Drilling template  
950.0319.MA

Dimensions in mm  
Inches are approximate

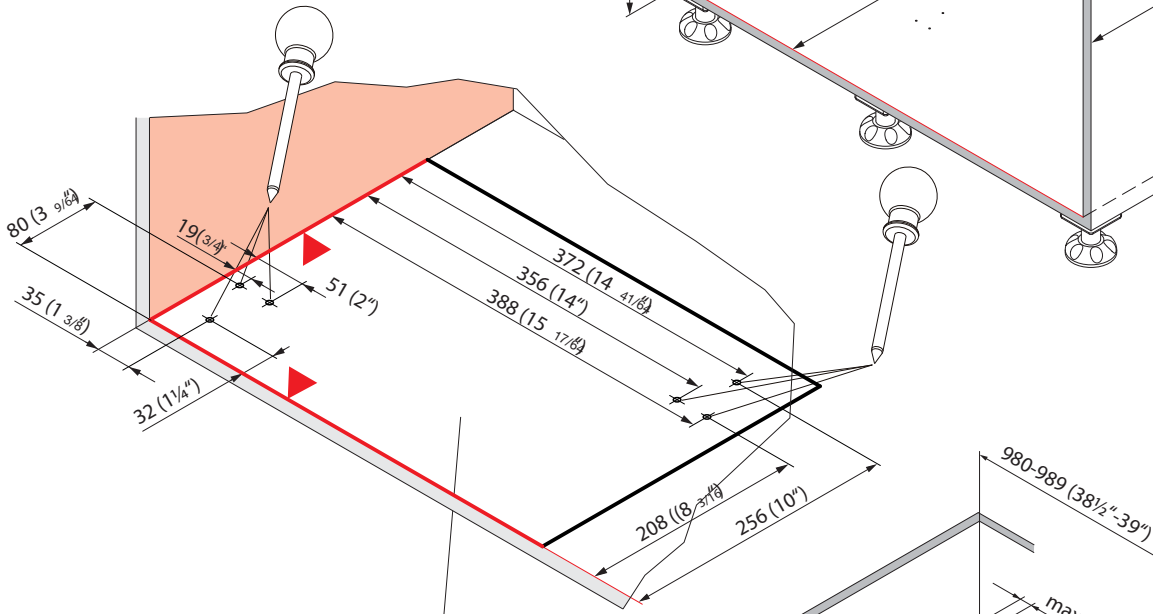
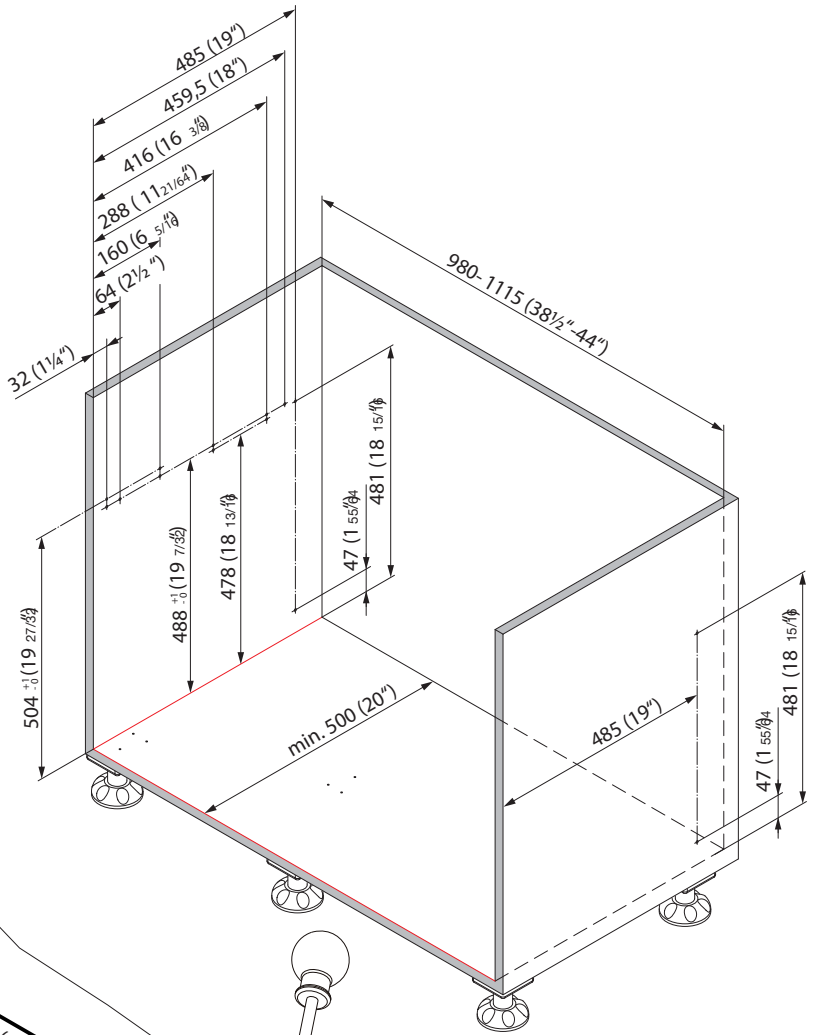
950.0363.MA	Rev. a
28.01.2009 hrm	23.11.2009 hrm





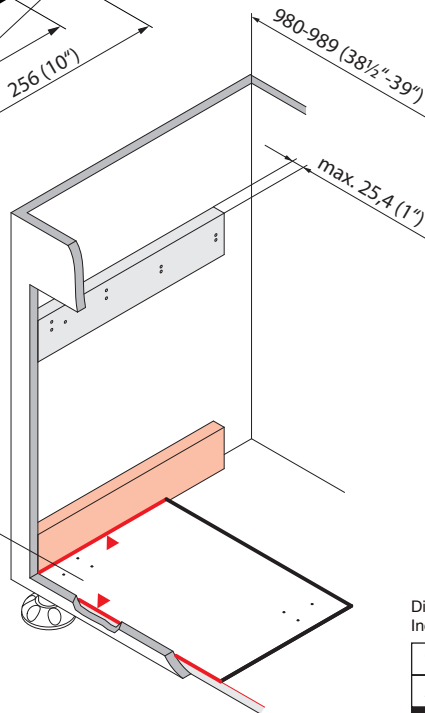
Before starting the installation make sure that the cabinet is level and secured to the wall

# Frameless

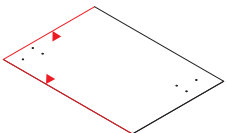


Drilling template

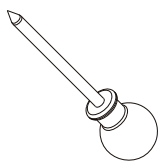
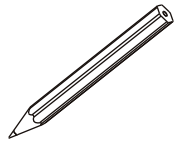
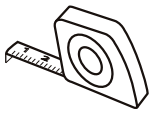
# Frame inset



Frameless  
Frame inset  
Frame overlay



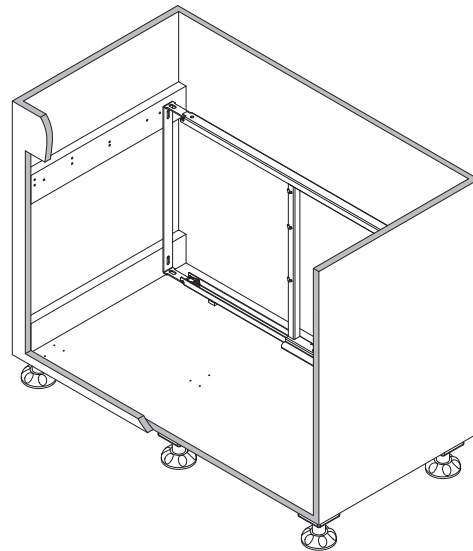
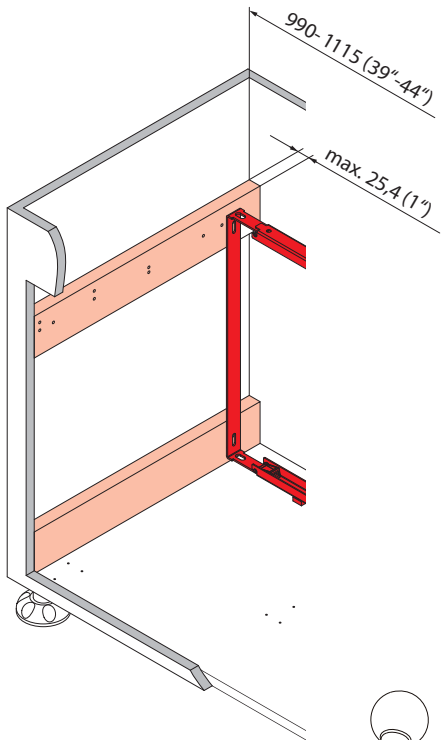
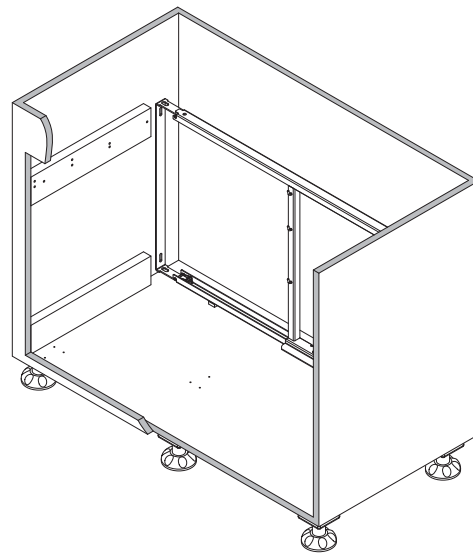
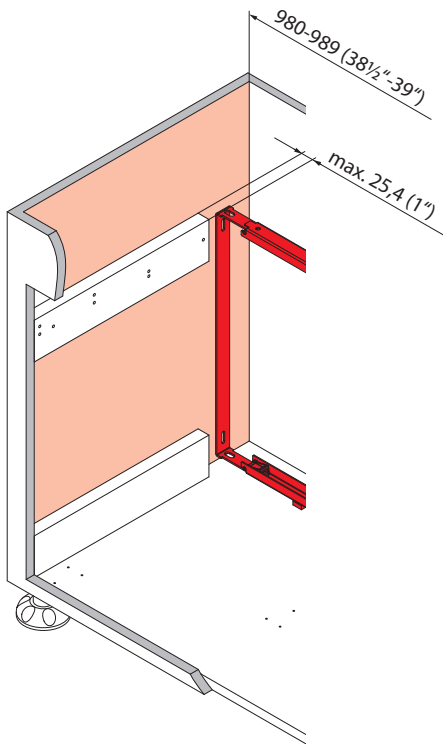
Drilling template



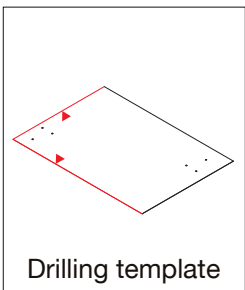
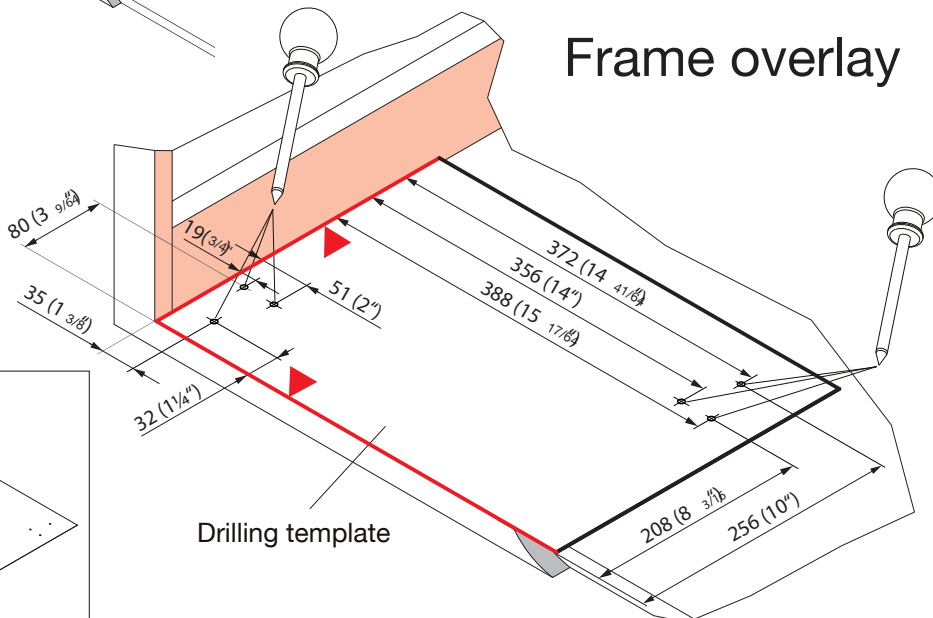
Dimensions in mm  
Inches are approximate

950.0363.MA	Rev. a
28.01.2009 hrm	23.11.2009 hrm

# Spacer for Frame inset Spacer for Frame overlay



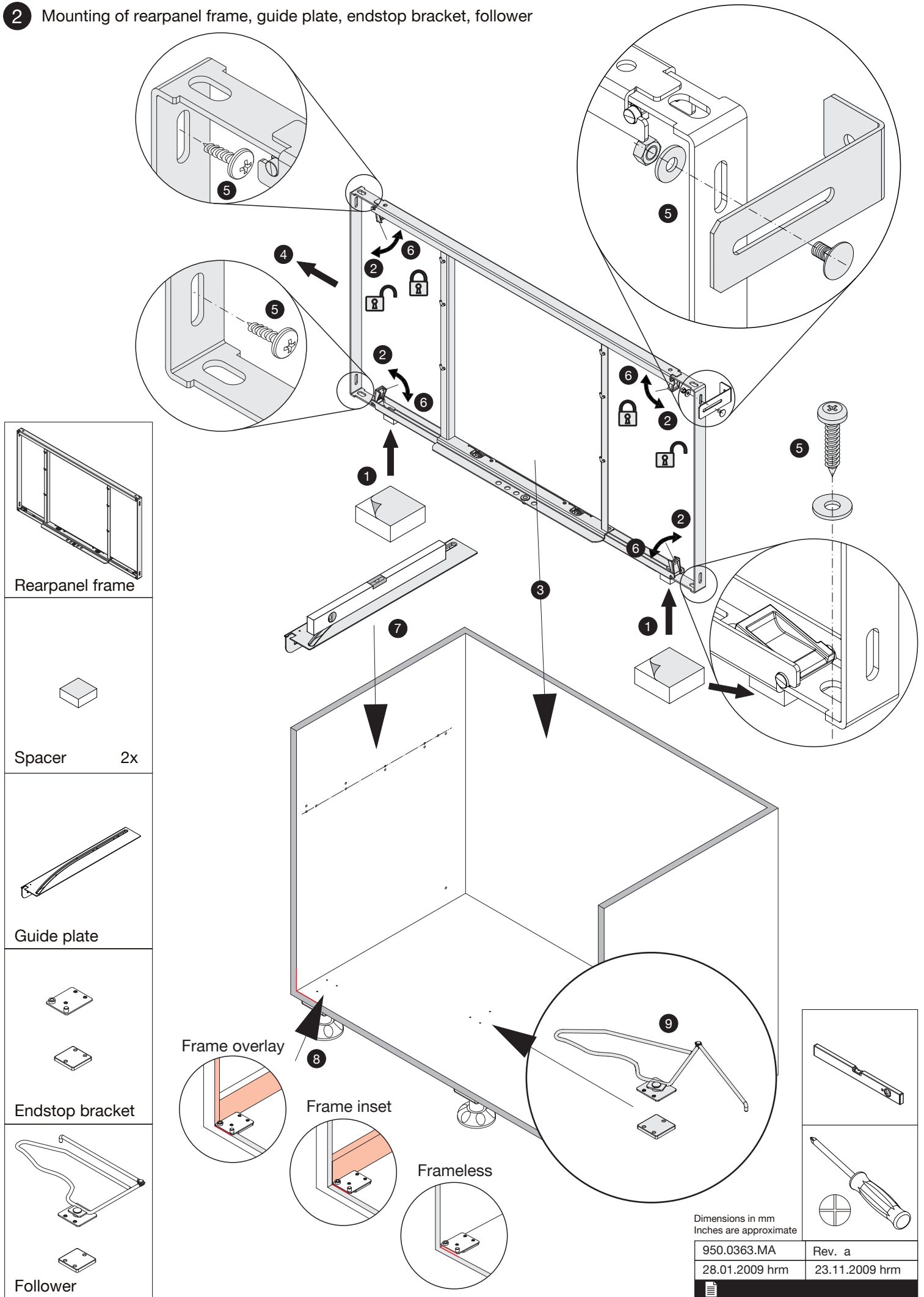
## Frame overlay



Dimensions in mm  
Inches are approximate

950.0363.MA	Rev. a
28.01.2009 hrm	23.11.2009 hrm

**2** Mounting of rearpanel frame, guide plate, endstop bracket, follower



Rearpanel frame

Spacer 2x

Guide plate

Endstop bracket

Follower

Frame overlay

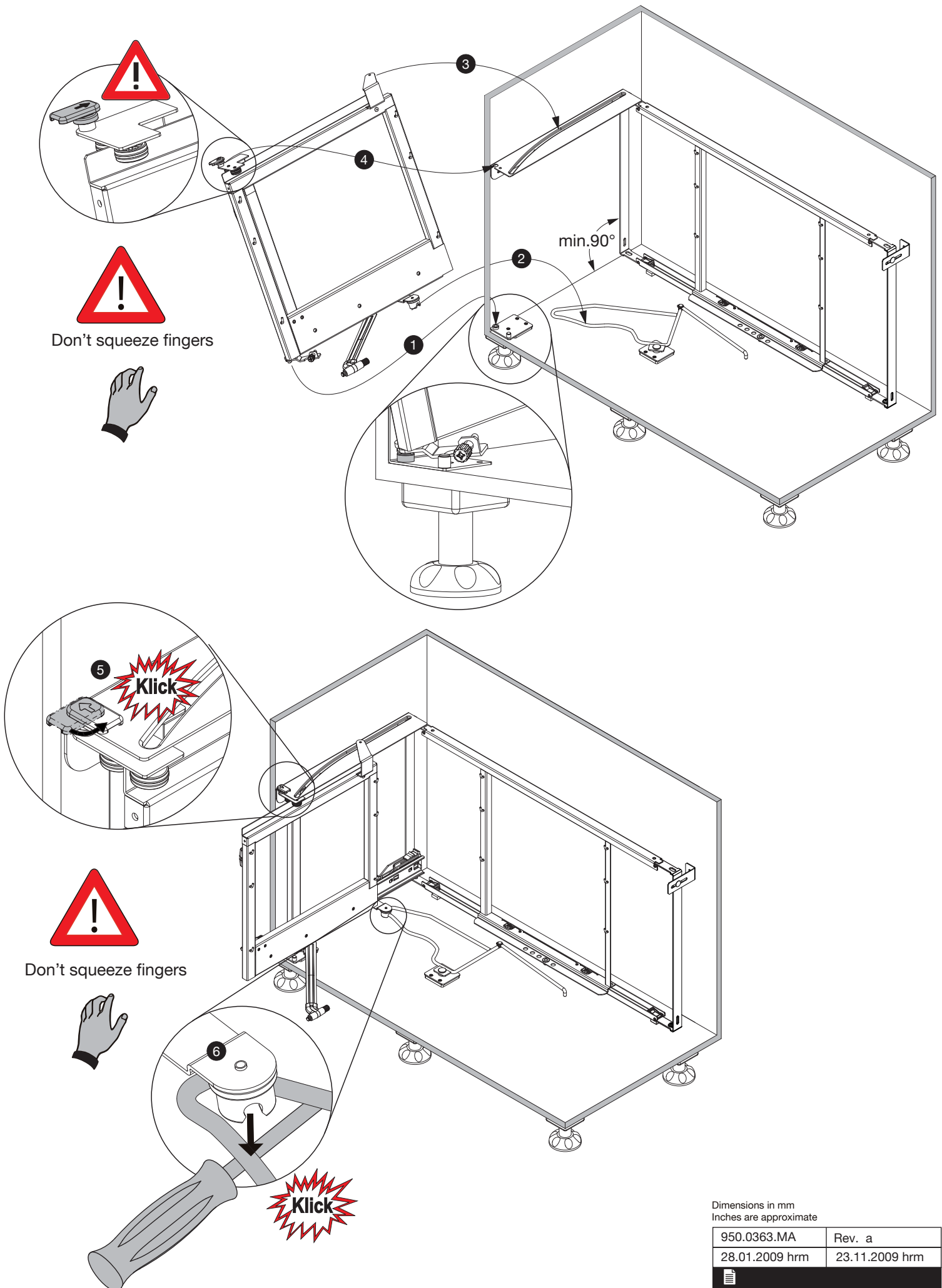
Frame inset

Frameless

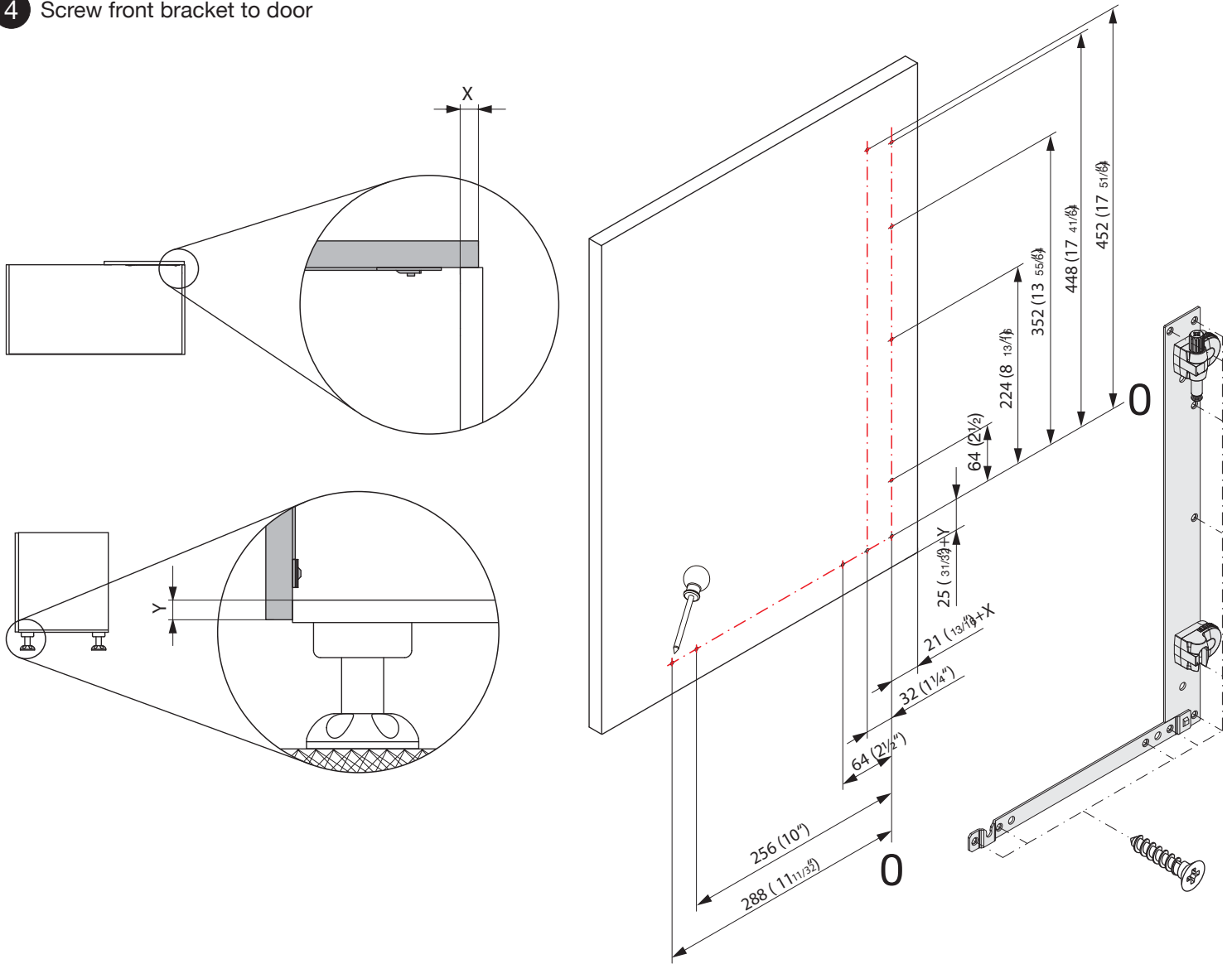
Dimensions in mm  
Inches are approximate

950.0363.MA	Rev. a
28.01.2009 hrm	23.11.2009 hrm

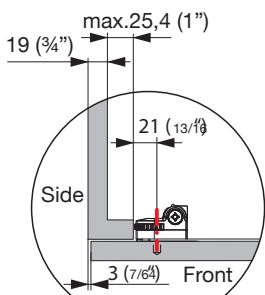
### 3 Install pull-out frame



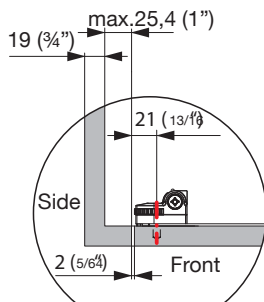
4 Screw front bracket to door



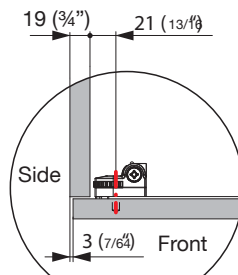
View Side



Frame overlay

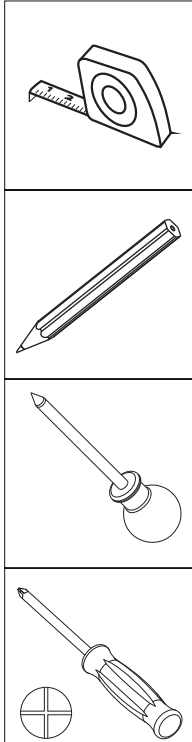
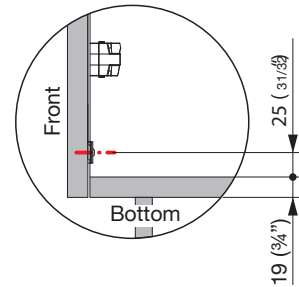
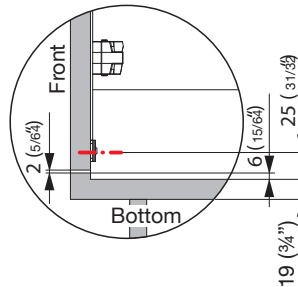
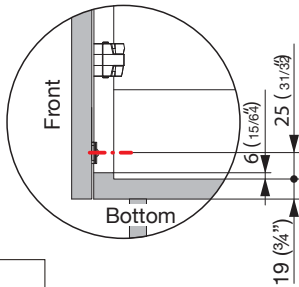


Frame inset



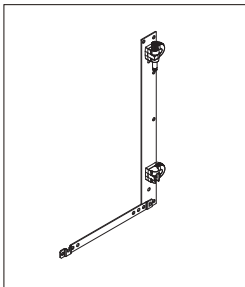
Frameless

View Bottom

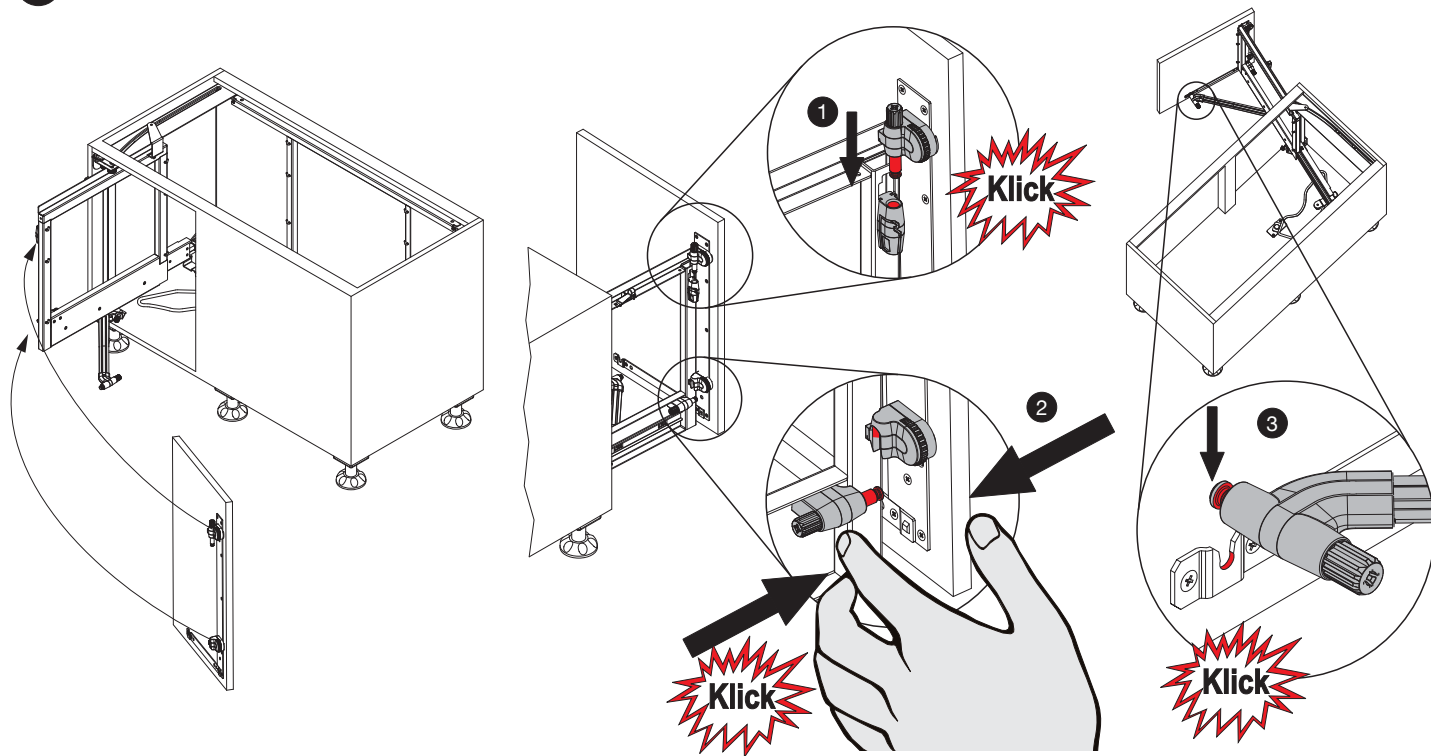


Dimensions in mm  
Inches are approximate

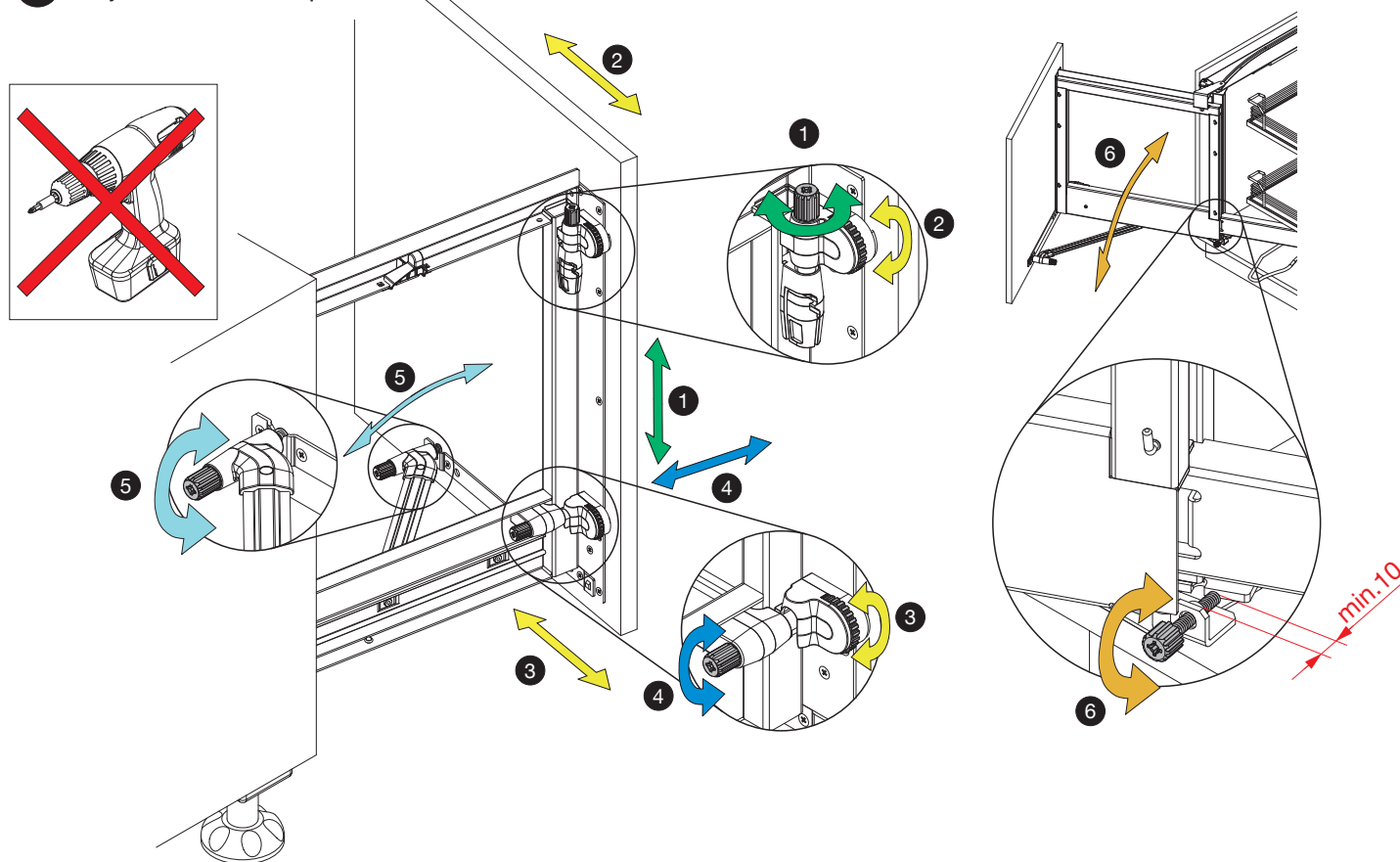
950.0363.MA	Rev. a
28.01.2009 hrm	23.11.2009 hrm



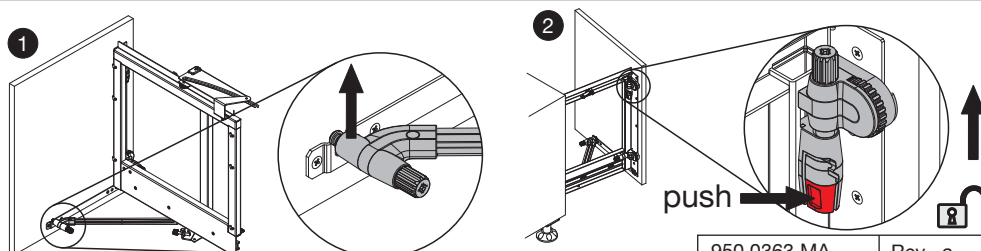
**5** Replacement and adjustment of front panel.



**6** Adjustment of front panel.



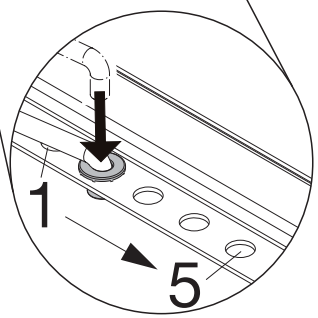
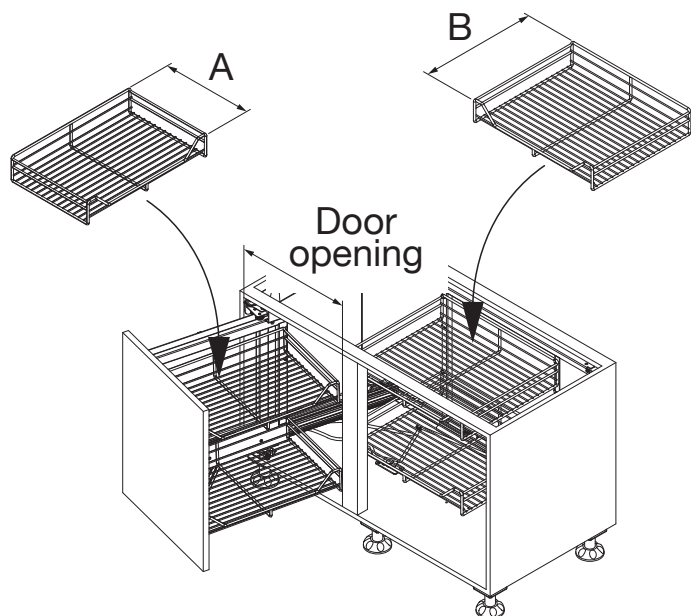
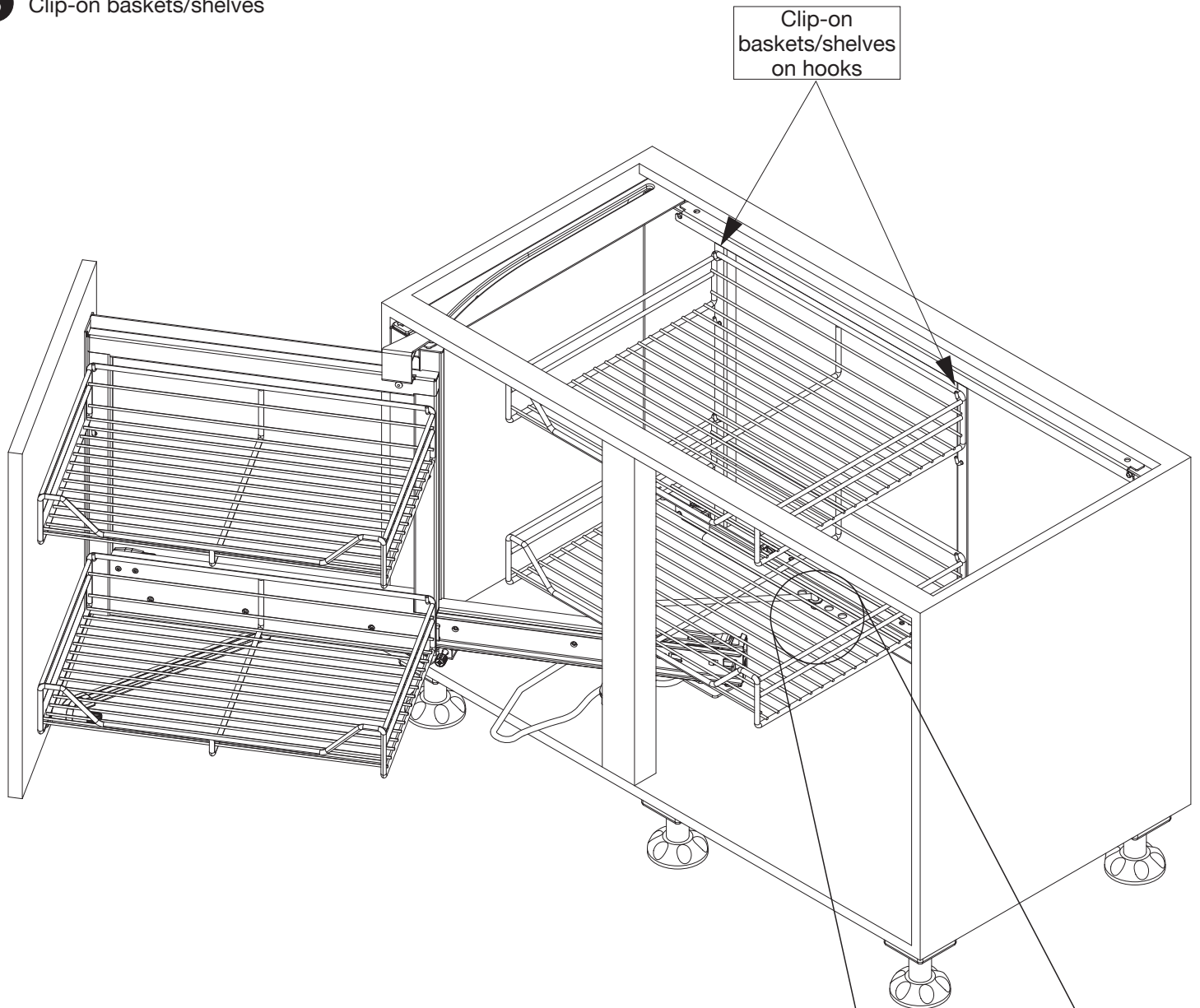
**7** Dismounting of front panel.



950.0363.MA	Rev. a
28.01.2009 hrm	23.11.2009 hrm

Dimensions in mm  
Inches are approximate

**8** Clip-on baskets/shelves



Type	Door opening	Baskets/shelves dimension A/B	left / right
1000	406	295/390	2/4
1000	440	340/390	2/4
1000	490	390/390	1/5
1100	490	390/390	1/5

Dimensions in mm  
Inches are approximate

950.0363.MA	Rev. a
28.01.2009 hrm	23.11.2009 hrm

