

MODEL: 60502

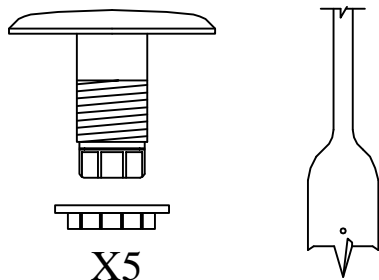
ASSEMBLY INSTRUCTIONS

READ AND SAVE THESE INSTRUCTIONS

Assembly Time: 10 Minutes.

UNPACK YOUR SOLAR LIGHTS

You should have received the following parts:
(5) solar deck and path lights, and a spade bit.

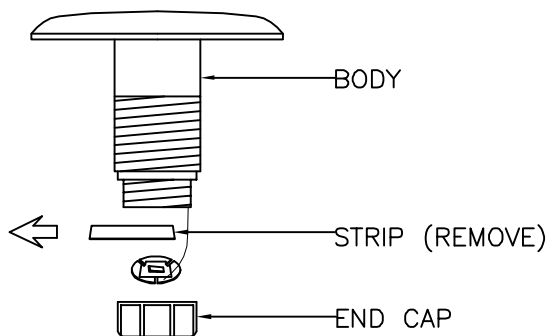


TOOLS

A drill will be required for deck or hard surface installation.

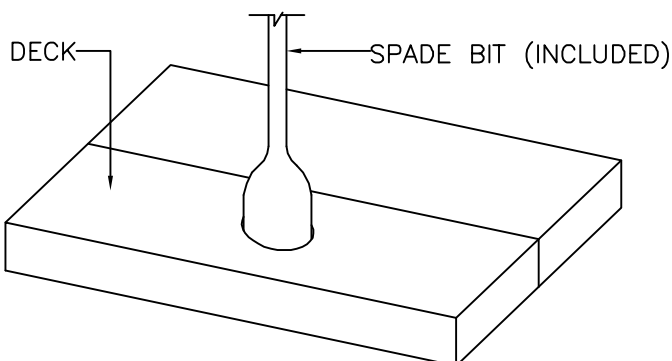
ACTIVATING THE BATTERY

Unscrew the end cap from the light body, remove the protective strip, then reassemble the end cap to the body.

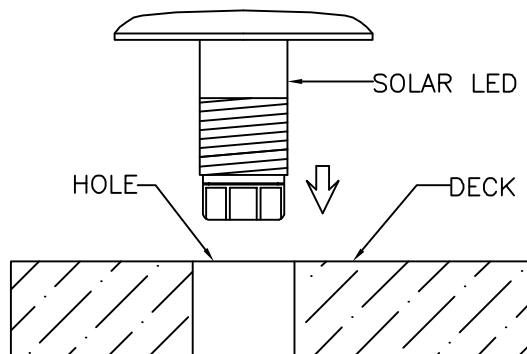


DECK INSTALLATION

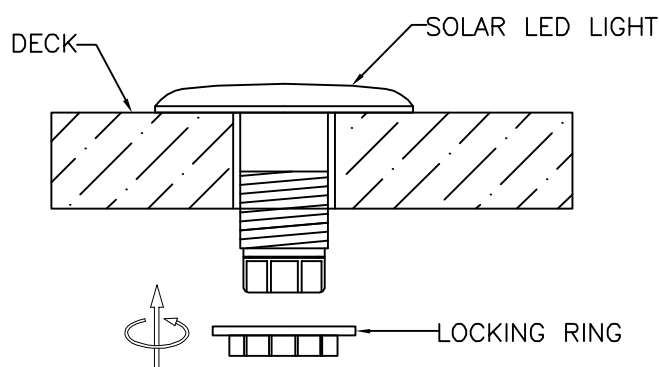
1.) Using your drill with the included spade bit, carefully drill through your deck.



2.) Place the Solar LED into the hole.



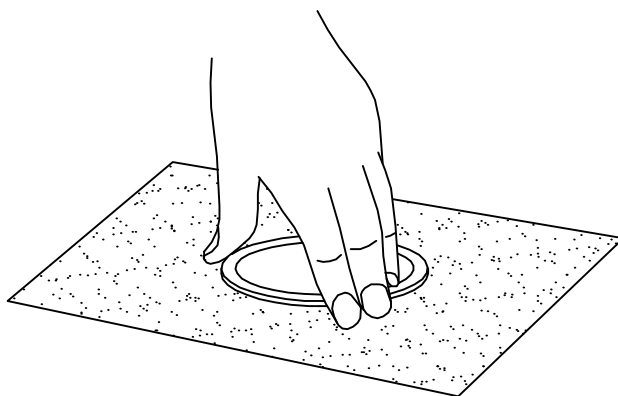
3.) Secure the Solar LED Light to the deck using the locking ring.



GROUND INSTALLATION

Bury the Solar LED light body in grass, mulch, or gravel.

TIP: Use your drill and the included spade bit for greater precision.



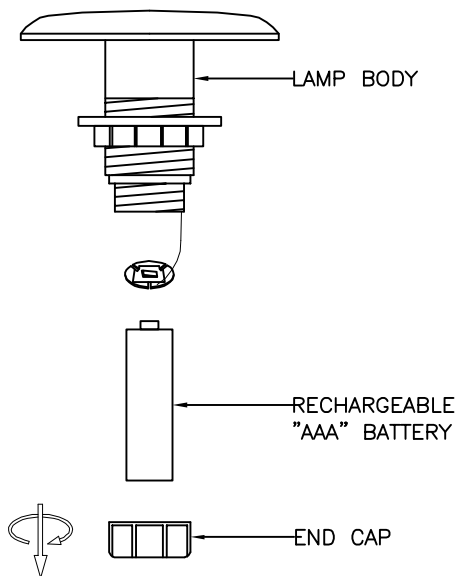
MODEL: 60502

ASSEMBLY INSTRUCTIONS

READ AND SAVE THESE INSTRUCTIONS

BATTERY REPLACEMENT:

1.) Unscrew end cap from lamp body, replace the old battery with a new rechargeable "AAA" battery.



2.) Screw end cap to lamp body to activate.

