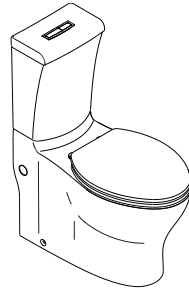


## INSTALLATION INSTRUCTIONS



**P70310**

## INSTALLATION INSTRUCTIONS

### THANK YOU FOR CHOOSING KALLISTA

We appreciate your commitment to KALLISTA quality products. Please take a moment to review this manual before you install your KALLISTA product. If you encounter any installation or performance problems, please do not hesitate to contact us at the phone number listed at the bottom of the page.

### IMPORTANT INFORMATION

**⚠ CAUTION: Risk of personal injury.** If the new toilet is not installed immediately, temporarily place a rag in the closet flange. Hazardous gases may leak from the flange opening if it is not blocked.

**⚠ CAUTION: Risk of product damage.** The tank-to-bowl connection bolts must be securely tightened. Use a long screwdriver to tighten them. A short screwdriver may not be sufficient due to the confined space in the tank.

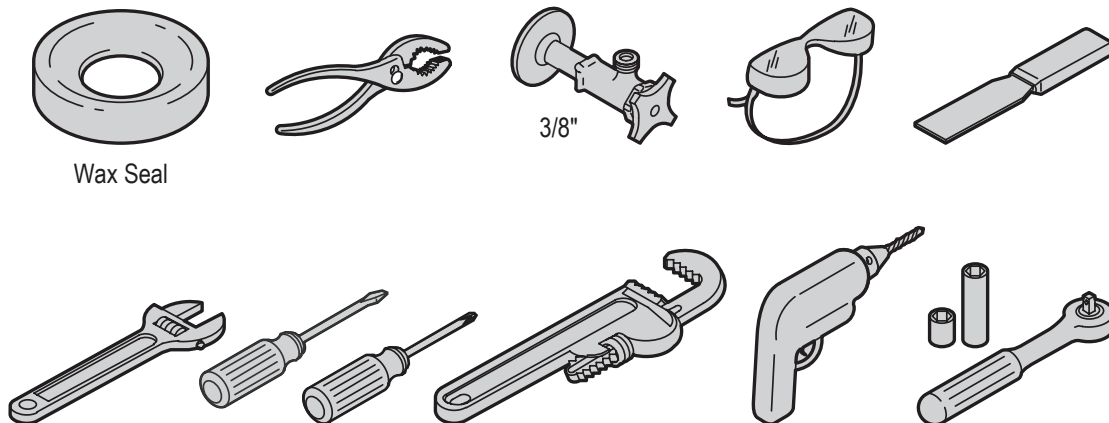
**NOTE:** If a baseboard causes the rough-in to be less than 12" (305 mm), it must be cut or removed to allow space for the toilet.

**IMPORTANT!** Do not lift or rock the bowl after placement. If you break the watertight seal, you must install a new wax seal.

**NOTE:** The toilet pictured in the installation steps may differ from the model being installed.

- Observe all local plumbing and building codes.
- KALLISTA reserves the right to make revisions in the design of products without notice, as specified in the Price Book.

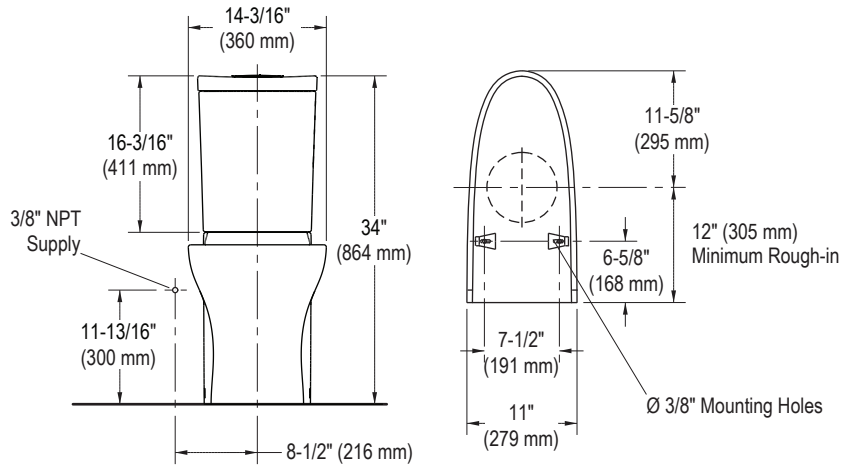
### TOOLS



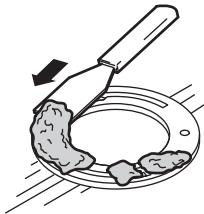
## INSTALLATION INSTRUCTIONS

### INSTALLATION

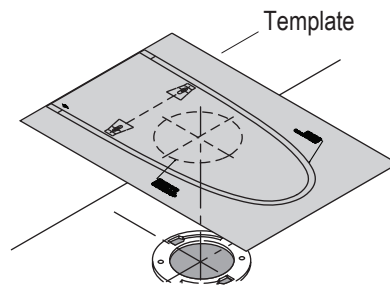
- 1.** Install or relocate the supply and outlet as necessary to conform to the roughing-in dimensions.



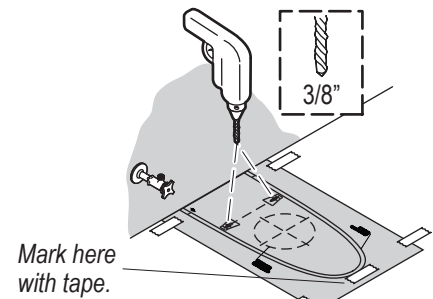
- 2.** If replacing a toilet, remove the old wax.



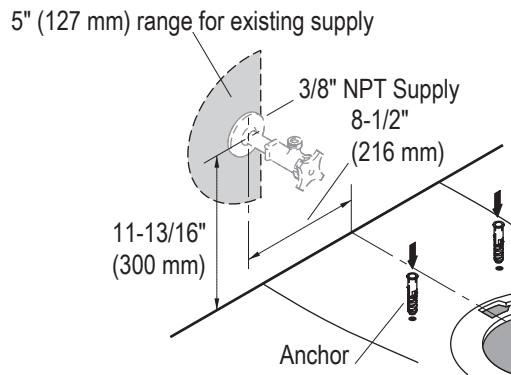
- 3.**



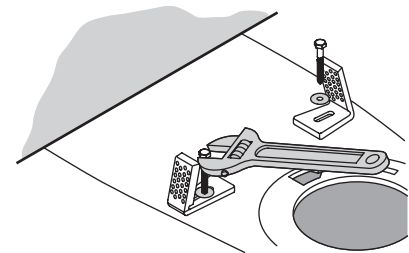
- 4.** Tape in place and drill holes.



- 5.**



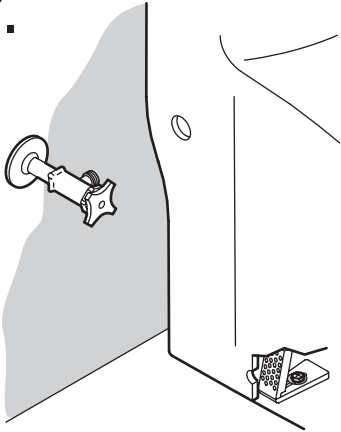
- 6.** Position brackets as shown on the template and install.



## INSTALLATION INSTRUCTIONS

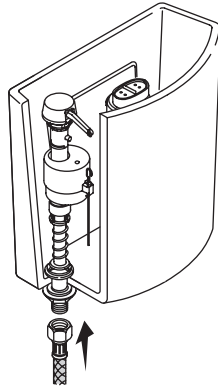
### INSTALLATION

7.

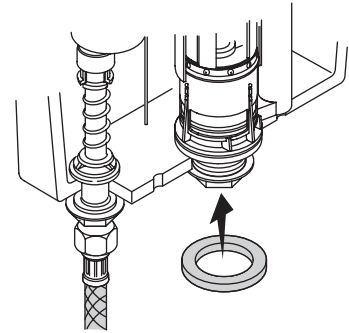


Confirm correct alignment between toilet hole and bracket.

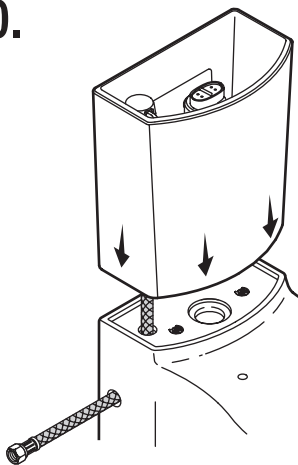
8.



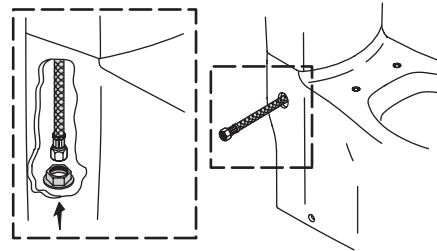
9.



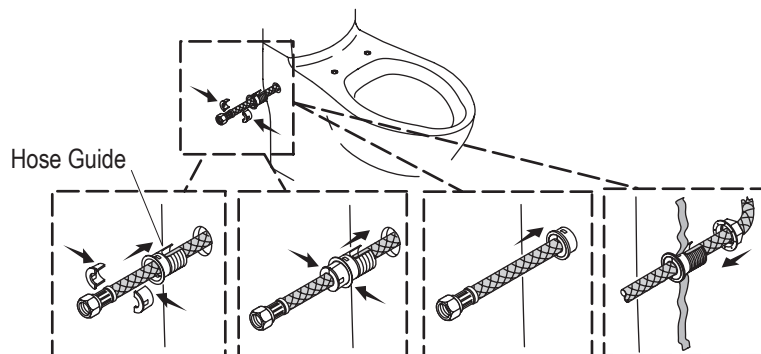
10.



11. Slide nut onto the supply hose, with flared end last and run hose through toilet wall.



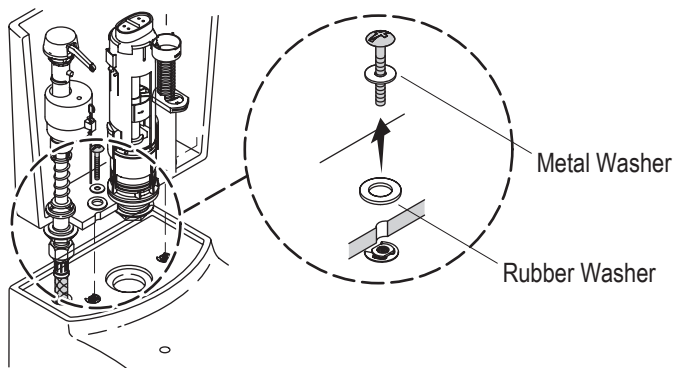
12.



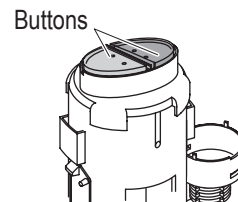
## INSTALLATION INSTRUCTIONS

### INSTALLATION

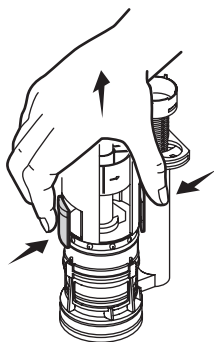
**13.**



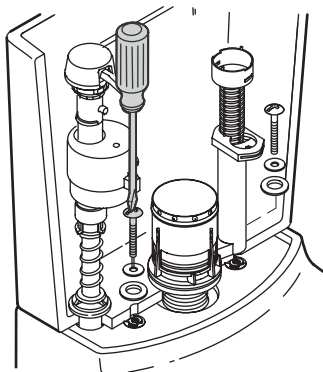
**14.** Note the position of the colored buttons for reinstallation.



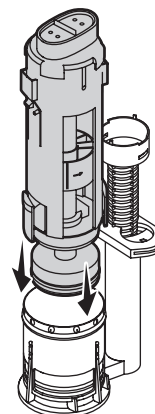
**15.** Squeeze the tabs and pull straight up on the canister.



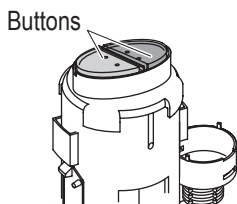
**16.** Thread the bolts into the bowl through the bolt holes in the bottom of the tank. Tighten the bolts using a screwdriver. **Do not overtighten.**



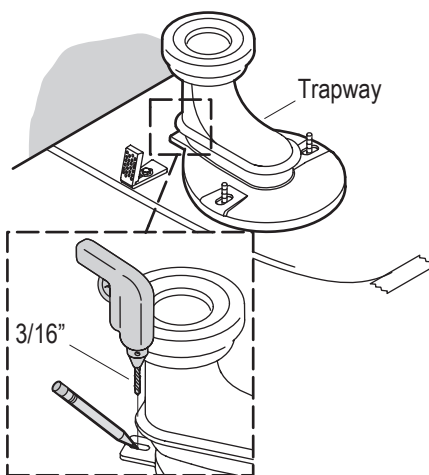
**17.** Reinstall the canister so it snaps into place.



**18.** Rotate the canister so that the colored buttons are in their original positions.

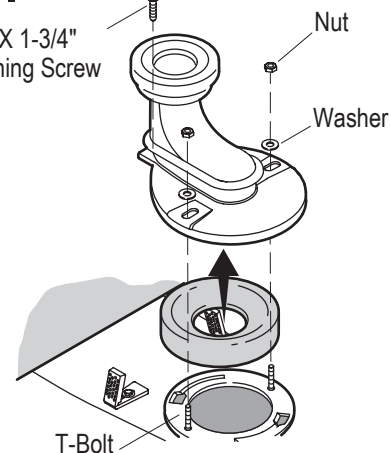


**19.** Mark hole location, drill 3/16" pilot hole.



**20.**

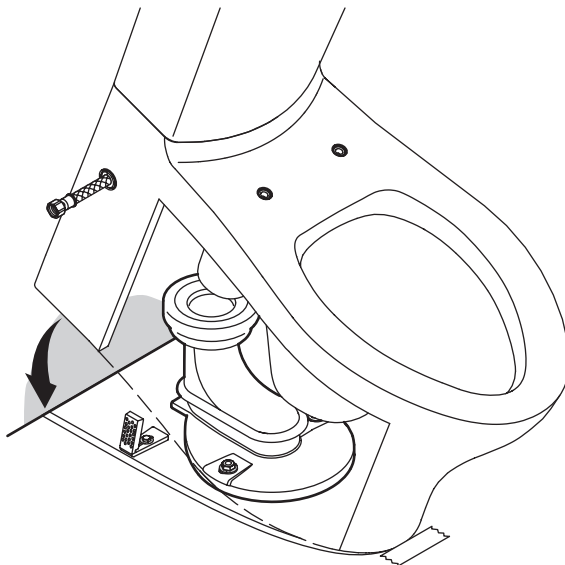
5/16" X 1-3/4"  
Retaining Screw



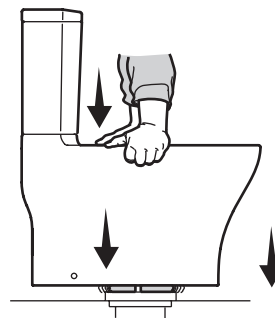
## INSTALLATION INSTRUCTIONS

### INSTALLATION

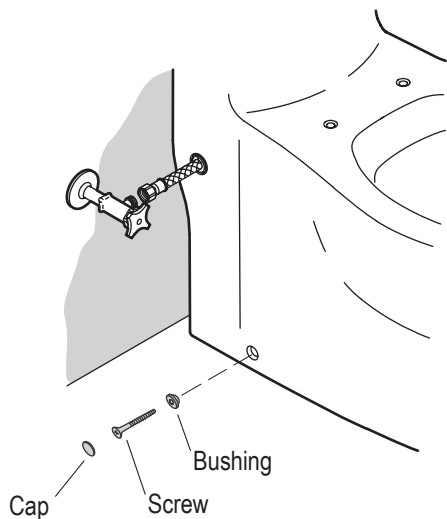
- 21.** Carefully tilt backward until trapway and outlet touch.



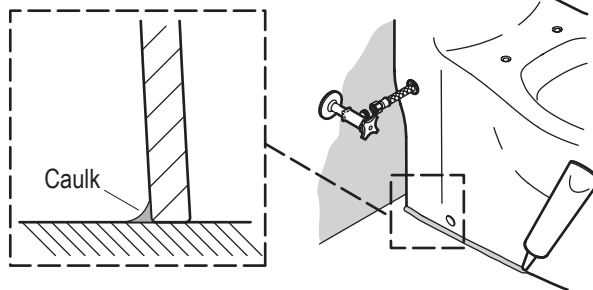
- 22.** Apply weight evenly. Do not move after placement! Watertight seal may be broken!



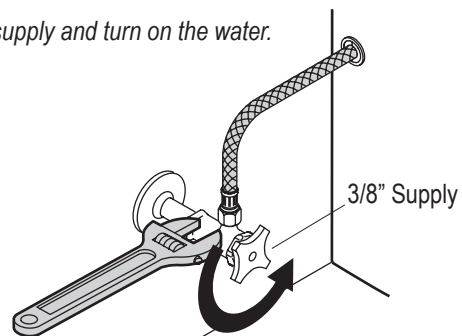
- 23.** Carefully thread the screws into the brackets, until toilet is secure. Alternately tighten left and right sides to prevent pulling the toilet off center. Install cap to cover screw. Do not overtighten.



- 24.** Caulk around base.



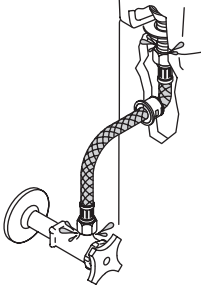
- 25.** Connect supply and turn on the water.



## INSTALLATION INSTRUCTIONS

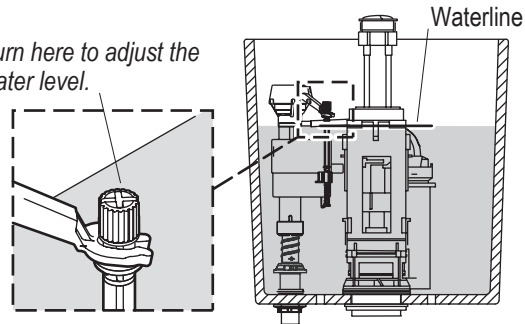
### INSTALLATION

- 26.** Flush several times and check for leaks.

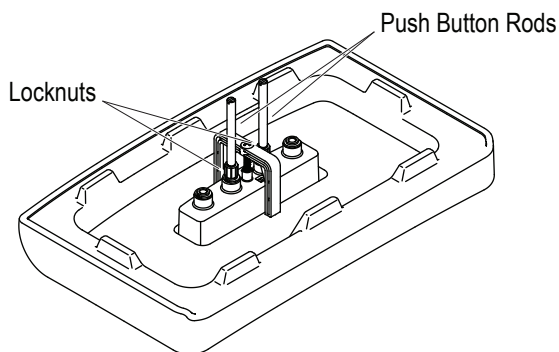


- 27.**

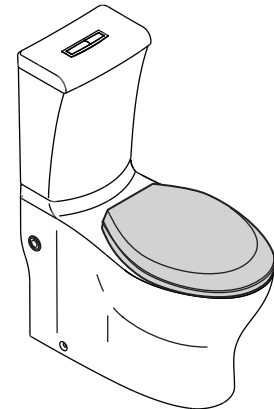
Turn here to adjust the water level.



- 28.** Install the tank lid and the seat. Flush the toilet and check for proper flush. If necessary, loosen the lock nuts and adjust the flush rod lengths as described in the troubleshooting section.



- 29.** Periodically check for leaks for several days following the installation.



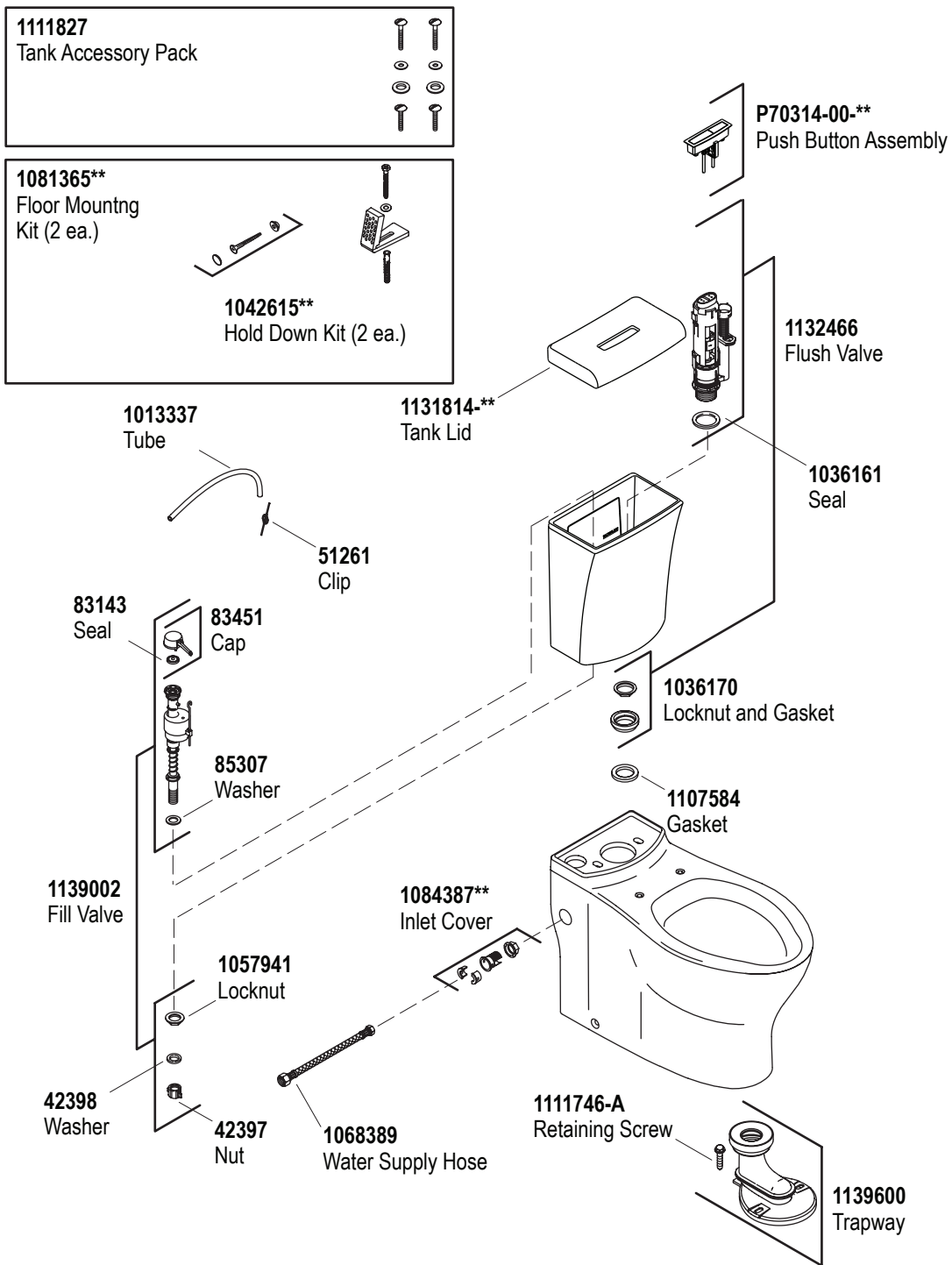
## INSTALLATION INSTRUCTIONS

TROUBLESHOOTING GUIDE	
SYMPTOMS	Recommended Action
1. Poor flush.	<ul style="list-style-type: none"> <li>A. Adjust the tank water level to match the waterline.</li> <li>B. Fully open the water supply shut-off valve.</li> <li>C. Clear obstructions from the trapway, jet, or bowl rim holes.</li> <li>D. Clear obstructions in the soil pipe or vent pipe.</li> <li>E. Remove the tank lid, loosen the locknuts on the push button assembly and unscrew the push button rods slightly to lengthen them. Replace the tank lid and flush. Repeat adjustment until the flush is acceptable, tighten the locknut.</li> </ul>
2. No flush.	<ul style="list-style-type: none"> <li>A. Make sure the push button rods are in place. Adjust as needed, following the directions in step E. above.</li> </ul>
3. The fill valve turns on/off by itself without the toilet being flushed, or it runs allowing water to enter the tank.	<ul style="list-style-type: none"> <li>A. Remove the tank lid, loosen the locknuts on the push button assembly and screw in the push button rods slightly to shorten them. Replace the tank lid and flush. Repeat adjustment until the flush is acceptable, tighten the locknut.</li> <li>B. Clean or replace the flush valve seal if it is worn, dirty, or misaligned with the valve seat or flush valve seat is damaged.</li> <li>C. Remove the tank and tighten the flush valve nut if flush valve gasket is leaking. Do not overtighten. If leakage continues replace the gasket.</li> <li>D. Clean the fill valve seat/seat washer of debris or replace the piston/seat washer assembly.</li> <li>E. Replace the fill valve if the valve float sinks.</li> <li>F. Adjust the tank water level if it is too high.</li> </ul>
4. Long tank fill cycle.	<ul style="list-style-type: none"> <li>A. Fully open the water supply shut-off valve.</li> <li>B. Clean the valve inlet, valve head, or supply line. Flush the lines.</li> </ul>
5. Noisy tank fill cycle.	<ul style="list-style-type: none"> <li>A. Partially close the water supply shut-off valve if the water pressure to the toilet is too high. Check the toilet performance following any such adjustment.</li> <li>B. Remove dirt or obstructions from the valve head. Flush the lines.</li> </ul>



## INSTALLATION INSTRUCTIONS

### SERVICE PARTS



**\*\*Finish/color code must be specified when ordering.**