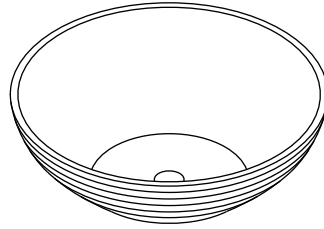


### INSTALLATION INSTRUCTIONS

---



P72063

## INSTALLATION INSTRUCTIONS

## THANK YOU FOR CHOOSING KALLISTA

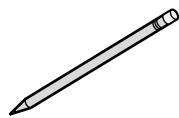
We appreciate your commitment to KALLISTA quality products. Please take a moment to review this manual before you install your KALLISTA product. If you encounter any installation or performance problems, please do not hesitate to contact us at the phone number listed at the bottom of the page.

## BEFORE YOU BEGIN

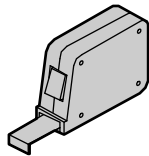
 **CAUTION: Risk of personal injury.** Large lavatories are very heavy. Get help lifting the lavatory into place.

- Prior to installation, unpack the new lavatory and inspect it for damage. Return the lavatory to its protective carton until you are ready to install it.
- Observe all local plumbing and building codes.
- Inspect the drain and supply tubing. Replace if necessary.
- Do not substitute another sealant if one is supplied with this lavatory.
- This lavatory is recommended for use with wall-mount faucets.
- The appearance of your lavatory may differ from what is shown in these instructions, however, the installation procedure is the same.
- For Wall-Mount Faucets:** Provide sufficient spout overhang into the lavatory basin.
- For Countertop Faucets:** Provide adequate spout and handle clearance when locating the faucet.
- KALLISTA reserves the right to make revisions in the design of products without notice, as specified in the Price Book.

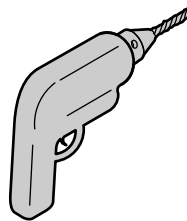
## TOOLS AND MATERIALS



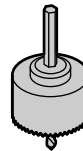
Pencil



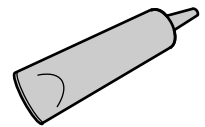
Tape Measure



Drill



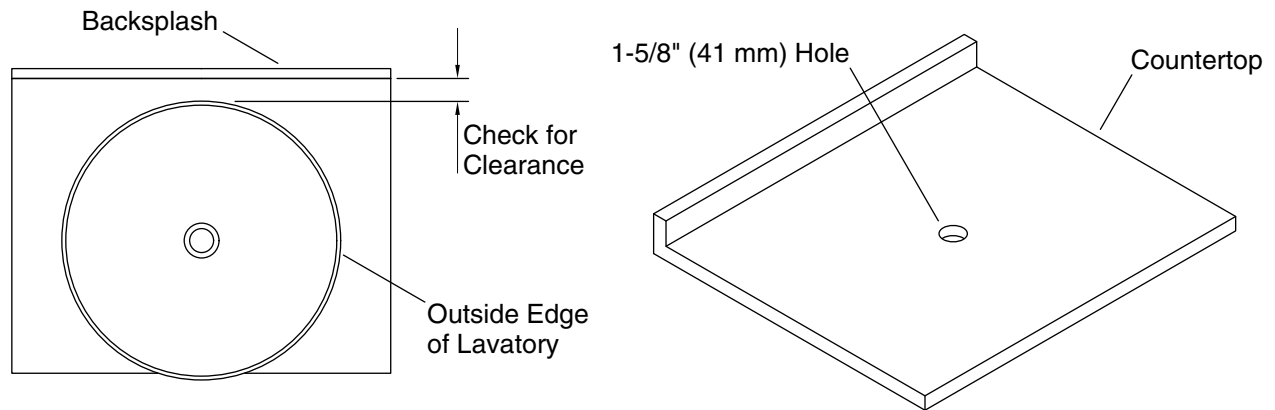
1-5/8" Hole Saw



Adhesive Sealant

## INSTALLATION INSTRUCTIONS

## 1. PREPARATION

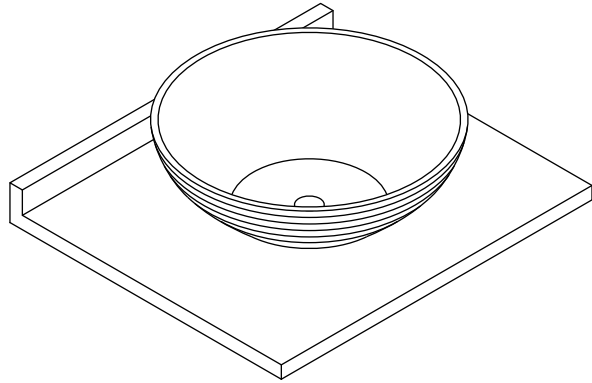
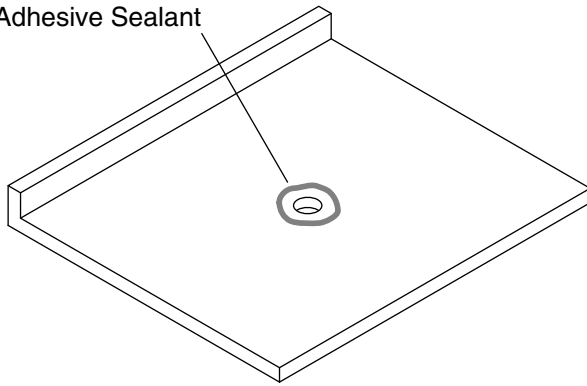


- Install the water supplies and drain piping according to the roughing-in information.
- For Wall-Mount Faucets:** Provide sufficient spout overhang into the lavatory basin.
- For Countertop Faucets:** Provide adequate spout and handle clearance when locating the faucet.
- Position the lavatory on the countertop.
- Check for adequate clearance between the backsplash and the outside edge of the lavatory.
- Refer to the faucet installation instructions for required clearance, and mark the preferred faucet hole locations using a soft lead pencil.
- Using a pencil, trace the drain opening on the countertop.
- Mark the center of the drain opening, and drill a 1-5/8" (41 mm) hole at the center mark.

## INSTALLATION INSTRUCTIONS

## 2. INSTALL THE LAVATORY

Adhesive Sealant

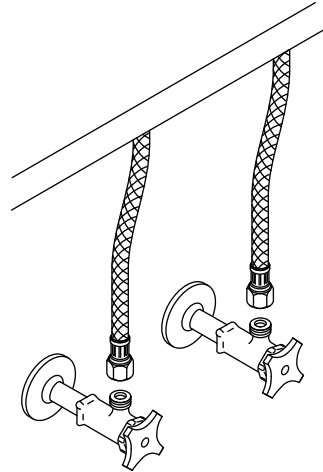
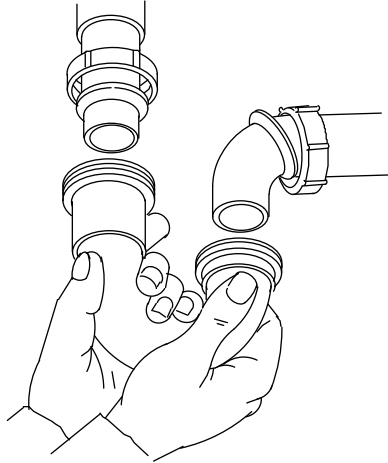


 **CAUTION: Risk of personal injury.** Large lavatories are very heavy. Get help lifting the lavatory into place.

- Temporarily set the lavatory over the countertop cutout and check for fit.
- Remove the lavatory from the countertop cutout.
- Install the faucet according to the manufacturer's instructions.
- Apply a continuous bead of adhesive sealant around the countertop cut-out hole.
- Carefully fit the lavatory into place over the cut-out hole.
- Wipe away any excess adhesive.
- Allow the adhesive sealant to cure before installing the drain.

## INSTALLATION INSTRUCTIONS

## 3. COMPLETE THE INSTALLATION



- Install and connect the drain to the lavatory according to the manufacturer's instructions.
- Connect and tighten the trap to the drain, and complete the water supply connections to the faucet according to the instructions packed with the faucet.
- Run water into the lavatory and check for leaks.
- Clean up with a non-abrasive cleaner.