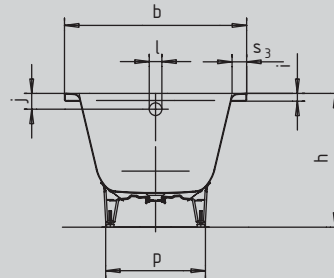
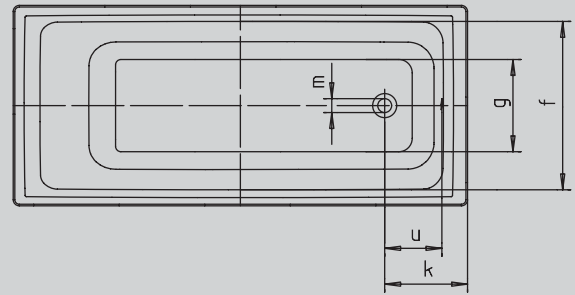
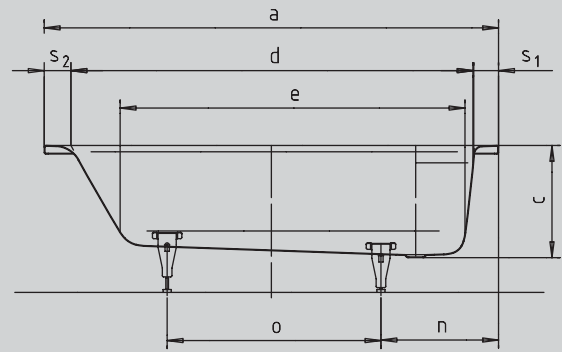


# PURO

- straightlined, purist design
- one-seater bathtub with outlet at foot end
- classic four-cornered model
- made of Kaldewei steel enamel 3.5 mm



		inch	mm	inch	mm	inch	mm	inch	mm	inch	mm
<b>Model No.</b>		<b>683</b>	<b>683</b>	<b>687</b>	<b>687</b>	<b>652</b>	<b>652</b>	<b>691</b>	<b>691</b>	<b>653</b>	<b>653</b>
External length	a	62.99	1600	66.93	1700	66.93	1700	66.93	1700	70.87	1800
External width	b	27.56	700	27.56	700	29.53	750	31.50	800	31.50	800
Depth	c	16.54	420	16.54	420	16.54	420	16.54	420	16.54	420
Internal length (top)	d	55.51	1410	59.45	1510	59.45	1510	59.45	1510	63.39	1610
<b>Internal length (bottom)</b>	<b>e</b>	<b>46.46</b>	<b>1180</b>	<b>50.39</b>	<b>1280</b>	<b>50.39</b>	<b>1280</b>	<b>50.39</b>	<b>1280</b>	<b>54.33</b>	<b>1380</b>
Internal width (top)	f	22.83	580	22.83	580	24.41	630	26.77	630	26.38	680
Internal width (bottom)	g	16.14	410	16.14	410	13.58	460	18.11	460	15.55	510
Height with feet	h	21.73-22.52	552-572			21.81-22.36	554-568			21.77-22.17	553-563
Height of rim	i	1.26	32	1.26	32	1.26	32	1.26	32	1.26	32
Distance top edge to centre of overflow hole	j	2.56	65	2.56	65	2.56	65	2.56	65	2.56	65
Distance tub edge (foot) to centre of drain hole	k	12.20	310	12.20	310	12.20	310	12.20	310	12.20	310
Diameter of overflow hole	l	2.05	52	2.05	52	2.05	52	2.05	52	2.05	52
Diameter of drain hole	m	2.05	52	2.05	52	2.05	52	2.05	52	2.05	52
Distance foot end of tub edge to centre of foot	n	17.13	435			17.52	445			18.11	460
Distance between the feet	o	27.76	705			29.53	750			32.28	820
Max. width of feet	p	16.17	410			18.50	470			20.47	520
Width of rim	s <sub>1</sub> ; s <sub>2</sub> ; s <sub>3</sub>	3.54; 3.94; 8.43	90; 100; 60	3.54; 3.94; 2.36	90; 100; 60	3.54; 3.94; 2.36	90; 100; 60	3.54; 3.94; 3.35	90; 100; 85	3.54; 3.94; 3.35	90; 100; 60
Distance between centre holes	u	8.43	214	8.43	214	23.39	214	8.43	214	23.39	214
Water volume** in gallons		27.73				36.18				43.58	
Weight of the enamelled bath tub in lbs		101.41				110.23				119.05	

Subject to technical alterations and tolerances.  
 \*\* 18.49 gallons displacement on average.

**KALDEWEI**