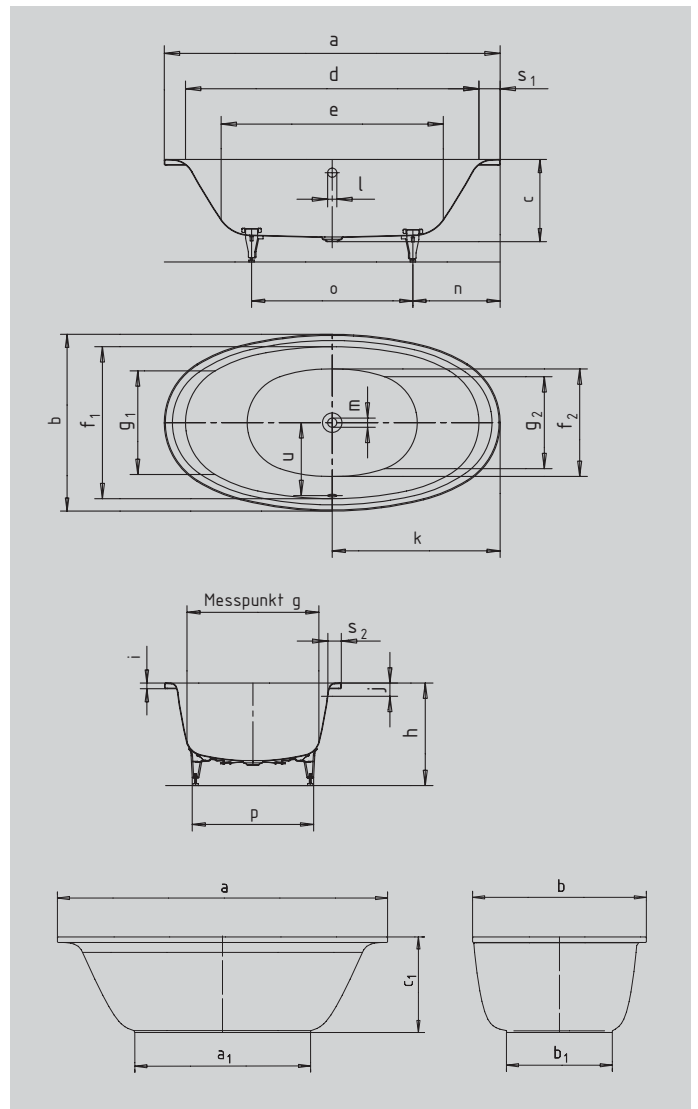


LUX XO DUO OVAL LUX XO DUO OVAL WITH MOULDED PANEL

- gently shaped shoulder rest for more pleasure and comfort
- elliptical exterior form reflects the interior form
- bathing with a friend: two identical back rests and centrally positioned outlet
- made of Kaldewei steel enamel 3.5 mm
- the moulded panel emphasises the high design standard and enables the bath to be free-standing



Model No.	inch		mm		
	232	232	232-7	232-7	
External length	a	74.80	1900	74.80	1900
External length (bottom)	a ₁	-	-	39.88	1013
External width	b	39.37	1000	39.37	1000
External width (bottom)	b ₁	-	-	23.94	608
Depth	c	18.31	465	18.31	465
Overall height with panel	c ₁	-	-	21.65	550
Internal length (top)	d	65.35	1660	65.35	1660
Internal length (bottom)	e	49.61	1260	49.61	1260
Internal width (top)	f ₁ ; f ₂	33.86; 24.02	860; 610	33.86; 24.02	860; 610
Internal width (bottom)	g ₁ ; g ₂	23.03; 20.47	585; 520	23.03; 20.47	585; 520
Height with feet	h	22.24-23.43	565-595	22.24-23.43	565-595
Height of rim	i	1.26	32	1.26	32
Distance top edge to centre of overflow hole	j	2.95	75	2.95	75
Distance tub edge to centre of drain hole	k	37.40	950	37.40	950
Diameter of overflow hole	l	2.05	52	2.05	52
Diameter of drain hole	m	2.05	52	2.05	52
Distance foot end of tub edge to centre of foot	n	23.03	585	23.03	585
Distance between the feet	o	28.74	730	28.74	730
Max. width of feet	p	24.41	620	24.41	620
Width of rim (foot end; lengthwise)	s ₁ ; s ₂	4.72; 2.56	120; 65	4.72; 2.56	120; 65
Distance between centre holes	u	16.57	421	16.57	421
Water volume** in gallons		56.52		56.52	
Weight of the enamelled bath tub in lbs		121.25		-	

Subject to technical alterations and tolerances.
** 18.49 gallons displacement on average.