

## Application

The LP1000 Series lock is a fully mechanical pushbutton access control with no electrical wiring, electronics, or batteries. This lock is designed to operate surface mounted exit devices (not supplied) from the outside using a tailpiece, replacing the key cylinder on new or existing devices. Exterior access is by combination. Egress is by interior exit device and is free at all times. The LP1000 lock meets Americans with Disabilities Act (ADA) standards.

The lock can be used with many leading brands of surface-mounted (rim-mounted) exit devices; however, the LP1000 cannot be used with mortise design or most vertical rod exit devices. The exit device can be "dogged" open without affecting the operation of the lock.

Designed for high-frequency use and indoor or outdoor applications.

The pushbutton design eliminates problems associated with the issue, control, and collection of keys and magnetic cards. The combination can be quickly and easily changed to ensure continued maximum security once employees, tenants, or guests leave, saving the cost of new keys, key cylinders, magnetic cards, and card-encoding devices. Combination can be changed without removing lock from the door.

## Features

**One-hand operation:** Depress the buttons in the correct sequence and rotate lever to retract latch.

**Thousands of possible combinations:** Authorized individuals can change the combination in seconds. One or all five buttons can be used in the combination with two or more buttons depressed simultaneously.

**Rugged & weather resistant:**

The lock is weartested for intensive use.

**Includes:** Installation instructions, full-scale template, combination change tool.

## Optional Feature

**Key override:** Can be used to override the lock combination and gain access using a key. This feature allows facilities to initiate or maintain a master-keyed security system (keyed alike or keyed differently). The lock accepts removable core cylinders (not supplied).

## Specifications

**Construction:** Heavy-duty lock housing; conforms to ANSI 156.2 Grade 1; all metal; cast front housing; brass mounting plate; fixed cast ADA-compliant lever

**Strike:** Not supplied

**Latch & Exit Device:** Not supplied

**Door thickness:** Up to 2 1/4" (57 mm); optional 4" (102 mm)

**Installation:** 5" (127 mm) minimum stile required; recessed through bolts may be required

**Door handing:** Factory handed; not field reversible

**Tailpiece:** 2 3/4" (70 mm) tailpiece for exit device operation from outside

**Exit device hub rotation:**

Up to 60°, counterclockwise for left hand & clockwise for right hand

**Exit device compatibility:** Von Duprin Exit Only (EO) or Exit Only Fire (EOF) 22, 88 (EO), 98, 99, 900, 9859, 9957, 90027, 90047WDC, 90057; American Device 6324, F6324, Detex Advantex Series 10, 20, 21, 40, 50, 51; Monarch XX-R\*, FXX-R, 18-R\*, F-18-R\*, 17-R, F-17-R, XX-V\*, F-XX-V\*, 18-V\*, F-18-V\*, 11-R\*, 11-V\*  
\*Requires special k-hub adapter.

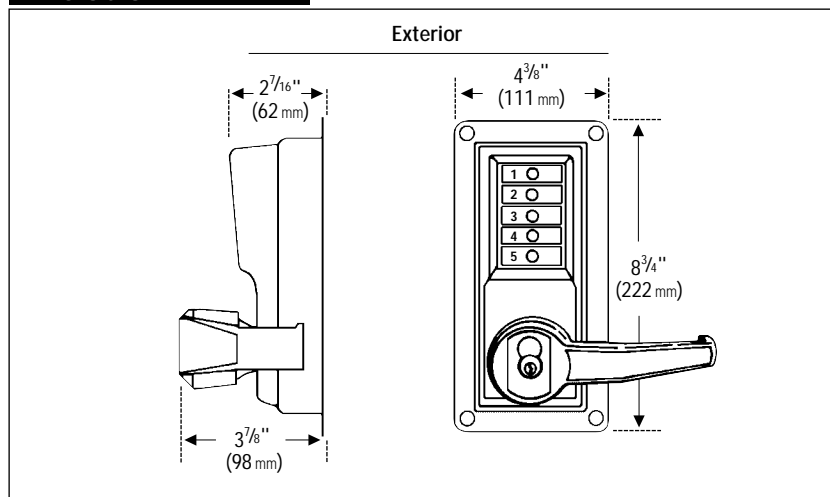
**Control:** Combination change tool

**Finishes:** 26 (625) Bright Chrome; 26D (626) Satin Chrome

**Weight:** 8 lb. (3.6 kg)



## Dimensions



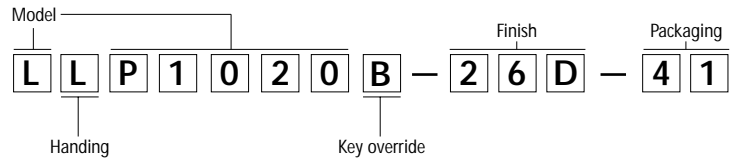
**Ordering Information**

**Example**

Left Hand Reverse Bevel model LP1020 with Best & Compatibles key override, Satin Chrome finish, packaged 1 per box.



Build the part number with the features you require:



Model	Description	Key override feature
LP1010	LP1000 Series exit device control	
LP1020	LP1000 Series exit device control	•

Handing	Description
L	Left Hand Reverse Bevel
R	Right Hand Reverse Bevel

Key override*	Description
A	ASSA
B	Best & Compatibles
C	Corbin / Russwin
M	Medeco* / Yale
R	Sargent
S	Schlage
XB	Best & Compatibles (Core included)

\* 5-pin Medeco cylinder requires a special knob spacer. Request spacer when ordering, part number 201569 (supplied free of charge).

Finish	Description
026	Bright Chrome (625)
26D	Satin Chrome (626)

Packaging	Description
41	1 per box

**Door Handing**

You must specify the handing of your door for LP1000 Series locks. The lock is handed at the factory and is not field reversible. To determine the handing of your door, look at the door in its closed position from the exterior (pushbutton side), and use the corresponding diagram below when specifying the handing of Unican locks and corresponding replacement parts.

