



# Operating Instructions and Parts Manual

## Benchtop 12-inch Disc Sander

Model JDS-12B



(708432K shown with optional stand 708438 and Canister Filter 708434)

**WALTER MEIER (Manufacturing) Inc.**

427 New Sanford Road  
LaVergne, Tennessee 37086  
Ph.: 800-274-6848  
[www.waltermeier.com](http://www.waltermeier.com)

**Part No. M-708433**  
Revision G 01/2010

Copyright © 2010 Walter Meier (Manufacturing) Inc.

# Warranty and Service

Walter Meier (Manufacturing) Inc., warrants every product it sells. If one of our tools needs service or repair, one of our Authorized Service Centers located throughout the United States can give you quick service. In most cases, any of these Walter Meier Authorized Service Centers can authorize warranty repair, assist you in obtaining parts, or perform routine maintenance and major repair on your JET® tools. For the name of an Authorized Service Center in your area call 1-800-274-6848.

## MORE INFORMATION

Walter Meier is consistently adding new products to the line. For complete, up-to-date product information, check with your local Walter Meier distributor, or visit [waltermeier.com](http://waltermeier.com).

## WARRANTY

JET products carry a limited warranty which varies in duration based upon the product (MW = Metalworking, WW = Woodworking).

<b>90</b> DAY WARRANTY	<b>1</b> YEAR WARRANTY	Body Repair Kits Bottle Jacks Cable Pullers Cold Saws Hoists-Air Hoists-Electric Metal forming Mill/Drills Milling Machines MW Bandsaws MW Drill Presses MW Finishing Equipment MW Lathes MW Precision Vises	<b>2</b> YEAR WARRANTY	Palet Trucks Rigging Equip. Service Jacks Stackers Surface Grinders Tapping Trolleys-Air Trolleys-Electric Web Slings Winches-Electric	<b>3</b> YEAR WARRANTY	WW Benchtop Tools	<b>5</b> YEAR WARRANTY	Beam Clamps Chain Hoist- Manual Lever Hoists Pullers-JCH Models Scissor Lift Tables Screw Jacks Trolleys-Geared Trolleys-Plain Winches-Manual WW Air Filtration WW Bandsaws WW Buffers	WW Drill Presses WW Dust Collectors WW Dust Filters WW Dust Fittings WW Jointers WW Lathes WW Planers WW Sanders WW Shapers WW Tablesaws	<b>LIFE</b> LIFETIME WARRANTY	Fastening Tools Mechanics Hand Tools Striking Tools Vises (no -precision) Clamps
Warranty reverts to 1 Year Warranty if woodworking (WW) products listed above are used for industrial or educational purposes.											

## WHAT IS COVERED?

This warranty covers any defects in workmanship or materials subject to the exceptions stated below. Cutting tools, abrasives and other consumables are excluded from warranty coverage.

## WHO IS COVERED?

This warranty covers only the initial purchaser of the product.

## WHAT IS THE PERIOD OF COVERAGE?

The general JET warranty lasts for the time period specified in the product literature of each product.

## WHAT IS NOT COVERED?

Five Year Warranties do not cover woodworking (WW) products used for commercial, industrial or educational purposes. Woodworking products with Five Year Warranties that are used for commercial, industrial or education purposes revert to a One Year Warranty. This warranty does not cover defects due directly or indirectly to misuse, abuse, negligence or accidents, normal wear-and-tear, improper repair or alterations, or lack of maintenance.

## HOW TO GET SERVICE

The product or part must be returned for examination, postage prepaid, to a location designated by us. For the name of the location nearest you, please call 1-800-274-6848.

You must provide proof of initial purchase date and an explanation of the complaint must accompany the merchandise. If our inspection discloses a defect, we will repair or replace the product, or refund the purchase price, at our option. We will return the repaired product or replacement at our expense unless it is determined by us that there is no defect, or that the defect resulted from causes not within the scope of our warranty in which case we will, at your direction, dispose of or return the product. In the event you choose to have the product returned, you will be responsible for the shipping and handling costs of the return.

## HOW STATE LAW APPLIES

This warranty gives you specific legal rights; you may also have other rights which vary from state to state.

## LIMITATIONS ON THIS WARRANTY

WALTER MEIER (MANUFACTURING) INC., LIMITS ALL IMPLIED WARRANTIES TO THE PERIOD OF THE LIMITED WARRANTY FOR EACH PRODUCT. EXCEPT AS STATED HEREIN, ANY IMPLIED WARRANTIES OR MERCHANTABILITY AND FITNESS ARE EXCLUDED. SOME STATES DO NOT ALLOW LIMITATIONS ON HOW LONG THE IMPLIED WARRANTY LASTS, SO THE ABOVE LIMITATION MAY NOT APPLY TO YOU.

WALTER MEIER SHALL IN NO EVENT BE LIABLE FOR DEATH, INJURIES TO PERSONS OR PROPERTY, OR FOR INCIDENTAL, CONTINGENT, SPECIAL, OR CONSEQUENTIAL DAMAGES ARISING FROM THE USE OF OUR PRODUCTS. SOME STATES DO NOT ALLOW THE EXCLUSION OR LIMITATION OF INCIDENTAL OR CONSEQUENTIAL DAMAGES, SO THE ABOVE LIMITATION OR EXCLUSION MAY NOT APPLY TO YOU.

Walter Meier sells through distributors only. The specifications in Walter Meier catalogs are given as general information and are not binding. Members of Walter Meier reserve the right to effect at any time, without prior notice, those alterations to parts, fittings, and accessory equipment which they may deem necessary for any reason whatsoever. JET®-branded products are not sold in Canada by Walter Meier.

# Table of Contents

Warranty and Service.....	2
Table of Contents .....	3
Warning .....	4
Grounding Instructions .....	6
Introduction .....	8
Specifications .....	8
Unpacking.....	9
Contents of the Shipping Carton.....	9
Assembly .....	10
Stand Assembly ( <i>optional accessory</i> ) .....	10
Sander Assembly .....	10
Adjustments .....	11
Table Adjustment .....	11
Sanding Disc Replacement .....	11
Center Point.....	12
Filler Bar .....	12
Brake.....	12
On/Off Switch.....	12
Lubrication.....	12
Motor.....	12
Dust Collection .....	13
Canister Filter ( <i>optional accessory</i> ).....	13
Cleaning the Filter .....	13
Optional Accessories .....	14
Replacement Parts .....	14
Breakdown for JDS-12B Benchtop Disc Sander .....	15
Parts List for JDS-12B Benchtop Disc Sander .....	16
Open Stand Assembly ( <i>Optional Accessory</i> ) .....	18
Electrical Connections.....	19

# Warnings

**Wear eye protection.**

**Always keep guards in place and in proper operating condition. Do not operate the machine without the guards for any reason.**

**This disc sander is intended to be used with wood and wood products only. Use of this disc sander and a dust collector with metal products is a potential fire hazard.**

**Support the workpiece adequately at all times during operation; maintain control of the work at all times.**

**This disc sander is designed and intended for use by properly trained and experienced personnel only. If you are not familiar with the proper and safe operation of a disc sander, do not use until proper training and knowledge has been obtained.**

- **REMOVE ADJUSTING KEYS AND WRENCHES.** Form a habit of checking to see that keys and adjusting wrenches are removed from the machine before turning it on.
- **KEEP THE WORK AREA CLEAN.** Cluttered areas and benches invite accidents.
- **DON'T USE IN A DANGEROUS ENVIRONMENT.** Don't use power tools in damp or wet locations, or expose them to rain. Keep work area well lighted.
- **KEEP CHILDREN AWAY.** All visitors should be kept a safe distance from the work area.
- **MAKE THE WORKSHOP KIDPROOF** with padlocks, master switches, or by removing starter keys.
- **DON'T FORCE THE MACHINE.** It will do the job better and safer at the rate for which it was designed.
- **USE THE RIGHT TOOL.** Don't force a machine or attachment to do a job for which it was not designed.
- **USE THE PROPER EXTENSION CORD.** Make sure your extension cord is in good condition. When using an extension cord, be sure to use one heavy enough to carry the current your machine will draw. An undersized cord will cause a drop in the line voltage resulting in power loss and overheating. The table following shows the correct size to use depending on the cord length and nameplate ampere rating. If in doubt, use the next heavier gauge. Remember, the smaller the gauge number, the heavier the cord.

Volts	Total Length of Cord in Feet			
	120V	25	50	100
	AWG			
	16	16	14	12

- **WEAR PROPER APPAREL.** Do not wear loose clothing, gloves, neckties, rings, bracelets, or other jewelry which may get caught in moving parts. Nonslip footwear is recommended. Wear protective hair covering to contain long hair.
- **ALWAYS USE SAFETY GLASSES.** Also use face or dust masks if the cutting operation is dusty. Everyday eyeglasses only have impact resistant lenses; they are not safety glasses.
- **DON'T OVERREACH.** Keep proper footing and balance at all times.
- **MAINTAIN TOOLS WITH CARE.** Keep tools sharp and clean for best and safest performance. Follow instructions for lubricating and changing accessories.

- **ALWAYS DISCONNECT THE MACHINE FROM THE POWER SOURCE BEFORE SERVICING.**
- **REDUCE THE RISK OF UNINTENTIONAL STARTING.** Make sure the switch is in the off position before plugging in.
- **USE RECOMMENDED ACCESSORIES.** The use of accessories and attachments not recommended by JET may cause hazards or risk of injury to persons.
- **NEVER STAND ON A MACHINE.** Serious injury could occur if the machine is tipped.
- **CHECK DAMAGED PARTS.** Before further use of the machine, a guard or other part that is damaged should be carefully checked to determine that it will operate properly and perform its intended function - check for alignment of moving parts, binding of moving parts, breakage of parts, mounting, and any other conditions that may affect its operation. A guard or other part that is damaged should be properly repaired or replaced.
- **NEVER LEAVE THE MACHINE RUNNING UNATTENDED. TURN POWER OFF.** Don't leave the machine until it comes to a complete stop.
- **SOME DUST CREATED** by power sanding, sawing, grinding, drilling and other construction activities contains chemicals known to cause cancer, birth defects or other reproductive harm. Some examples of these chemicals are:
  - Lead from lead based paint
  - Crystalline silica from bricks and cement and other masonry products, and
  - Arsenic and chromium from chemically-treated lumber.
 Your risk from those exposures varies, depending on how often you do this type of work. To reduce your exposure to these chemicals: work in a well ventilated area, and work with approved safety equipment, such as those dust masks that are specifically designed to filter out microscopic particles
- **DO NOT** operate tool while under the influence of drugs, alcohol or any medication.
- **AVOID** kickback by sanding in accordance with directional arrows. Sand on downward side of disc. Sanding on the upward side could cause the workpiece to fly up causing injury.
- **SAND** with the grain of the wood.
- **DO NOT** sand pieces of material that are too small to be safely supported.
- **WHEN** sanding a large workpiece, provide additional support at table height.
- **ADDITIONAL INFORMATION** regarding the safe and proper operation of this product is available from the National Safety Council, 1121 Spring Lake Drive, Itasca, IL 60143-3201, in the Accident Prevention Manual for Industrial Operations and also in the safety Data Sheets provided by the NSC. Please also refer to the American National Standards Institute ANSI 01.1 Safety Requirements for Woodworking Machinery and the U.S. Department of Labor OSHA 1910.213 Regulations.
- **SAVE THESE INSTRUCTIONS** refer to them often and use them to instruct others.

**Familiarize yourself with the following safety notices used in this manual:**

**CAUTION** This means that if precautions are not heeded, it may result in minor injury and/or possible machine damage.

**WARNING** This means that if precautions are not heeded, it may result in serious or even fatal injury.

# Grounding Instructions

**Warning:** This tool must be grounded while in use to protect the operator from electric shock.

In the event of a malfunction or breakdown, grounding provides a path of least resistance for electric current to reduce the risk of electric shock. This tool is equipped with an electric cord having an equipment-grounding conductor and a grounding plug. The plug must be plugged into a matching outlet that is properly installed and grounded in accordance with all local codes and ordinances.

Do not modify the plug provided. If it will not fit the outlet, have the proper outlet installed by a qualified electrician.

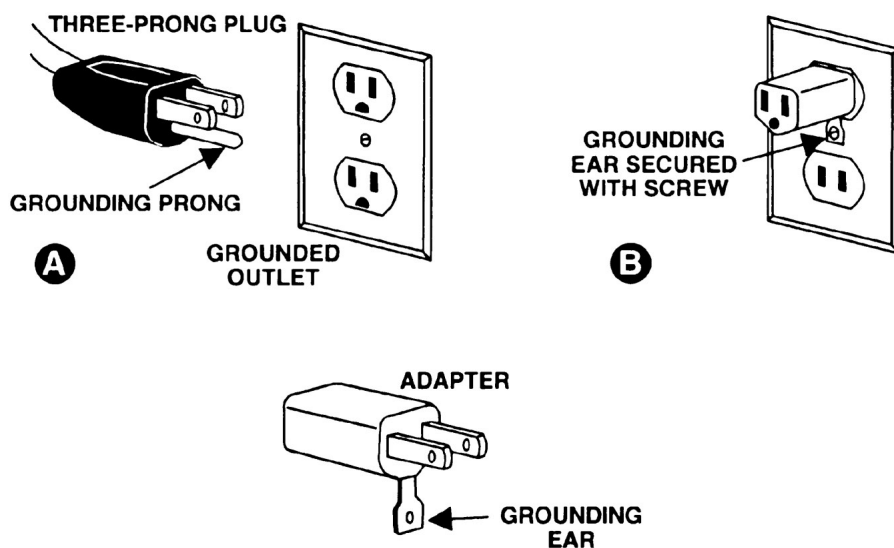
Improper connection of the equipment-grounding conductor can result in a risk of electric shock. The conductor, with insulation having an outer surface that is green with or without yellow stripes, is the equipment-grounding conductor. If repair or replacement of the electric cord or plug is necessary, do not connect the equipment-grounding conductor to a live terminal.

Check with a qualified electrician or service personnel if the grounding instructions are not completely understood, or if in doubt as to whether the tool is properly grounded. Use only three wire extension cords that have three-prong grounding plugs and three-pole receptacles that accept the tool's plug.

Repair or replace a damaged or worn cord immediately.

## 115 Volt Operation

As received from the factory, your sander is ready to run at 115 volt operation. This sander, when wired for 115 volt, is intended for use on a circuit that has an outlet and a plug that looks like the one illustrated in (A). A temporary adapter, which looks like the adapter as illustrated in (B), may be used to connect this plug to a two-pole receptacle, as shown in (B) if a properly grounded outlet is not available. The temporary adapter should only be used until a properly grounded outlet can be installed by a qualified electrician. **This adapter is not applicable in Canada.** The green colored rigid ear, lug, or tab, extending from the adapter, must be connected to a permanent ground such as a properly grounded outlet box, as shown in (B).



## 230 Volt Operation

If 230V, single phase operation is desired, the following instructions must be followed:

1. **Disconnect the machine from the power source.**
2. This JET sander is supplied with four motor leads that are connected for 115V operation, as shown in Figure A. Reconnect these four motor leads for 230V operation, as shown in Figure B.
3. The 115V attachment plug (A), supplied with the sander, must be replaced with a UL/CSA listed plug suitable for 230V operation (D). Contact your local Authorized JET Service Center or qualified electrician for proper procedures to install the plug. The sander must comply with all local and national codes after the 230 volt plug is installed.
4. The sander with a 230 volt plug should only be connected to an outlet having the same configuration (D). No adapter is available or should be used with the 230 volt plug.

**Important:** In all cases (115 or 230 volts), make certain the receptacle in question is properly grounded. If you are not sure, have a registered electrician check the receptacle.

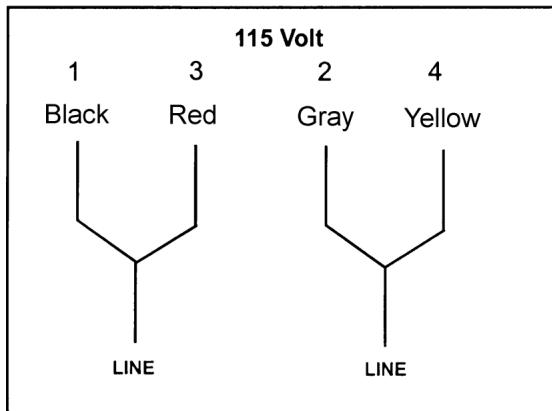


FIGURE A

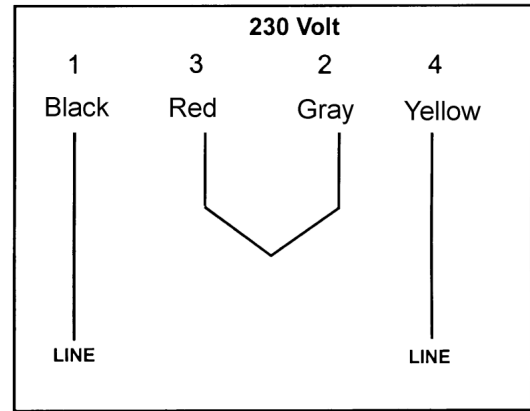
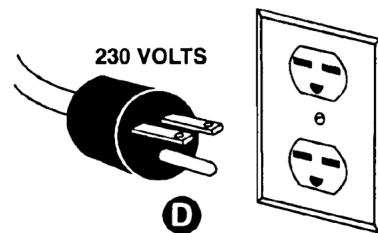
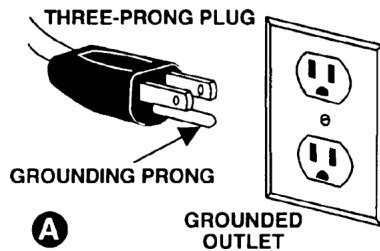


FIGURE B



# Introduction

This manual is provided by Walter Meier (Manufacturing) Inc., covering the safe operation and maintenance procedures for a JET Model JDS-12B Disc Sander. This manual contains instructions on installation, safety precautions, general operating procedures, maintenance instructions and parts breakdown. This machine has been designed and constructed to provide years of trouble free operation if used in accordance with instructions set forth in this manual. If there are any questions or comments, please contact either your local supplier or Walter Meier. Walter Meier can also be reached at our web site: [www.waltermeier.com](http://www.waltermeier.com).

# Specifications

Model Number.....	JDS-12B
Stock Number .....	708433
Disc Diameter (in.).....	12
Table Tilt (deg.).....	15 up, 45 down
Dust Chute Diameter (in.).....	4
Disc Table (in.) .....	16-3/8 W x 9-3/4 D
Motor .....	TEFC, 1HP, 1PH, 115/230V, 60Hz
Impeller (in.).....	9 Dia. x 1-13/16
Overall Dimensions (in.).....	21 W x 25-5/8 D x 21 H
Net Weight, approximate (lbs.).....	100

The above specifications were current at the time this manual was published, but because of our policy of continuous improvement, Walter Meier reserves the right to change specifications at any time and without prior notice, without incurring obligations.



**Read and understand the entire contents of this manual before attempting set-up or operation! Failure to comply may cause serious injury.**



## Unpacking

Open shipping container and check for shipping damage. Report any damage immediately to your distributor and shipping agent. Do not discard any shipping material until the Disc Sander is assembled and running properly.

Compare the contents of your container with the following parts list to make sure all parts are intact. Missing parts, if any, should be reported to your distributor. Read the instruction manual thoroughly for assembly, maintenance and safety instructions.

### Contents of the Shipping Carton

#### JDS-12B Benchtop Sander

- 1 Sander
- 1 Sanding Disc
- 1 Table
- 1 Miter Gauge
- 1 Inlet
- 1 Inlet Gasket
- 1 Owner's Manual
- 1 Warranty Card
  
- 1 *Hardware Kit*
  - 4 Hex Head Bolts M10x40
  - 8 Flat Washers M10
  - 4 Lock Washers M10
  - 4 Hex Nuts M10
  - 4 Hex Head Bolts M6x16
  - 1 Center Point
  - 1 Right Angle Hex Wrench 3mm
  - 1 Filler Bar
  - 1 Socket Head Cap Screw M5x8

#### OS-12DS Stand (optional accessory)

- 4 Stand Legs
- 4 Stand Supports
- Hardware Kit*
  - 16. Carriage Bolt M8x16
  - 16. Hex Nut M8

#### CF-12DS Canister Filter (optional accessory)

- 1 Canister Filter
- 1 Plastic Elbow
- 1 Grounding Wire

### Tools Required for Assembly & Adjustments

- 1 13mm Wrench or socket
- 1 Combination Square



*(708432K shown with optional stand 708438 and Canister Filter 708434)*

# Assembly

## Stand Assembly (optional accessory)

1. Match the hole patterns in the stand legs with the hole patterns in the stand supports. Mount the legs to the outside of the supports using *sixteen* M8x16 carriage bolts and *sixteen* M8 flange lock nuts, Figure 1. Do not tighten until the stand has been assembled and is sitting level on the floor.
2. Bolt the sander to the stand with *four* M10x40 hex cap bolts, *eight* M10 flat washers, *four* M10 lock washers and *four* M10 hex nuts

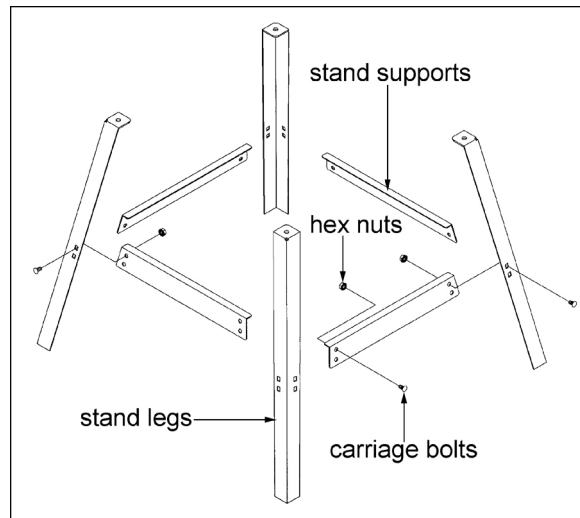


Figure 1

## Sander Assembly

1. Mount the sander to JET's open stand with *four* M10x40 hex head bolts, *eight* M10 flat washers, *four* lock washers, and *four* hex nuts. Tighten the nuts to secure the sander to the stand.
2. Note: If you are going to use the sander as a benchtop unit mount the sander to the workbench with the supplied bolts.
3. Unscrew the knob (A, Figure 2), remove the washer (B, Figure 2) and the trunnion holder (C, Figure 2). Repeat for opposite side.
4. Lift the table (D, Figure 2) into position and set on top of the split pins and threaded shaft.
5. Reinstall the trunnion holder, washer and knob. Repeat for opposite side.
6. Make sure the trunnion and trunnion holder engage and tighten the knob.
7. Place the gasket (E, Figure 3) against the sander base and mount the inlet port (F, Figure 3) to the sander with *four* M6x16 hex cap bolts (G, Figure 3).

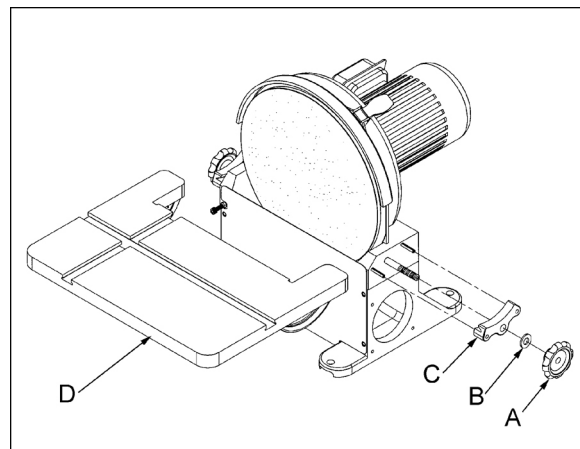


Figure 2

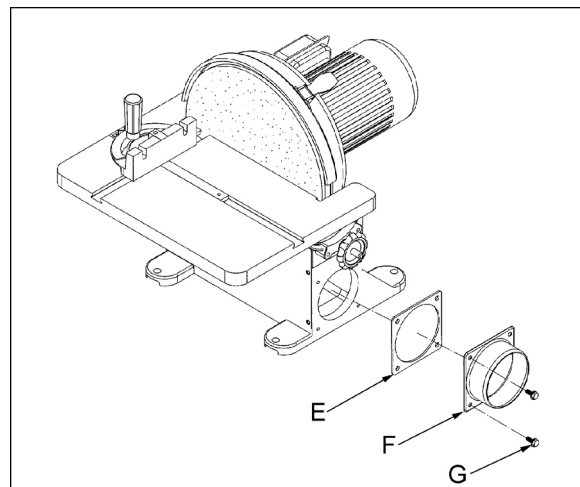


Figure 3

**⚠WARNING** Avoid kickback by sanding in accordance with directional arrow. Sand on downward side of disc. Sanding on the upward side could cause the workpiece to fly up causing injury! Failure to comply may cause serious injury!

# Adjustments

## Table Adjustment

1. The table stops have been set-up at the factory. However, if you run into a problem, or want to check the table follow the below listed steps.
2. Loosen lock knobs (B, Figure 4) and move the table to the 90 degree position. Tighten knobs and place a square (A, Figure 4) against the table and disc. The square should rest flat against the table and disc.
3. If adjustment is needed move the table so that it rests 90 degrees from the table, and loosen the hex nut (D, Figure 5) and tighten the set screw (C, Figure 5) until it contacts the table surface. Tighten hex nuts. This will properly adjust the 90-degree stop.
4. Loosen the lock knobs (F, Figure 5) and tilt the table up just enough to pivot the stop (E, Figure 5) out of the way.
5. Tilt the table down until it hits the 45 degree stop (G, Figure 5). Tighten lock knobs, and check the table with a combination square.
6. If adjustment is needed, loosen the hex nut (H, Figure 5) and adjust the socket head cap screw (G, Figure 5) until it contacts the table. Tighten hex nuts.
7. Always maintain a gap of approximately 1/16" between the table edge, and disc. If adjustment is necessary loosen hex cap bolts (I, Figure 5) and move the table into position. Tighten hex cap bolts.
8. The table tilts between 15° up - 45° down by loosening the lock knobs and tilting the table to the desired angle. Tighten the knobs.
9. If you want to tilt the table up you need to pivot the stop (E, Figure 5) out of the way.

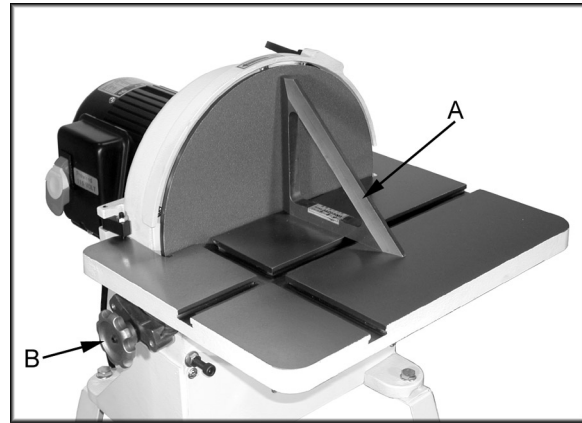


Figure 4

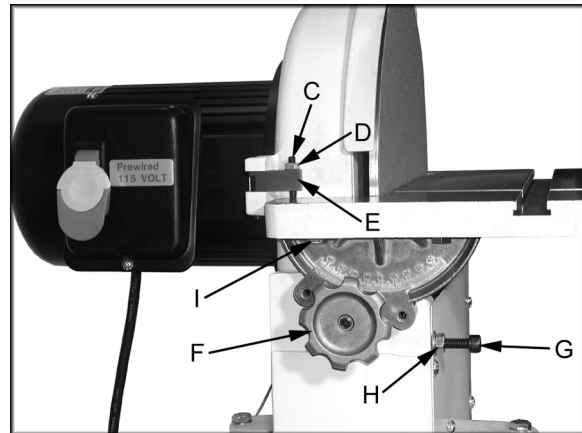


Figure 5

## Sanding Disc Replacement

1. **Disconnect machine from the power source.**
2. Remove the knobs (J, Figure 6), washers (K, Figure 6), and trunnion holders (L, Figure 6) followed by the table assembly (M, Figure 6).
3. Remove old sanding disc by stripping from wheel. Use a cleaner and putty knife to remove the residue. Make sure the disc plate is clean and dry.
4. Press the new disc firmly into place.

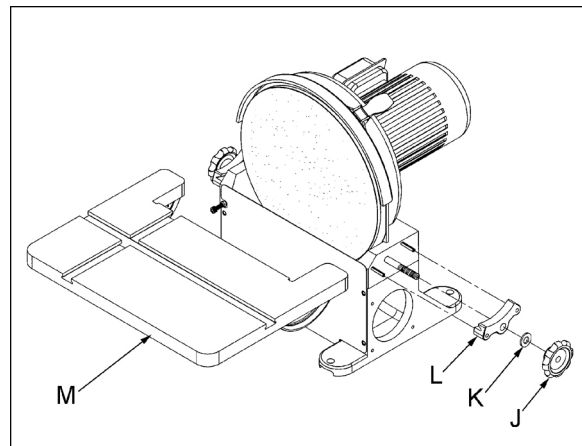


Figure 6

## Center Point

The center point (A, Figure 7) provided with the sander can be used for sanding circles. Slide the center point into the miter slot that is perpendicular to the sanding disc. The radius of the desired circle should be the distance from the center point to the sanding disc. Lock the center point in position by tightening the set screws. Cut the wood to the approximate diameter and press on to the center point. Rotate the wood until the desired results are achieved.

## Filler Bar

The filler bar (H, Figure 7) should be added when sanding small workpieces. Secure in place with the socket head cap screw (I, Figure 7). When not using the filler bar thread the socket head cap screw (I, Figure 7) in the tapped hole as a stop.

## Brake

After you have turned the sander "OFF" you can press the brake (B, Figure 7) to slow, or stop the sanding disc.

## On/Off Switch

The machine can be turned "ON" by moving the switch (D, Figure 8) to the "UP" position. The key (E, Figure 8) can be removed when the machine is in the "OFF" position. With the key removed the switch will not operate.

## Lubrication

You may need to lubricate the trunnion, and trunnion holder (G, Figure 8) if the table does not tilt smoothly.

## Motor

Make frequent inspections of the motor fan cover, and blow out (with low pressure air hose) or vacuum any accumulation of foreign material in order to maintain normal motor ventilation.

**⚠WARNING** All electrical connections must be done by a qualified electrician in compliance with all relevant codes. All adjustments or repairs must be done with the sander disconnected from the power source, unplugged. Failure to comply may result in serious injury!

The JDS-12B disc sander is rated 115V/230V, **Prewired 115V.**

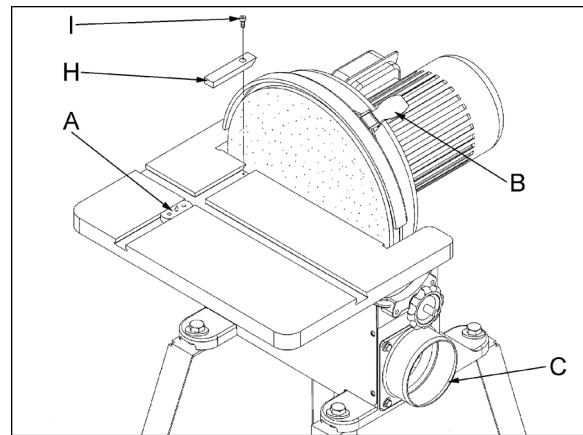


Figure 7

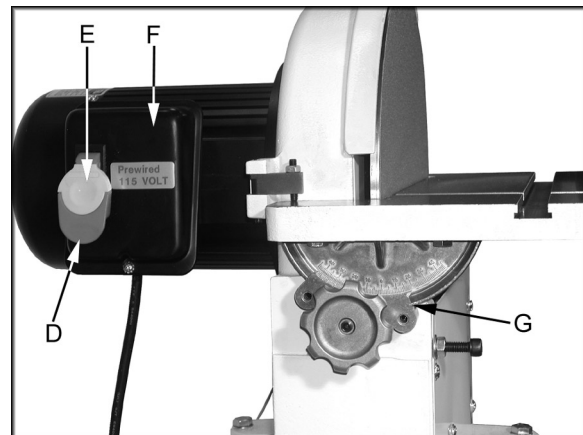


Figure 8

If you want to run the JDS-12B on 230V refer to the wiring diagram found on the inside of the switch box cover (F, Figure 8).

Before hooking up to the power source, make sure that the switch is in the off position.

It is recommended that the sander, when operated at **115 volts**, be connected to a dedicated, *minimum* 20 amp circuit with a 20 amp circuit breaker or time delay fuse. When operated at **230 volts**, connect the sander to a dedicated, *minimum* 10 amp circuit with 10 amp circuit breaker or time delay fuse. **Local codes take precedence over recommendations.**

## Dust Collection

The disc sander has a built in fan designed to suck the saw dust away from the sanding disc and exhaust through the inlet (C, Figure 7). For best results hook the sander to JET's optional accessory canister filter (#708434).

The sander can also be attached to a dust collector using a 4" diameter hose and clamp. JET offers a wide variety of hoses, adapters and dust collectors.

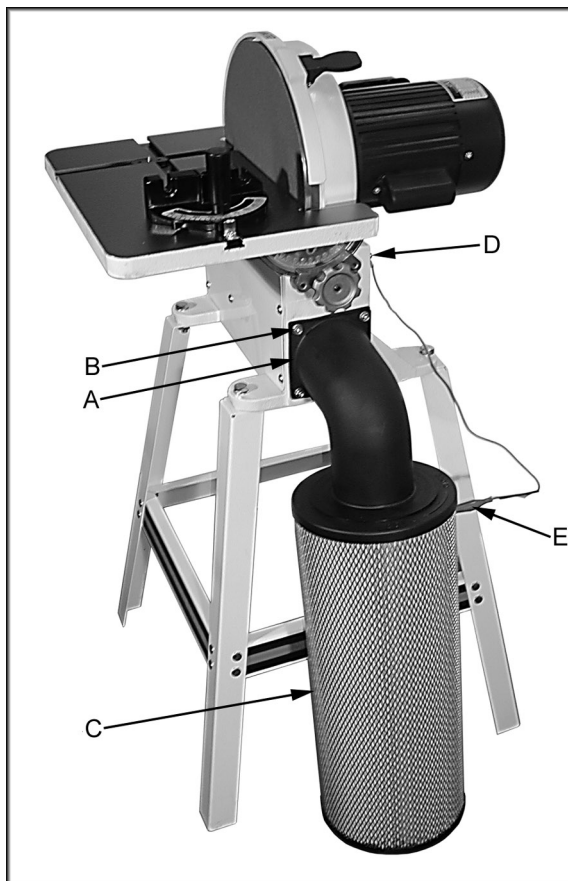


Figure 9

## Canister Filter (optional accessory)

1. Remove the inlet port that came with the sander.
2. Mount the plastic elbow (A, Figure 9) to the sander using the same hardware (B, Figure 9) from the inlet port.
3. Connect the filter (C, Figure 9) to the elbow and turn counter-clockwise so that it locks in place.

**⚠WARNING** Static electricity will build up in the filter during operation. The filter ground must be attached to the machine ground, and to the filter. Failure to comply may result in fire/loss of property, or personal injury.

4. Remove the screw (D, Figure 9) from the sander base. Attach the end of the grounding wire to the screw and thread back in to the base.
5. Attach the grounding clip (E, Figure 9) to the metal part of the filter. This will prevent static electricity from building up in the filter.

## Cleaning the Filter

**⚠CAUTION** Wearing a particle mask/respirator for protection against fine dust particles during cleaning is highly recommended.

Clean the canister filter frequently to keep the sander's performance at its optimum. To clean:

1. Disconnect the machine from the power source.
2. Take off the grounding clip and remove the filter (C, Figure 9) by turning clockwise.
3. Empty the contents into an appropriate container.
4. The filter can be cleaned with a low pressure air hose. Blow from the outside of the filter to clean the dust particles. For best results check and empty the filter frequently.
5. Install the filter and reattach the grounding clip.

## Troubleshooting

Trouble	Probable Cause	Remedy
Sander will not start	Sander unplugged from wall, or motor.	Check all plug connections.
	Fuse blown, or circuit breaker tripped.	Replace fuse, or reset circuit breaker.
	Cord damaged.	Replace cord.
	Starting capacitor not functioning.	Replace starting capacitor.
Sanding disc does not come up to speed	Extension cord too light or too long	Replace with adequate size and length cord
	Low current	Contact a qualified electrician
Machine vibrates excessively	Stand or base on uneven surface	Adjust stand or base so that it rests evenly on the floor
		Bolt down the base or stand
Sanded edge not square	Table not square to sanding disc	Use a square to adjust table to sanding disc
Sanding marks on wood	Work held still	Keep workpiece moving
	Wrong grit sanding disc	Use coarser grit for stock removal and fine grit for finish sanding
	Feed pressure too great	Never force workpiece
	Sanding against the grain	Sand with the grain

## Optional Accessories

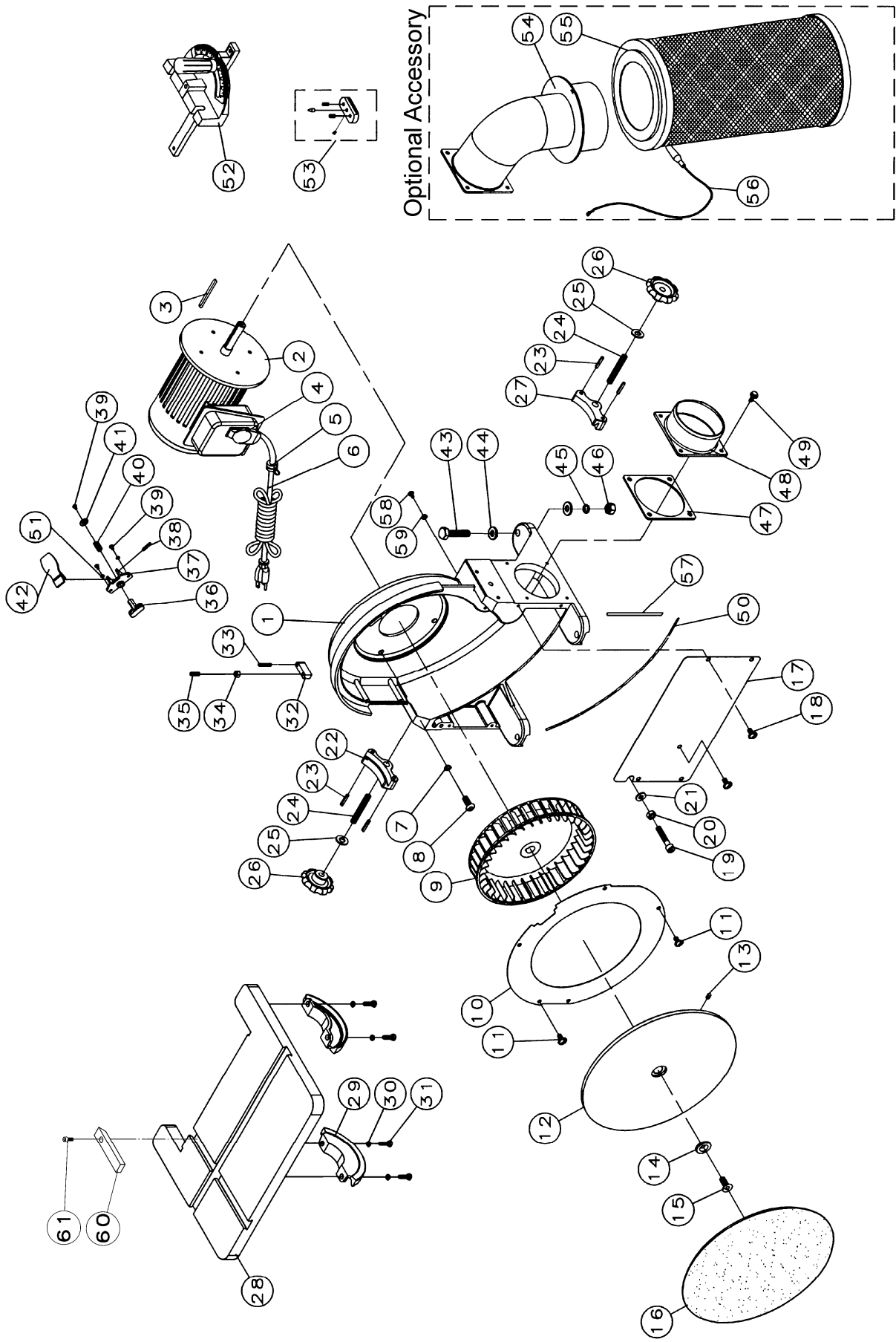
708438 Open Stand

708434 Canister Filter, 2 micron

## Replacement Parts

Replacement parts are listed on the following pages. To order parts or reach our service department, call 1-800-274-6848, Monday through Friday (see our website for business hours, [www.waltermeier.com](http://www.waltermeier.com)). Having the Model Number and Serial Number of your machine available when you call will allow us to serve you quickly and accurately.

# Breakdown for JDS-12B Benchtop Disc Sander



## Parts List for JDS-12B Benchtop Disc Sander

Index No.	Part No.	Description	Size	Qty
1	612131	Guard Base		1
2	MH612001	Motor	1 HP, 1Ph 110V/220V	1
	JDS12B-MFC	Motor Fan Cover (not shown)		1
	JDS12B-MF	Motor Fan (not shown)		1
	JDS12B-CS	Centrifugal Switch (not shown)		1
	JDS12B-CC	Capacitor Cover (not shown)		1
	JDS12B-JBC	Junction Box Cover (not shown)		1
	JDS12B-SC	Starting Capacitor (not shown)	200MFD, 125VAC	1
	JDS12B-RC	Running Capacitor (not shown)	10uF, 250V	1
3	KS050565	Key	5x5x65	1
4	994534	On/Off Switch		1
5	998621	Strain Relief		1
6	IC100001	Power Cord		1
7	TS-1551071	Spring Washer	M8	4
8	SJ080400	Pan Head Socket Bolt	M8x20	4
9	612132	Fan Blade	9"	1
10	612133	Partition		1
11	SF069200	Pan Head Bolt w/Flange	M6x8	5
12	612134	Sanding Disc		1
13	SS060200	Set Screw	M6x8	1
14	612113	Washer		1
15	SM089400	Countersunk Head Bolt	M8x16	1
16		12" Disc Sanding Paper ( <i>local purchase</i> )		1
17	612136	Front Cover		1
18	SF069200	Pan Head Bolt w/Flange	M6x8	5
19	TS-1504071	Socket Head Cap Screw	M8x35	1
20	TS-1540061	Hex Nut	M8	1
21	TS-1550061	Flat Washer	M8x18	1
22	612038	Trunnion Holder (A)		1
23	PS062600	Spring Pin	6x26	4
24	SS081200	Set Screw	M8x60	2
25	TS-1550061	Flat Washer	M8x18	2
26	612098	Knob	M8	2
27	612052	Trunnion Holder (B)		1
28	612135	Table		1
29	612046	Trunnion		2
30	TS-1551061	Lock Washer	M8	4
31	TS-1490021	Hex Head Bolt	M8x16	4
32	612010	Locating Block		1
33	PS053600	Spring Pin	5x36	1
34	TS-1540041	Hex Nut	M6	1
35	TS-1523071	Set Screw	M6x25	1
36	612116	Brake		1
37	612118	Brake Fixed Base		1
38	PS042600	Spring Pin	4x26	1
39	SP040200	Pan Head Bolt	M4x10	3
40	612140	Spring		1
41	WF051210	Flat Washer	M5x12	1
42	612115	Stop Handle		1
43	TS-1491061	Hex Head Bolt *	M10x40	4
44	TS-1550071	Flat Washer *	M10x20	8
45	TS-1551071	Lock Washer *	M10	4
46	TS-1540072	Hex Nut *	M10	4
47	612137	Packing		1
48	612145	Inlet	4"	1
49	TS-1482031	Hex Head Bolt *	M6x16	4
50	612099	Sponge		1

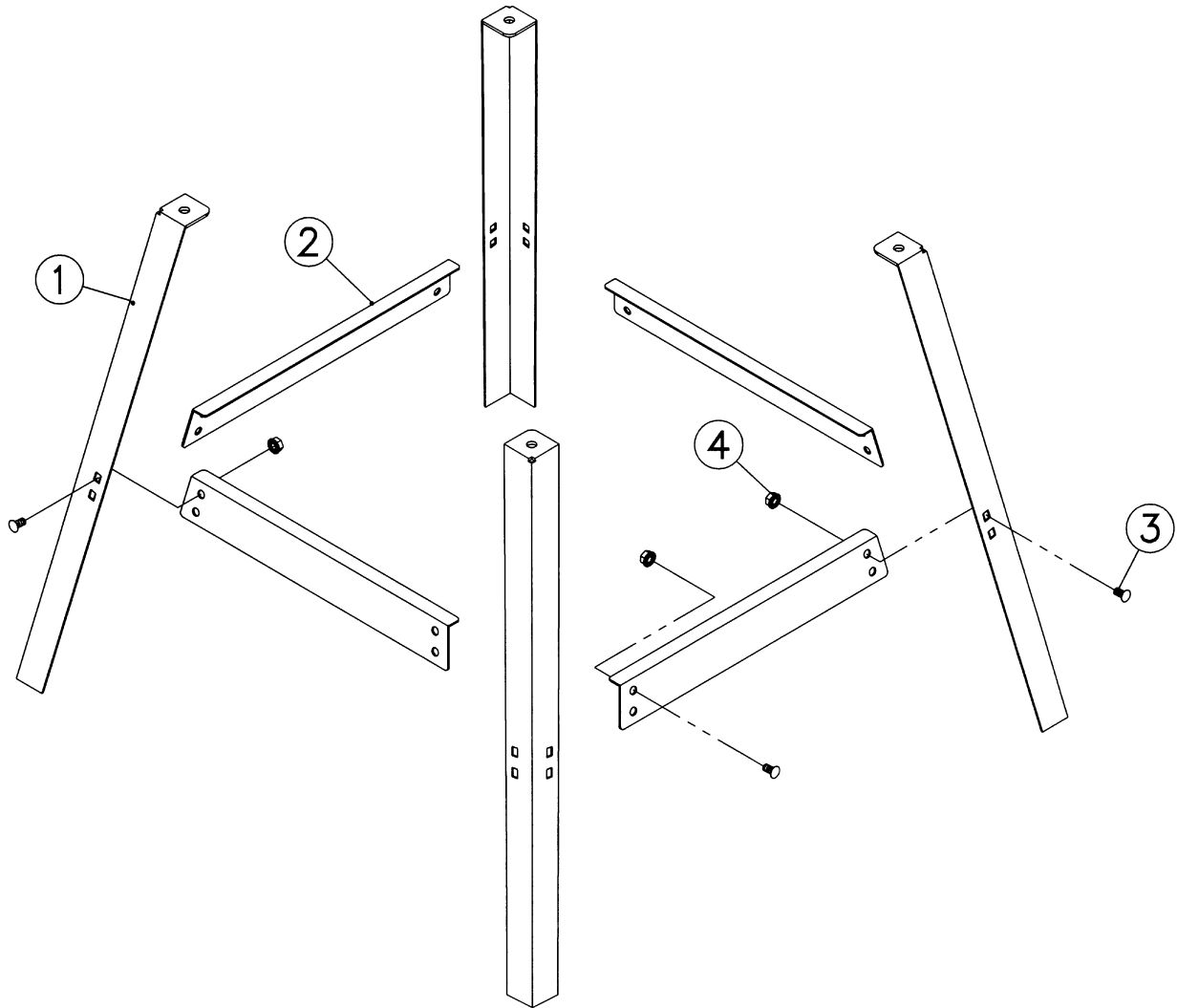


51	TS-1551021	Lock Washer	M4	2
52	AB198101	Miter Gauge Assembly		1
53	AB612143	Circle Gauge Assembly (ASM)		1
57	612117	Sponge Gasket		1
58	SP059200	Pan Head Bolt	M5x8	1
59	WE050000	Star Washer	M5	1
60	612171	Filler Bar		1
61	TS-1502011	Socket Head Cap Screw	M5x8	1
*	JDS12B-HK	Hardware Kit (includes # 43-46, 49, and a 3mm hex wrench)		
	JDS12B-WL	Warning Label (not shown)		
	JDS12B-ID	I.D. Label (not shown)		
	JDS12B-JL	JET Label (not shown)		

**Optional Accessory – Filter**

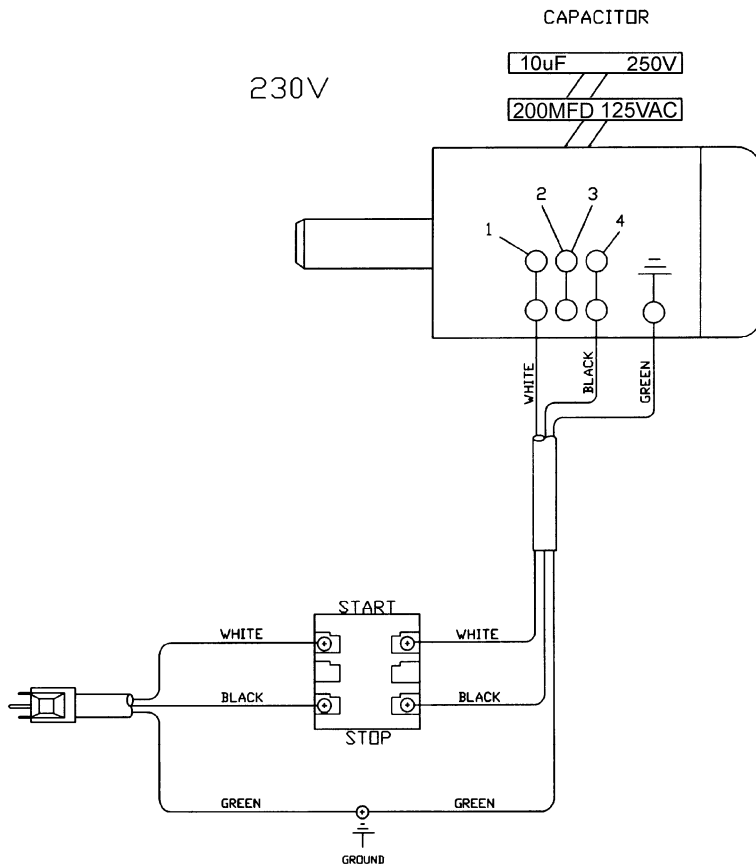
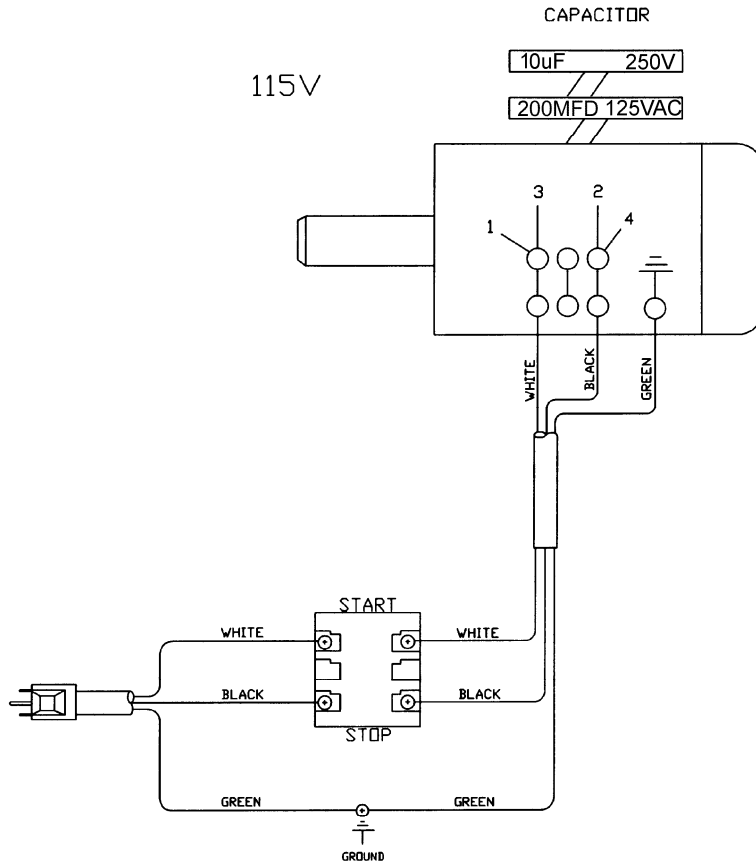
54	612147	Elbow		1
55	331022	Filter		1
56	331033	Grounding Clip		1

## Open Stand Assembly (Optional Accessory)



Index No.	Part No.	Description	Size	Qty
1	612141	Stand Leg		4
2	612142	Stand Support		4
3	SC089400	Carriage Bolt	M8x16	16
4	NF081300	Flange Lock Nut	M8	16
*	OS12DS-HK	Hardware Kit (not shown)		

# Electrical Connections





**WALTER MEIER (Manufacturing) Inc.**

427 New Sanford Road  
LaVergne, Tennessee 37086  
Phone: 800-274-6848  
[www.waltermeier.com](http://www.waltermeier.com)