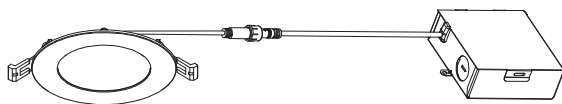


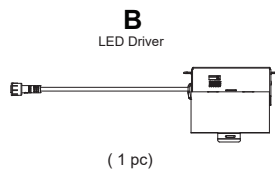
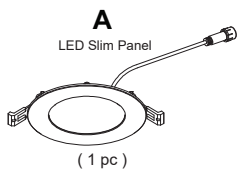
# INSTALLATION INSTRUCTIONS



## 3"/4"/6" & 8" SLIM PANEL



### PACKAGE CONTENTS



### WARNING

MAKE CERTAIN POWER IS OFF FROM THE ELECTRICAL PANEL BEFORE STARTING INSTALLATION OR ATTEMPTING ANY MAINTENANCE. INDOOR INSTALLATION ONLY.



### CAUTION: RISK OF ELECTRIC SHOCK

CONSULT A QUALIFIED ELECTRICIAN TO ENSURE CORRECT BRANCH CIRCUIT CONDUCTOR.



### SAFETY PRECAUTIONS

FOR SAFETY, READ AND UNDERSTAND INSTRUCTIONS COMPLETELY BEFORE STARTING INSTALLATION. ELECTRICITY SHOULD BE TURNED OFF AT THE FUSE OR THE CIRCUIT BREAKER BOX BEFORE INSTALLING THE FIXTURE. ALL ELECTRICAL CONNECTIONS MUST BE IN ACCORDANCE WITH N. E. C. OR YOUR LOCAL CODE.

### TOOLS REQUIRED:

- Saw
- Measuring Tape
- Electrical Wiring (use type and gauge suitable for application to connect the fixtures)

### PRE-INSTALLATION:

1. Turn power OFF from the electrical panel before starting installation.
2. Locate a suitable position to place the fixture and open in accordance to the cut-hole dimensions (refer to Hole Cut Table for appropriate size).
3. Run electrical wire from the switch (power supply) through the mounting hole- use NMD90 Romex or BX cable.

### DRIVER WIRING:

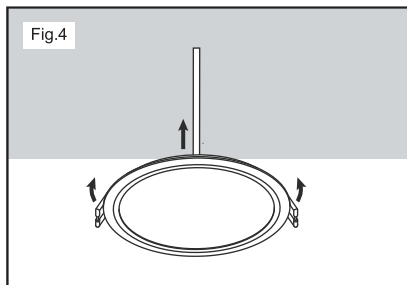
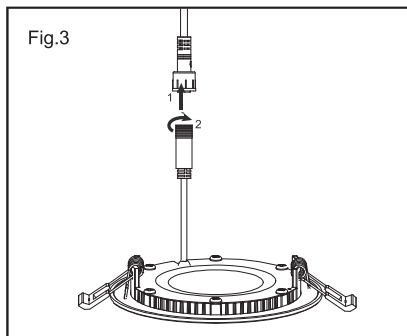
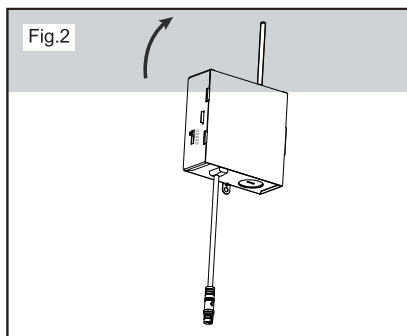
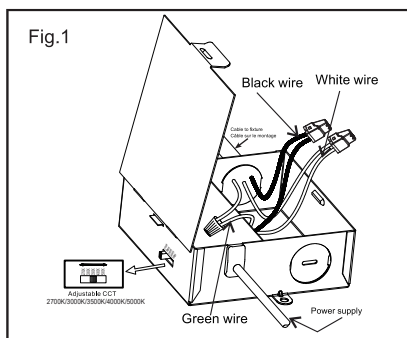
1. Open the hardwire box swing cover and remove the appropriate knockout(s).
2. Insert the electrical supply cable through the knockout and secure with a cable connector (sold separately).
3. Using wire nuts, connect green ground wire of cable to green wire on box. Connect black wire of cable to black wire of box. (Fig.1)
4. Place all wiring and connections back into the box and close the cover.
5. Insert hardwire box through the mounting hole. (Fig.2)

**NEW CONSTRUCTION APPLICATIONS:** Hardwire box shall be firmly secured to studs, joists, or similar fixed structural units.

**REMODEL APPLICATIONS:** Do not require the hardwire box to be firmly secured after the mounting plates, studs, joists, or structural units have been concealed.

### FIXTURE INSTALLATION:

1. Connect the fixture to the hardwire box by inserting and twisting the male/female connectors. (Fig.3)
2. Push spring loaded clips on the fixture upwards and insert fixture base into the mounting hole. Release the clips and fixture will be pulled flush to the ceiling (Fig.4).
3. Once assembly is complete, turn on power to confirm fixture is working properly.



## Compatible Dimmers

COOPER	LEVITON	LUTRON
SI06P	6621	PD-6WCL
	6672	DVCL-153P
	IPL06-10Z	SFTU-5A3P
		DMD-LE3-D
		CTCL-153P
		DV-600P

### Cut Hole Size

3 inch round	Ø3"(78mm)
4 inch round	Ø4-1/4"(108mm)
4 inch square	Ø4-1/4"(108mm)
6 inch round	Ø6-1/4"(158mm)
6 inch square	Ø6-1/4"(158mm)
8 inch round	Ø8-1/4"(210mm)



# INSTALLATION INSTRUCTIONS



## Bezels exchangeable

### IMPORTANT

Read all instructions before installing fixtures. Retain for future reference.

### SAFETY

For your safety, this fixture must be wired in accordance to local electrical codes and ordinances. All work should be done by a qualified electrician.

### WARNING

Make certain power is OFF from the electrical panel before starting installation or attempting any maintenance. Indoor installation only.

### TOOLS REQUIRED:

- Saw
- Measuring Tape
- Electrical Wiring (use type and gauge suitable for application to connect the fixtures)

### PRE-INSTALLATION:

1. Turn power OFF from the electrical panel before starting installation.
2. Locate a suitable position to place the fixture and open in accordance to the cut-hole dimensions (refer to Hole Cut Table for appropriate size).
3. Run electrical wire from the switch (power supply) through the mounting hole- use NMD90 Romex or BX cable.

### DRIVER WIRING:

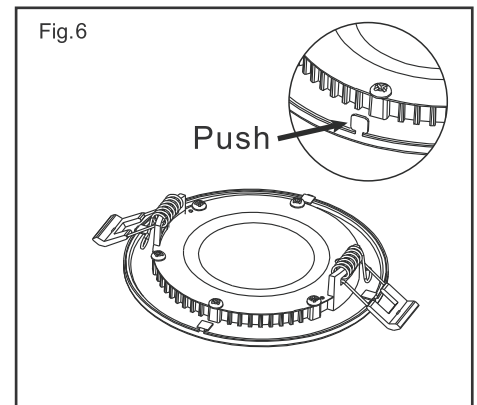
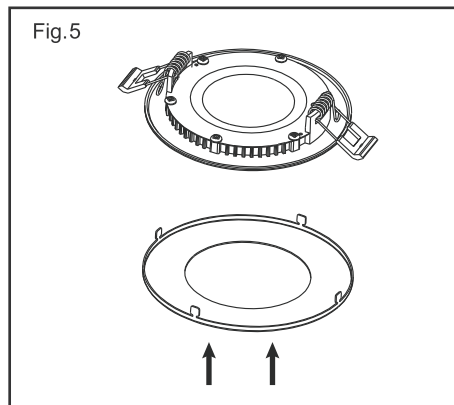
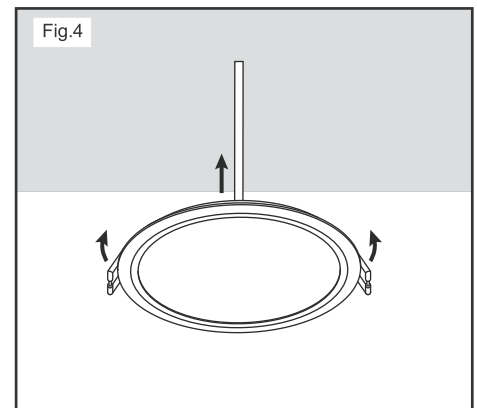
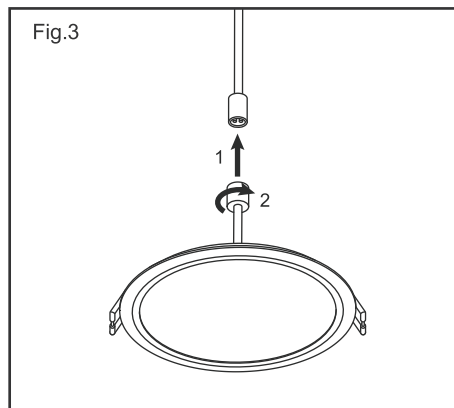
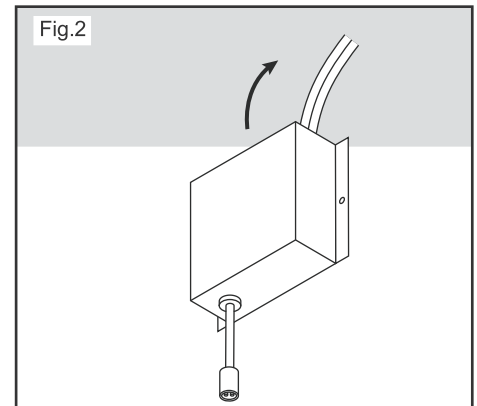
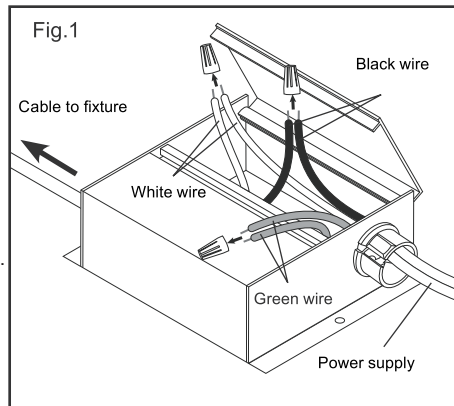
1. Open the hardwire box swing cover and remove the appropriate knockout(s).
2. Insert the electrical supply cable through the knockout and secure with a cable connector (sold separately).
3. Using wire nuts, connect green ground wire of cable to green wire on box. Connect black wire of cable to black wire of box. (Fig.1)
4. Place all wiring and connections back into the box and close the cover.
5. Insert hardwire box through the mounting hole. (Fig.2)

**NEW CONSTRUCTION APPLICATIONS:** Hardwire box shall be firmly secured to studs, joists, or similar fixed structural units.

**REMODEL APPLICATIONS:** Do not require the hardwire box to be firmly secured after the mounting plates, studs, joists, or structural units have been concealed.

### FIXTURE INSTALLATION:

1. Connect the fixture to the hardwire box by inserting and twisting the male/female connectors. (Fig.3)
2. Push spring loaded clips on the fixture upwards and insert fixture base into the mounting hole. Release the clips and fixture will be pulled flush to the ceiling (Fig.4).
3. Once assembly is complete, turn on power to confirm fixture is working properly.
4. (Optional) Put the bezel on the trim (Fig.5)
5. (Optional) Push the bezel lock to secure the bezel on trim (Fig.6)



The bezel can be changed with the multiple finishes and super economical, the light will be your perfect choice.

### TRIM OPTIONS

WH: White    BK: Black    BN: Brushed Nickel    CP: Cooper    BZ: Bronze

