



S902

COVE / CABINET / SHOWCASE / DISPLAY
LED SLEEK PLUS UNDERCABINET

Type	
Project	
Catalog No.	



FEATURES

- Constant current IC component ensures every LED receives same specific amperage rating. This method ensures consistent levels of light output and color and no voltage drop, no matter how long the run is.
- Active temperature compensation circuitry protects the fixture from any fluctuation in ambient temperature.
- Fixtures easily connect end-to-end to form a low-profile, continuous light source.
- Frosted lens cover helps diffuse light and reduce hot spots and glare
- 36 LEDs per foot
- Product complies with RoHS directive
- Contains no lead, mercury or other hazardous elements
- Heat dissipation body material – Aluminum
- Plastic Lens – Thermoplastic
- PC Board – FR4

SPECIFICATIONS

Beam Angle	120°
Input Voltage	24V DC
Lamp Life	50,000 hours
CRI	85 typical
Dimensions	5/8" H x 13/16" W
Ambient Operating Temperature *	-22°F to 122°F
Max Run	20 ft
Environment	Indoor - Dry
Dimming	0-10V, TRIAC
Certifications	c-UL-us
Warranty	5 Years – see published warranty terms for detailed information.

* Exceeding the operating temperature values may damage the LEDs by reducing the lifespan, lumen output, and/or adversely impact color consistency. It is recommended adequate airflow and heatsinking be taken into consideration in the installation and application of this product. Improper thermal management may lead to premature product failure and void the warranty.

APPLICATIONS

- Cove, cabinet and soffit lighting
- Showcase and display
- Path and contour marking
- Accent, edge, and back lighting
- Signage
- Suitable for use in closet applications in accordance with NEC requirements.

LUMEN DATA

	Color Temp	Watts*	Lumens	Efficacy (lm/W)
S902-08	3000K	3.9	280	72
	4000K		289	74
	6000K		310	79
S902-12	3000K	6.3	420	67
	4000K		438	70
	6000K		465	74
S902-24	3000K	11.8	810	69
	4000K		874	74
	6000K		930	79
S902-36	3000K	17.7	1180	67
	4000K		1319	75
	6000K		1350	72
S902-48	3000K	23.6	1570	65
	4000K		1680	70
	6000K		1800	75

* Max value

ORDERING INFORMATION

SERIES	LENGTH	COLOR
S902		
	08 : 7-3/4 in	30 : 3000K
	12 : 11-3/4 in	40 : 4000K
	24 : 23-7/16 in	60 : 6000K
	36 : 35-3/8 in	27 : 2700K *
	48 : 47-3/16 in	50 : 5000K *

* Custom option. Consult factory for more information
Example : S902-12/40

See page 4 for all compatible accessories.



www.jescolighting.com
support@jescolighting.com
Tech Support: 855.592.0029

15 Harbor Park Drive
Port Washington, NY 11050
Main Line: 800.527.7796
Fax Line: 855.265.5768

219 South 6th Ave
City of Industry, CA 91746
Main Line: 855.654.0110
Fax Line: 626.333.2955

Specifications subject to change without notice.

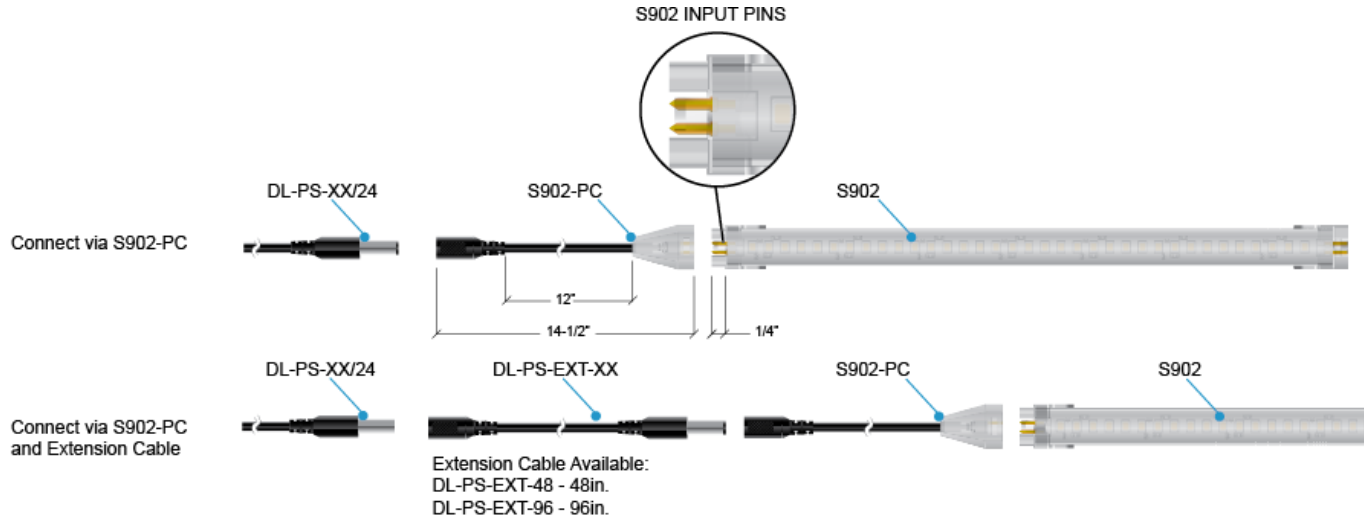


S902

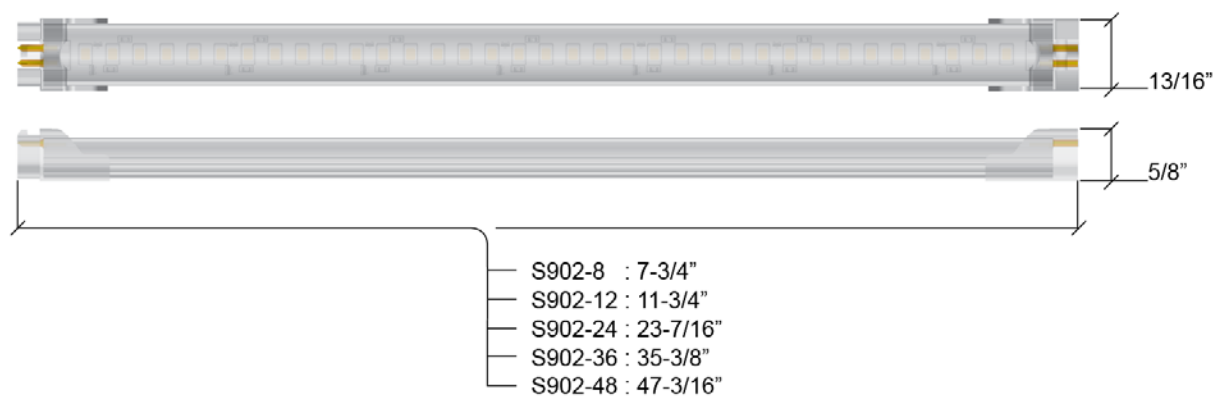
COVE / CABINET / SHOWCASE / DISPLAY
LED SLEEK PLUS UNDERCABINET

Type	
Project	
Catalog No.	

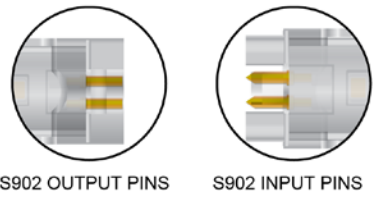
WIRING DIAGRAMS – For reference purposes only. Not for installation. Not to scale.



DIMENSIONS

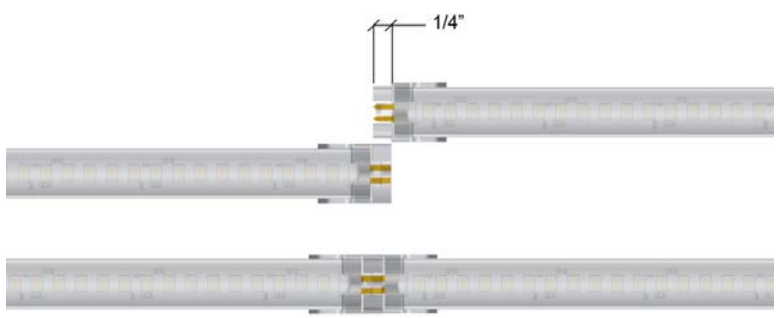


CONNECTING MULTIPLE FIXTURES



Connects multiple runs of S902 via its output pins and input pins, found at the beginning and at the end of the fixture. The molded housing around these pins are keyed to mate with each other. On the input housing, it has a built-in clip that will latch onto the output housing. A successful connection will make a "click" sound.

There is a 1/4" displacement for every connection, please take that into consideration when determining overall run lengths.



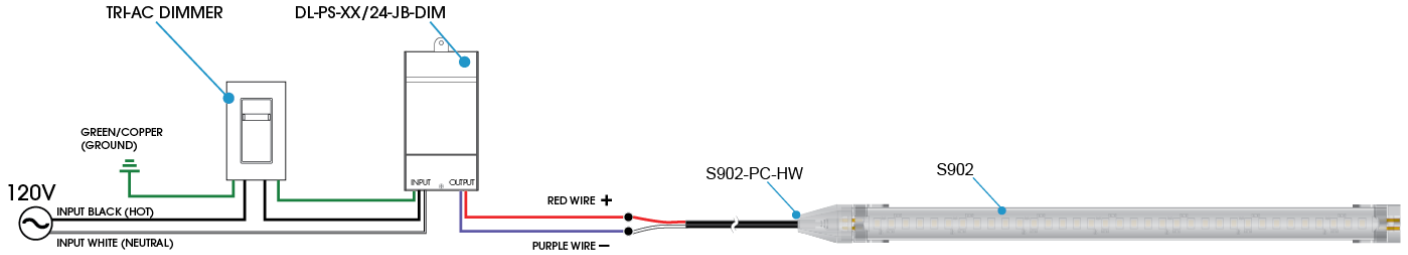


S902

COVE / CABINET / SHOWCASE / DISPLAY
LED SLEEK PLUS UNDERCABINET

Type	
Project	
Catalog No.	

CONNECTING TO TRIAC DIMMABLE DRIVER (8W min. load)



POWER SUPPLIES – See Specification Sheets for more information.

If the Max Load of a power supply exceeds the fixture's Max Run, then you may install multiple runs per given power supply.
 Wattage = Max power capacity of power supply. May need to be de-rated if operating at max temperature.
 Max Load = Fixture quantity a power supply can power.
 Max Run = Maximum length of a single run.

Hard-Wire Power Supplies Wet, Damp, or Dry Location UL Listed (with Junction Box)		S902 Max Run : 20 ft 6.3 W/ft (12" fixture)
Model Number	Wattage	Max Load (ft)
DL-PS-80/24-JB-OD	80	11
DL-PS-96/24-JB-OD	96	14

Hard-Wire Power Supplies Dry Location UL Listed (with Junction Box)		S902 Max Run : 20 ft 6.3 W/ft (12" fixture)
Model Number	Wattage	Max Load (ft)
DL-PS-20/24-JBA	20	2
DL-PS-60/24-JBA	60	8
DL-PS-96/24-JBA	96	14

Hard-Wire Dimmable Power Supplies* Dry and Wet Location (IP67) UL Listed (with Junction Box)		S902 Max Run : 20 ft 6.3 W/ft (12" fixture)
Model Number	Wattage	Max Load (ft)
DL-PS-40/24-JB-DIM*	40	5
DL-PS-60/24-JB-DIM*	60	8
DL-PS-100/24-JB-DIM*	100	14

Hard-Wire Dimmable Power Supplies* Dry and Wet Location (IP67) UL Recognized		S902 Max Run : 20 ft 6.3 W/ft (12" fixture)
Model Number	Wattage	Max Load (ft)
DL-PS-40/24-HW-DIM**	40	5
DL-PS-60/24-HW-DIM**	60	8
DL-PS-100/24-HW-DIM**	100	14

Plug & Play Power Supplies Dry Location UL Listed		S902 Max Run : 20 ft 6.3 W/ft (12" fixture)
Model Number	Wattage	Max Load (ft)
DL-PS-WP24/24	24	3
DL-PS-24/24	24	3
DL-PS-48/24	48	7
DL-PS-60/24	60	8
DL-PS-100/24	90	13
DL-PS-100/24-CL2 *	96	14

* UL listed Class 2 power supply.
 ** UL Recognized Class 2 power supply.
 ♦ Dimmable with TRIAC dimmer, requires a minimum 8W of load.



S902

COVE / CABINET / SHOWCASE / DISPLAY
LED SLEEK PLUS UNDERCABINET

Type	
Project	
Catalog No.	

PLUG & PLAY POWER SUPPLIES

See our complete line of [Plug & Play Power Supplies](#) online for more information



HARD WIRE POWER SUPPLIES

See our complete line of [Hard Wire Power Supplies](#) online for more information



DIMMING OPTIONS

DS-DV-TV-WH	Wall-Plate Dimmer
LC-DIM5A	0-10V Plug & Play Dimmer
LC-DIM5A-HW	0-10V Hardwire Dimmer
LC-DIM100-RF-HW	Hardwire Remote Step Dimmer
LC-200-RPT	Power Repeater
LC-DIM200-RF-HW	Simple Hand-held Radio Frequency Dimmer Controller
LC-RF-400H-DIM	Hand-held Radio Frequency Dimmer Controller
LC-RF-400W-DIM	Wall Mounted Radio Frequency Dimmer Controller
LC-RF-402W-DIM	Wall Mounted Dual Radio Frequency Dimmer Controller
LC-RF-400-RCV	Radio Frequency Receiver

See our complete line of remote, wall mounted and hand-held [DIMMING OPTIONS](#) online for more information.





S902

COVE / CABINET / SHOWCASE / DISPLAY
LED SLEEK PLUS UNDERCABINET

Type	
Project	
Catalog No.	

ACCESSORIES

	Part Number	Description
	S902-PC	Plug and play power connector connects to power supply
	S902-PC-HW	Hard-wire power connector connects to power supply
	S902-CC3	3" Connecting cable links S902 fixtures
	S902-CC6	6" Connecting cable links S902 fixtures
	S902-CC12	12" Connecting cable links S902 fixtures
	S902-CC24	24" Connecting cable links S902 fixtures
	S902-CC48	48" Connecting cable links S902 fixtures
	S902-CLIP-1	Mounting clips for S902 fixture. Includes (2) 0 deg, (2) 45 deg. Included with fixture.
	S902-CLIP-2	Optional mounting clips for S902 fixture. Includes (2) 0 deg, (2) 60 deg. (2) Adjustable.