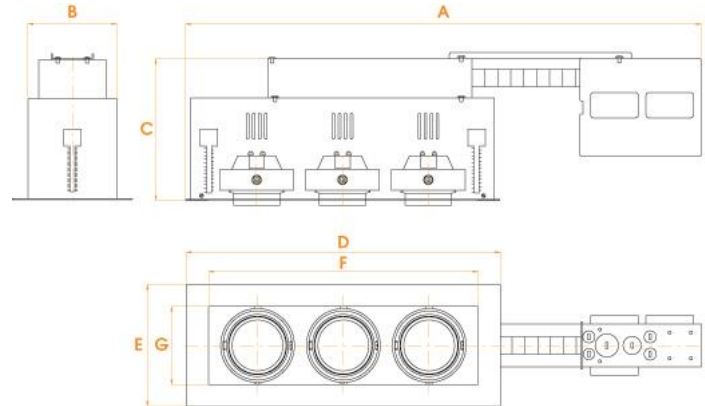




MMGR-1650-xE-xx

MINI MODULINEAR
LOW VOLTAGE REMODEL

Type	
Project	
Catalog No.	



DIMENSIONS

MODEL	HOUSING			TRIM		APERTURE		CUT-OUT	
	A	B	C	D	E	F	G		
MMGR 1650-1E	3-3/4"	3-3/8"	6-1/8"	4-7/8"	4-7/8"	3-1/8"	3-1/8"	4"	3-5/8"
MMGR 1650-2E	16-1/4"	3-3/8"	6-1/8"	8-1/8"	4-7/8"	6-3/8"	3-1/8"	7-1/2"	3-5/8"
MMGR 1650-3E	19-1/2"	3-3/8"	6-1/8"	11-7/8"	4-7/8"	9-1/8"	3-1/8"	11-1/4"	3-5/8"
MMGR 1650-4E	23-1/4"	3-3/8"	6-1/8"	15-1/2"	4-7/8"	13-3/4"	3-1/8"	14-7/8"	3-5/8"

DESCRIPTION

- Remodel recessed fixture comprised of separate housing and trim. Trim design allows use in ceilings up to 5/8" thick. No IC, must maintain 3" clearance from any insulation on all sides.
- Built in electronic transformer.

HOUSING:

3/4" overlap flanges combined with "pull-tight" torsion springs allows forgiveness in minor dry wall cutting errors.

MOUNTING:

Designed to be installed with overlap flange trim.

AIMING:

Vertical: Inner Ring 30° - Outer Ring 30°

LAMPING:

Use MR16, 12V 50W maximum per lamp. (Lamp not included).

LISTING:

UL & CUL Listed.

ORDERING INFORMATION

MODEL	LAMPING	WATTAGE	# OF LAMPS	BALLAST	FINISH
MMGR	16 – MR16	50 – 50W	-1 – 1-Linear -2 – 2-Linear -3 – 3-Linear -4 – 4-Linear	E – Electronic	SS – Silver Trim; Silver Gimbal, Black Interior SB – Silver Trim; Black Gimbal, Black Interior AW – White Trim; White Gimbal, White Interior WB – White Trim; Black Gimbal, Black Interior
MMGR	16	50		E	

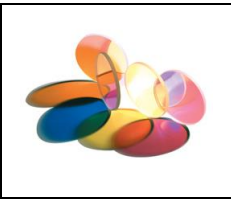


MMGR-1650-xE-xx

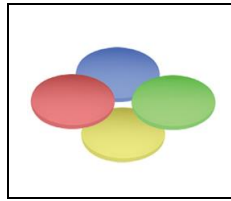
MINI MODULINEAR
LOW VOLTAGE REMODEL

Type	
Project	
Catalog No.	

ACCESSORIES



DICHOIC LENS
LENS-16-DI-RD (Red)
LENS-16-DI-BU (Blue)
LENS-16-DI-YW (Yellow)
LENS-16-DI-GN (Green)



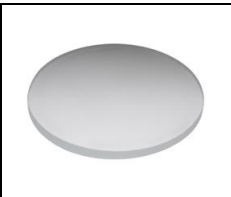
COLORED LENS
LENS-16-RD (Red)
LENS-16-BU (Blue)
LENS-16-YW (Yellow)
LENS-16-GN (Green)



PRISMATIC DIFFUSER
LENS-16-PRIS



SOFTENING DIFFUSER
LENS-16-SOFT



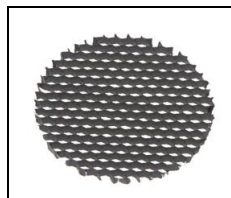
UV FILTER
LENS-16-UV



FROSTED DIFFUSER
LENS-16-FROS



LINEAR DIFFUSER
LENS-16-LINR



HONEYCOMB LOUVER
LENS-16-HCOM