

Jeremiah Lighting

28153-HI/BNK

Please read carefully and save these instructions, as you may need them at a later date.

CAUTION

Turn off the main power at the circuit breaker before installing the fixture in order to prevent possible shock.

All electrical connections must be in accordance with local and National Electrical Code (N.E.C.) standards. If you are unfamiliar with proper electrical wiring connections, obtain the services of a qualified electrician.

GENERAL

Remove all parts and hardware from the box and the mounting package and make sure that none are missing by referencing the illustrations provided.

ASSEMBLY AND INSTALLATION

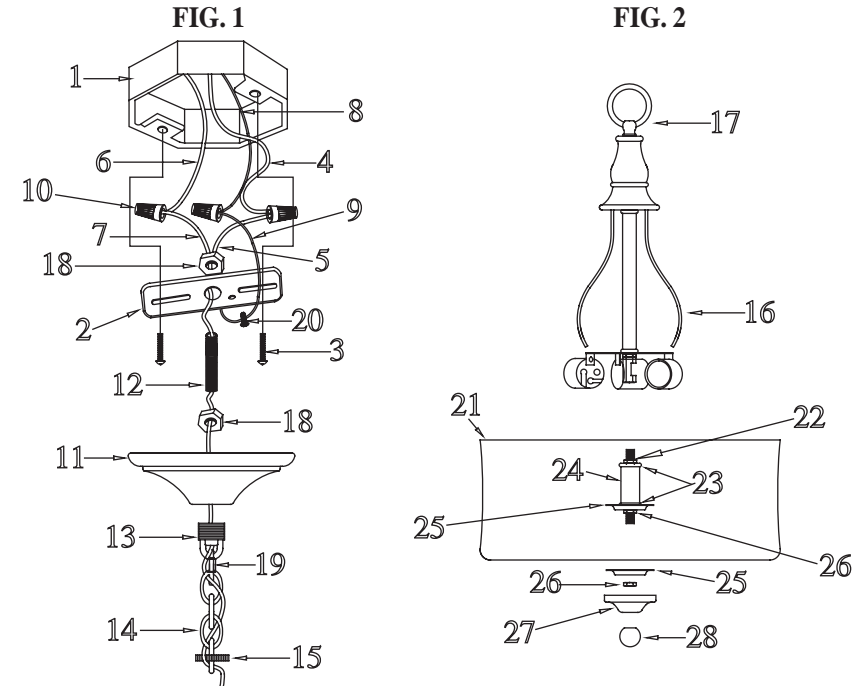
1. Pull the SUPPLY WIRES (4 & 6) and the SUPPLY GROUND WIRE (8) out from the OUTLET BOX (1) (not included) and attach the MOUNTING STRAP (2) assembly to the OUTLET BOX (1) using the slotted holes of the MOUNTING STRAP (2) and the OUTLET BOX SCREWS and WASHERS (3). [See Fig. 1]
2. Remove the THREADED RING (15) from the SCREW COLLAR LOOP (13) and set aside. Place the CANOPY (11) over the OUTLET BOX (1) and adjust the SCREW COLLAR LOOP (13) and THREADED ROD (12) until the midpoint of the outside threads on the SCREW COLLAR LOOP (13) is centered (aligned) with the surface of the CANOPY (11). Remove the CANOPY (11) and tighten both HEX NUTS (18) down on the MOUNTING STRAP (2) and the SCREW COLLAR LOOP (13). [See Fig. 1]
3. Thread the FIXTURE LOOP (17) onto the threaded rod at the top of the FIXTURE (16) until tight. [See Fig. 2]
4. Attach one OPEN CHAIN LINK (19) to each end of the CHAIN (14). Then attach one end of the CHAIN (14) to the FIXTURE LOOP (17). Slide the THREADED RING (15) and the CANOPY (11) (in that order) onto the CHAIN (14) and attach the other end of the CHAIN (14) to the SCREW COLLAR LOOP (13). Close the OPEN CHAIN LINKS (19). [See Fig. 1 & 2]
5. Unravel the FIXTURE LEAD WIRES (5 & 7) and FIXTURE GROUND WIRE (9) and thread them through every other link of the CHAIN (14) starting with the chain link attached to the FIXTURE LOOP (17). Feed the FIXTURE LEAD WIRES (5 & 7) and FIXTURE GROUND WIRE (9) through the SCREW COLLAR LOOP (13) and THREADED ROD (12). Pull the FIXTURE LEAD WIRES (5 & 7) and the FIXTURE GROUND WIRE (9) upward to remove any excess slack. [See Fig. 1]
6. Attach the power supply wires to the fixture lead wires by connecting the BLACK SUPPLY WIRE (4) to the SMOOTH FIXTURE LEAD WIRE (5) and the WHITE SUPPLY WIRE (6) to the RIBBED FIXTURE LEAD WIRE (7). Loop the SUPPLY GROUND WIRE (8) around the GROUND SCREW (20) on the MOUNTING STRAP (2). [Note: Be sure to provide an extra 3in. length of the SUPPLY GROUND WIRE (8) for connection to the FIXTURE GROUND WIRE (9).] Tighten the GROUND SCREW (20). Connect the remaining SUPPLY GROUND WIRE (8) to the FIXTURE GROUND WIRE (9). Use a WIRE CONNECTOR (10) for all wire connections. Push wiring and connections inside the OUTLET BOX (1). [See Fig. 1]
7. Slide the CANOPY (11) and the THREADED RING (15) up the CHAIN (14). Place the CANOPY (11) over the OUTLET BOX (1) and secure it by screwing the THREADED RING (15) onto the SCREW COLLAR LOOP (13). [See Fig. 1]

ASSEMBLY & INSTALLATION (Continued)

8. Attach the THREADED ROD (22) to the bottom of the FIXTURE (16) and secure with the HEX NUT (22). Install bulbs, **MAXIMUM 60W** each.
9. Slide one CAP (23), the METAL SLEEVE (24), the other CAP (23), and a GASKET (25) over the THREADED ROD (22); secure with a HEX NUT (26). Slide the GLASS SHADE (21) over the THREADED ROD (22) followed by the other GASKET (25) and secure with the other HEX NUT (26). Attach the FINIAL PLATE (27) with the FINIAL (28). [See Fig. 2]

INSTALLATION IS NOW COMPLETE

PRESTON HOLLOW



3-LIGHT CONVERTIBLE (PENDANT)

- | | |
|--|---------------------------------|
| 1. OUTLET BOX (NOT INCLUDED) | 15. THREADED RING |
| 2. MOUNTING STRAP | 16. FIXTURE |
| 3. OUTLET BOX SCREW and WASHER
(pre-attached to outlet box) | 17. FIXTURE LOOP |
| 4. BLACK SUPPLY WIRE (not included) | 18. HEX NUT (pre-attached) |
| 5. SMOOTH FIXTURE LEAD WIRE | 19. OPEN CHAIN LINK |
| 6. WHITE SUPPLY WIRE (not included) | 20. GROUND SCREW (pre-attached) |
| 7. RIBBED FIXTURE LEAD WIRE | 21. GLASS SHADE |
| 8. SUPPLY GROUND WIRE (not included) | 22. THREADED ROD and HEX NUT |
| 9. FIXTURE GROUND WIRE | 23. CAP |
| 10. WIRE CONNECTOR | 24. METAL SLEEVE |
| 11. CANOPY | 25. GASKET |
| 12. THREADED ROD (pre-attached) | 26. HEX NUT |
| 13. SCREW COLLAR LOOP (pre-attached) | 27. FINIAL PLATE |
| 14. CHAIN | 28. FINIAL |

Customer Service: 1 (800) 527-1292

Jeremiah Lighting

28153-HI/BNK

Please read carefully and save these instructions, as you may need them at a later date.

CAUTION

Turn off the main power at the circuit breaker before installing the fixture in order to prevent possible shock.

All electrical connections must be in accordance with local and National Electrical Code (N.E.C.) standards. If you are unfamiliar with proper electrical wiring connections, obtain the services of a qualified electrician.

GENERAL

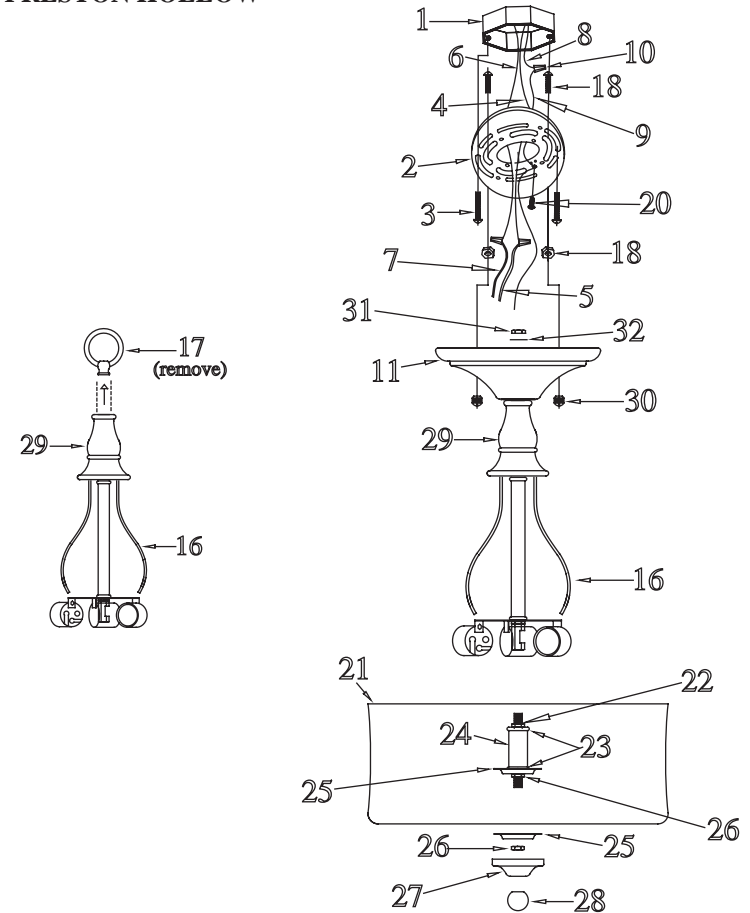
Remove all parts and hardware from the box and make sure that no parts are missing by referencing the illustrations provided.

ASSEMBLY AND INSTALLATION

1. Remove DECORATIVE NUTS (30) and HEX NUTS (18) from FIXTURE SCREWS (18). Screw the FIXTURE SCREWS (18) into the MOUNTING PLATE (2) and thread the HEX NUTS (18) onto the FIXTURE SCREWS (18), as shown. Pull the SUPPLY WIRES (4 & 6) and the SUPPLY GROUND WIRE (8) out from the OUTLET BOX (1) (not included) and attach the MOUNTING PLATE (2) assembly to the OUTLET BOX (1) using the slotted holes of the MOUNTING PLATE (2) and the OUTLET BOX SCREWS and WASHERS (3).
2. Unravel the FIXTURE WIRES (5, 7 & 9) and then loosen the FIXTURE LOOP (17) to separate it from the COVER (30). Slide the FIXTURE LOOP (17) off of the FIXTURE WIRES (5, 7 & 9). Place the CANOPY (11) over the OUTLET BOX (1) to determine the amount of adjustment necessary; the FIXTURE SCREWS (18) should come through holes in CANOPY (11) just enough so that DECORATIVE NUTS (30) fit flush when FIXTURE (16) is mounted. Remove the CANOPY (11) and tighten both 1/8" IPS HEX NUTS (18) down on the MOUNTING PLATE (2).
3. Slide the COVER (29), CANOPY (11), and LOCK WASHER (32) down the FIXTURE WIRES (5, 7 & 9). Align the CANOPY (11) and LOCK WASHER (32) over the threaded rod at the top of the FIXTURE (16); secure with the HEX NUT (31).
4. Attach the power supply wires to the fixture lead wires by connecting the BLACK SUPPLY WIRE (4) to the SMOOTH FIXTURE LEAD WIRE (5) and the WHITE SUPPLY WIRE (6) to the RIBBED FIXTURE LEAD WIRE (7). Loop the SUPPLY GROUND WIRE (8) around the GROUND SCREW (20) on the MOUNTING PLATE (2). [Note: Be sure to provide an extra 3in. length of the SUPPLY GROUND WIRE (8) for connection to the FIXTURE GROUND WIRE (9).] Connect the remaining SUPPLY GROUND WIRE (8) to the FIXTURE GROUND WIRE (9). Use a WIRE CONNECTOR (10) for all wire connections. Push wiring and connections inside the OUTLET BOX (1).
5. Place CANOPY (11) over the FIXTURE SCREWS (18) and secure with the DECORATIVE NUTS (30) provided.
6. Attach THREADED ROD (22) to the bottom of the FIXTURE (16) and secure with the HEX NUT (22). Install bulbs, **MAXIMUM 60W** each.
7. Slide one CAP (23), the METAL SLEEVE (24), the other CAP (23), and a GASKET (25) over the THREADED ROD (22); secure with a HEX NUT (26). Slide the GLASS SHADE (21) over the THREADED ROD (22) followed by the other GASKET (25) and secure with the other HEX NUT (26). Attach the FINIAL PLATE (27) with the FINIAL (28).

INSTALLATION IS NOW COMPLETE

PRESTON HOLLOW



3-LIGHT CONVERTIBLE (SEMI-FLUSH)

- | | |
|---|---------------------------------|
| 1. OUTLET BOX (NOT INCLUDED) | 18. FIXTURE SCREWS and HEX NUTS |
| 2. MOUNTING PLATE | 20. GROUND SCREW (pre-attached) |
| 3. OUTLET BOX SCREW and WASHER (pre-attached to outlet box) | 21. GLASS SHADE |
| 4. BLACK SUPPLY WIRE (not included) | 22. THREADED ROD and HEX NUT |
| 5. SMOOTH FIXTURE LEAD WIRE | 23. CAP |
| 6. WHITE SUPPLY WIRE (not included) | 24. METAL SLEEVE |
| 7. RIBBED FIXTURE LEAD WIRE | 25. GASKET |
| 8. SUPPLY GROUND WIRE (not included) | 26. HEX NUT |
| 9. FIXTURE GROUND WIRE | 27. FINIAL PLATE |
| 10. WIRE CONNECTOR | 28. FINIAL |
| 11. CANOPY | 29. COVER |
| 16. FIXTURE | 30. DECORATIVE NUT |
| 17. FIXTURE LOOP (pre-attached) | 31. HEX NUT |
| | 32. LOCK WASHER |

Customer Service: 1 (800) 527-1292