

Jeremiah

Lighting

ASSEMBLY & INSTALLATION IN STRUCTION FOR #25532SF

Please read carefully and save these instructions, as you may need them at a later date.

CAUTION

Turn off the main power at the circuit breaker before installing the fixture, in order to prevent possible shock.

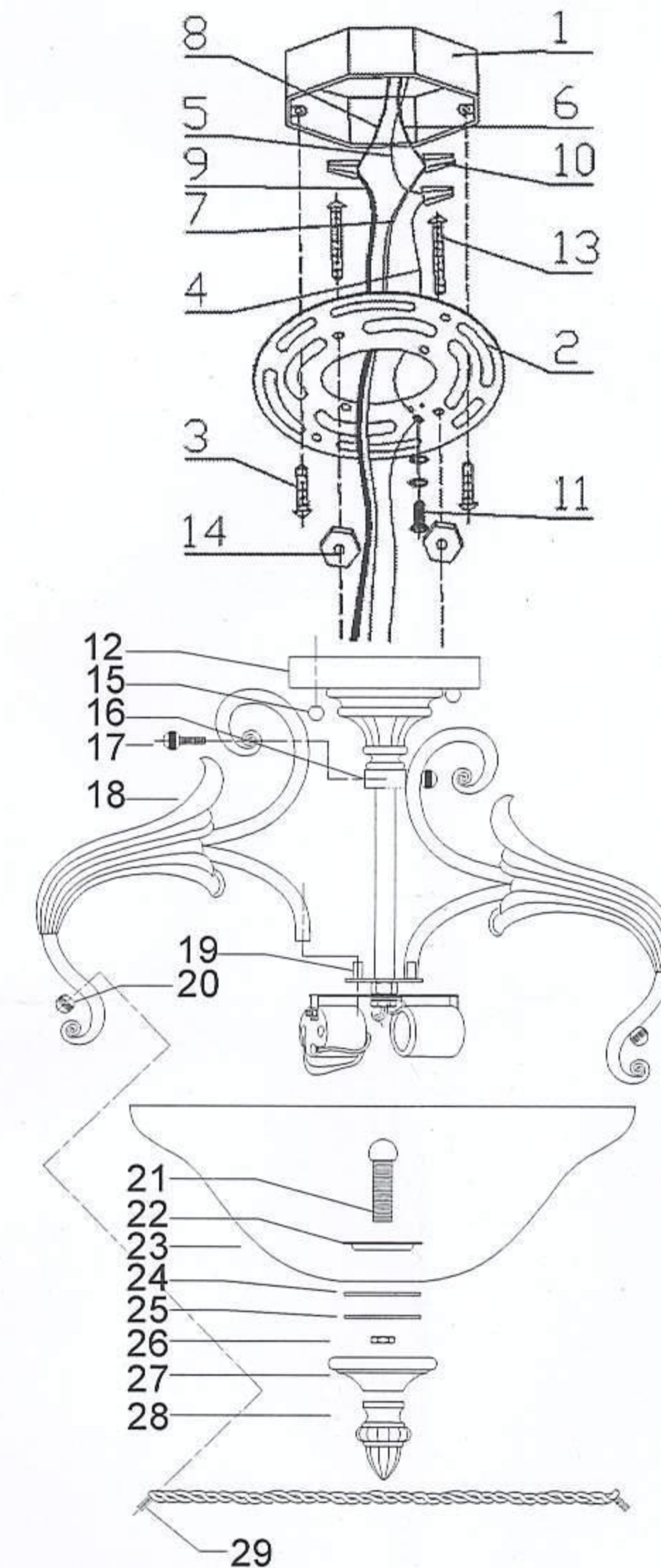
GENERAL

All electrical connections must be in accordance with local and National Electrical Code (N.E.C.) standards. If you are unfamiliar with proper electrical wiring connections obtain the services of a qualified electrician.

Remove the fixture and the mounting package from the box and make sure that no parts are missing by referencing the illustrations on the installation instructions.

ASSEMBLY AND INSTALLATION

- At the center of the BACK PLATE(2) there are eight perforated slots. Knock out the set matches your OUTLET BOX (1).
- Screw the FIXTURE MOUNTING SCREWS (13) into the BACK PLATE (2) and thread the HEX NUTS (14) onto the FIXTURE MOUNTING SCREWS (13), as shown. Secure the position of the FIXTURE MOUNTING SCREWS (13) by tightening the HEX NUTS (14) against the BACK PLATE (2).
- Carefully pass the power supply (6&8) wires and the SUPPLY GROUND WIRE (5) through the center hole of the BACK PLATE (2). Secure the BACK PLATE (2) to the OUTLET BOX (1) with MOUNTING SCREWS (3).
- Attach the BLACK SUPPLY WIRE (8) to the SMOOTH (or BLACK) FIXTURE LEAD WIRE (9) by using the WIRE CONNECTOR (10). At the same manner, attach the WHITE SUPPLY WIRE (6) to the RIBBED (or WHITE) FIXTURE LEAD WIRE (7). Loop the FIXTURE GROUND WIRE (4) around the GROUND SCREW (11) of the BACK PLATE (2). (Note: Be sure to provide an extra 3" length of the FIXTURE GROUND WIRE (4) for connection to the SUPPLY GROUND WIRE (5).) Tighten the GROUND SCREW (11). Connect the remaining FIXTURE GROUND WIRE (4) to the SUPPLY GROUND WIRE (5) using a WIRE CONNECTOR (10). Place wiring and connections inside the OUTLET BOX (1).
- Slide the 2pcs ARM(18) over the NIPPLE(19), Attach the ARM(18) to the CYLINDER(16), secure by tightening the BALL NUT(17) into the CYLINDER(16) through the ARM(18). Do not assemble all 3pcs ARMS. Attach the twist band onto the ARM(18), to have the NIPPLE(29) through the holes at the end of the ARM(18), fix with the BALL NUT(20). Insert the NUT SCREW(21) through the PLATE(22), GLASS SHADE(23), RUBBER WASHER(24), GASKET(25) in place, fix with the HEX NUT(26), slide the BOTTOM FONT(27) over the NUT SCREW(21), secure with the FINIAL(28). Slide the GLASS SHADE(30) over the twist band slantways, then attach the last ARM(18) onto the twist band and the CYLINDER(16), to have the NIPPLE(29) go through the hole at the ARM(18), secure it with the BALL NUT(20) and NUT SCREW(17), adjust the GLASS SHADE(23) to be even and tighten all the BALL NUTS and NUT SCREWS. See Fig.
- Place the COVER PLATE (12) onto the FIXTURE MOUNTING SCREWS (13), and secure it into place using the DECORATIVE NUTS(15) provided.
- Screw light bulbs into the sockets and make sure they do not exceed the maximum wattage specified on the fixture's wattage rating label, **MAXIMUM 60W.**



- | | | | |
|--|--|-------------------|-----------------|
| 1. OUTLET BOX | 9. SMOOTH (OR BLACK) FIXTURE LEAD WIRE | 17. BALL NUT | 27. BOTTOM FONT |
| 2. BACK PLATE | 10. WIRE CONNECTOR | 18. ARM | 28. FINIAL |
| 3. MOUNTING SCREW | 11. GROUND SCREW | 19. NIPPLE | 29. NIPPLE |
| 4. FIXTURE GROUND WIRE | 12. COVER PLATE | 20. BALL NUT | |
| 5. SUPPLY GROUND WIRE | 13. FIXTURE MOUNTING SCREW | 21. NUT SCREW | |
| 6. WHITE SUPPLY WIRE | 14. HEX NUT | 22. PLATE | |
| 7. RIBBED (OR WHITE) FIXTURE LEAD WIRE | 15. DECORATIVE NUT | 23. GLASS SHADE | |
| 8. BLACK SUPPLY WIRE | 16. CYLINDER | 24. RUBBER WASHER | |
| | | 25. GASKET | |
| | | 26. HEX NUT | |