

the
Jeremiah
company, inc.

ASSEMBLY & INSTALLATION INSTRUCTIONS FOR #23601

Please read carefully and save these instructions, as you may need them at a later date.

CAUTION

Turn off the main power at the circuit breaker before installing the fixture, in order to prevent possible shock.

GENERAL

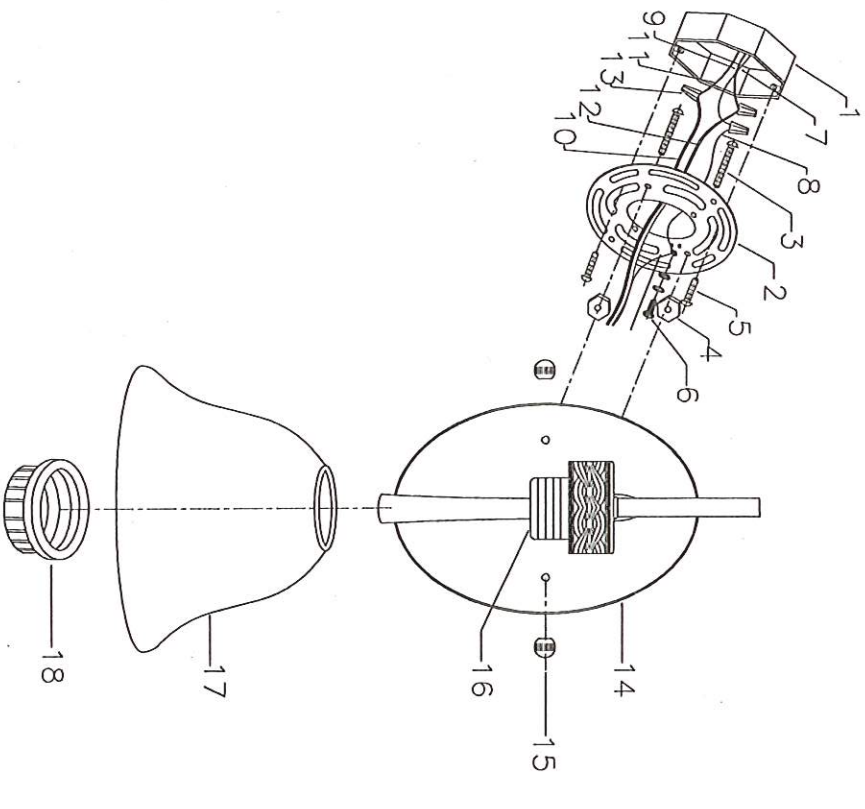
All electrical connections must be in accordance with local and National Electrical Code (N.E.C.) standards. If you are unfamiliar with proper electrical wiring connections obtain the services of a qualified electrician.

Remove the fixture and the mounting package from the box and make sure that no parts are missing by referencing the illustrations on the installation instructions.

ASSEMBLY AND INSTALLATION

1. At the center of the BACK PLATE (2) there are eight perforated slots. Knock out the set matches your OUTLET BOX (1).
2. Screw the #8-32 FIXTURE MOUNTING SCREWS (3) into the BACK PLATE (2) and thread the #8-32 HEX NUTS (4) onto the FIXTURE MOUNTING SCREWS (3), as shown. Secure the position of the FIXTURE MOUNTING SCREWS (3) by tightening the HEX NUTS (4) against the BACKPLATE (2).
3. Carefully pass the power supply (9&11) wires and the SUPPLY GROUND WIRE (7) through the center hole of the BACK PLATE (2). Secure the BACK PLATE (2) to the OUTLET BOX (1) with MOUNTING SCREWS (5).
4. Attach the BLACK SUPPLY WIRE (11) to the SMOOTH (or BLACK) FIXTURE LEAD WIRE (10) by using the WIRE CONNECTOR (13). At the same manner, attach the WHITE SUPPLY WIRE (9) to the RIBBED (or WHITE) FIXTURE LEAD WIRE (12). Loop the FIXTURE GROUND WIRE (8) around the GROUND SCREW (6) of the BACK PLATE (2). (Note: Be sure to provide an extra 3" length of the FIXTURE GROUND WIRE (8) for connection to the SUPPLY GROUND WIRE (7).) Tighten the FIXTURE GROUND WIRE (8) for connection to the SUPPLY GROUND WIRE (7). Tighten the GROUND SCREW (6). Connect the remaining FIXTURE GROUND WIRE (8) to the SUPPLY GROUND WIRE (7) using a WIRE CONNECTOR (13). Place wiring and connections inside the OUTLET BOX (1).
5. Place the COVER PLATE (14) onto the FIXTURE MOUNTING SCREWS (3), and secure it into place using the DECORATIVE NUTS(15) provided.
6. Slide the GLASS SHADE(17) over the SOCKET(16), secure with the SOCKET RING(18).
7. Screw light bulb into the socket and make sure it does not exceed the maximum wattage specified on the fixture's wattage rating label, MAXIMUM 100W.

ASSEMBLY AND INSTALLATION (Continued)
INSTALLATION IS NOW COMPLETED



1. OUTLET BOX
2. BACKPLATE
3. #8-32 FIXTURE MOUNTING SCREW
4. HEX NUT
5. MOUNTING SCREW
6. GROUND SCREW
7. SUPPLY GROUND WIRE
8. FIXTURE GROUND WIRE
9. WHITE SUPPLY WIRE
10. SMOOTH(OR BLACK) FIXTURE LEAD WIRE
11. BLACK SUPPLY WIRE
12. (RIBBED OR WHITE) FIXTURE LEAD WIRE
13. WIRE CONNECTOR
14. COVER PLATE
15. DECORATIVE NUT
16. SOCKET
17. GLASS SHADE
18. SOCKET RING