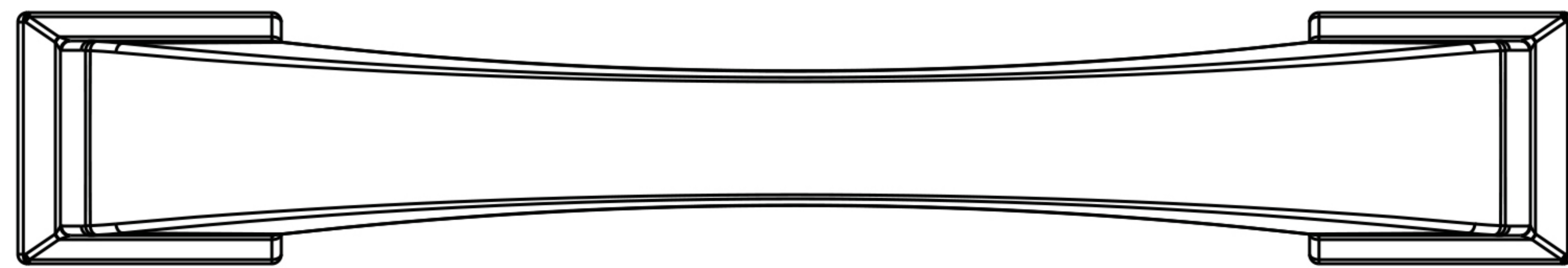
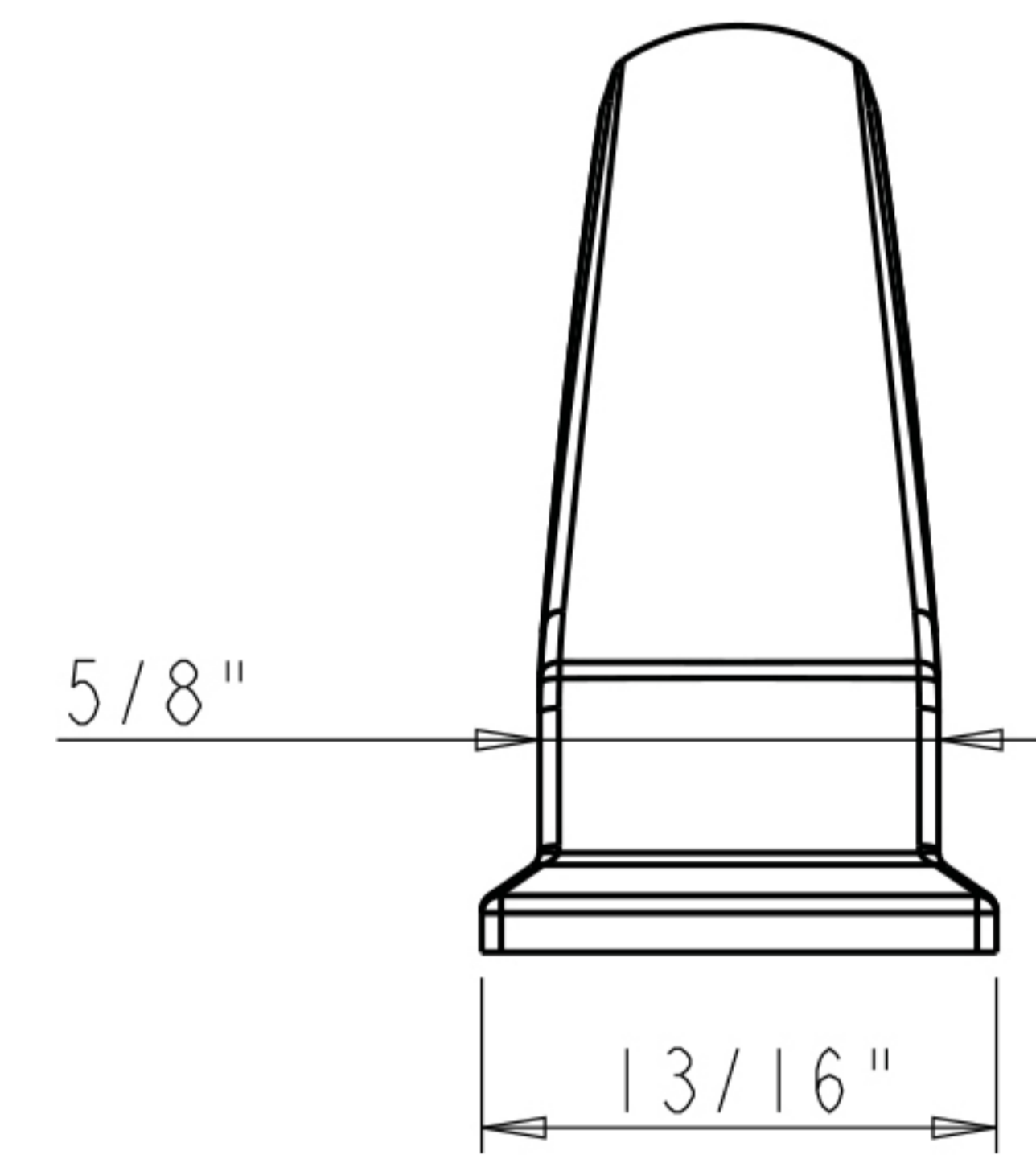


SECTION A-A



	ITEM:	944-96	MATERIAL:	ZINC
	FINISH:		WEIGHT:	106 g
<p><b>PROPRIETARY AND CONFIDENTIAL</b></p> <p>THE INFORMATION CONTAINED IN THIS DRAWING IS THE SOLE PROPERTY OF HARDWARE RESOURCES INC. ANY REPRODUCTION IN PART OR AS A WHOLE WITHOUT THE WRITTEN PERMISSION OF HARDWARE RESOURCES INC. IS PROHIBITED.</p>	TOLERANCE UNLESS OTHERWISE SPECIFIED:	UNITS:	DRAWN BY:	DATE:
	X ±0.20		<i>Hugo.cai</i>	Mar-14-18
	X.X ±0.10	SIZE:	APPROVED BY:	DATE:
	X.XX ±0.05	SHEET:	RELEASE LEVEL:	REVISION:
ANGULAR: ±0.5°	DO NOT SCALE DRAWING			