

SAFETY INFORMATION

Please read and understand this entire manual before attempting to assemble, install or operate the product.

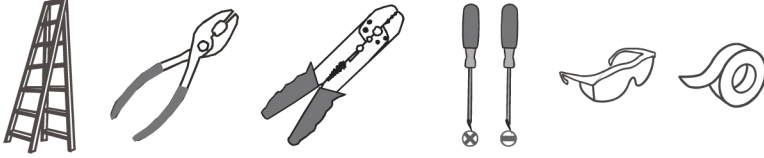
WARNING

- RISK OF ELECTRIC SHOCK - Before beginning installation, turn off electricity at the circuit breaker box or the main fuse box.
- RISK OF FIRE - Use bulbs specified by the markings and/or labels on the fixture.

CAUTION

- For your safety, read instructions completely before beginning installation.
- If in doubt about electrical installation, consult a licensed electrician.
- Turn off electricity to fixture before replacing the bulb(s).

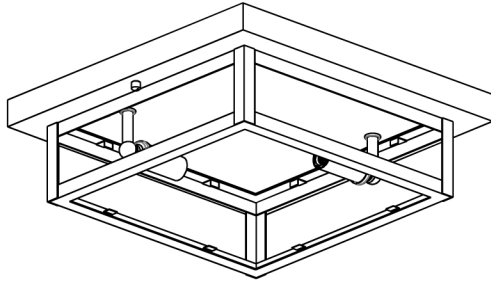
TOOLS REQUIRED



CARE AND MAINTENANCE

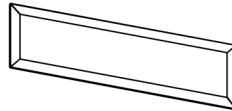
- Wipe clean using soft, dry cloth or static duster. Always avoid using harsh chemicals and abrasives to clean fixture as they may damage the finish.

PACKAGE CONTENTS

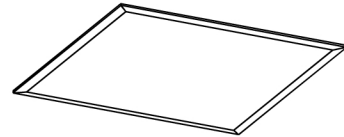


A Fixture Body
x 1

Glass Panels are varies according to purchased

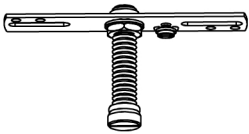


B Side Glass Panel
x 4

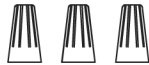


C Square Glass Panel
x 1

MOUNTING HARDWARE



AA Crossbar Assembly
x 1

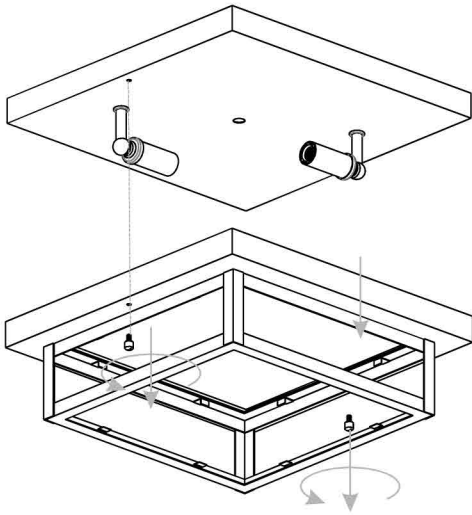


BB Wire Connector
x 3

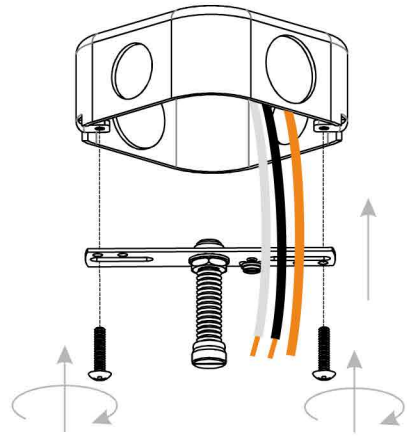


CC Outlet Box Screw
x 2

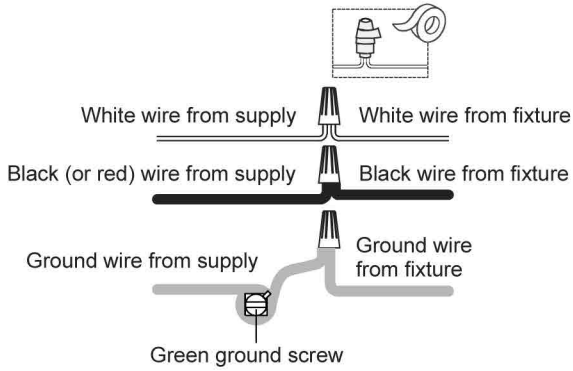
1 Remove Cage



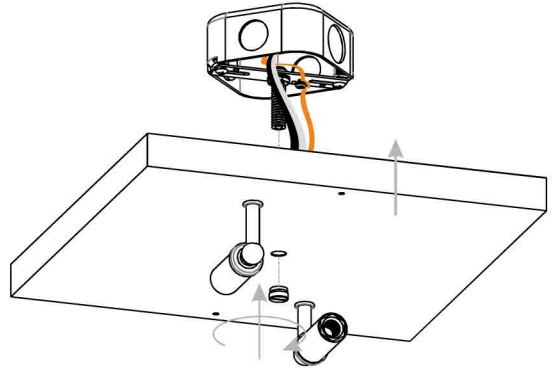
2 Install Crossbar Assembly



3 Wiring

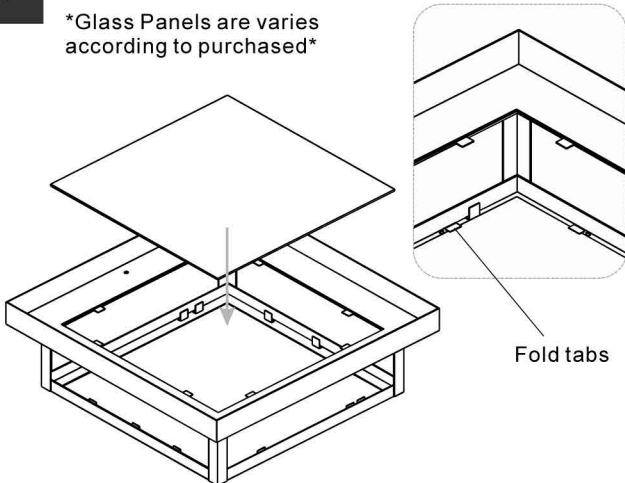


4 Install Ceiling Canopy



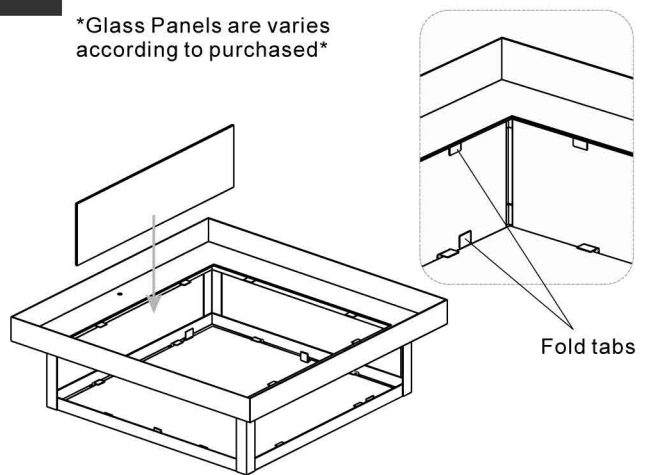
5 Install Square Glass Panel

Glass Panels are varies according to purchased



6 Install Side Glass Panels

Glass Panels are varies according to purchased



7

Install Bulbs

Install two correct bulbs referring to fixture markings and/or labels for maximum wattage.

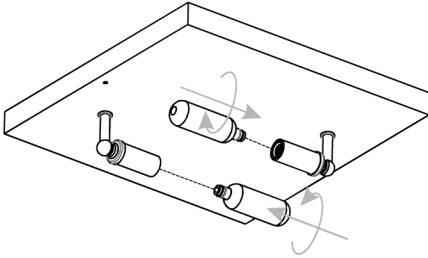
Recommended Bulb Type (not included):



BULB BASE TYPE
Candelabra (E12)

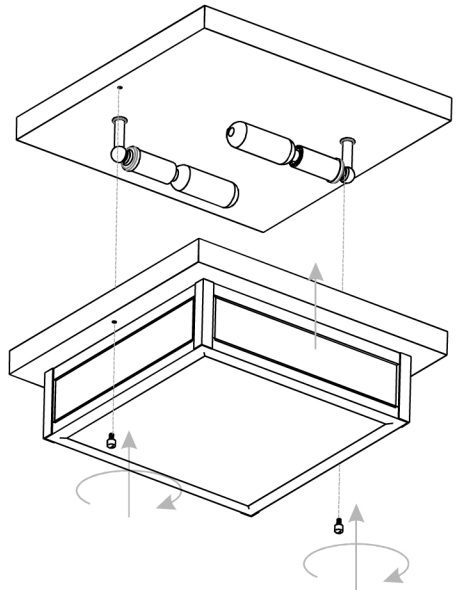


BULB SHAPE
TYPE B



8

Install Cage with Glass Panels



Your installation is now complete! Restore electricity and save this sheet for future reference.