

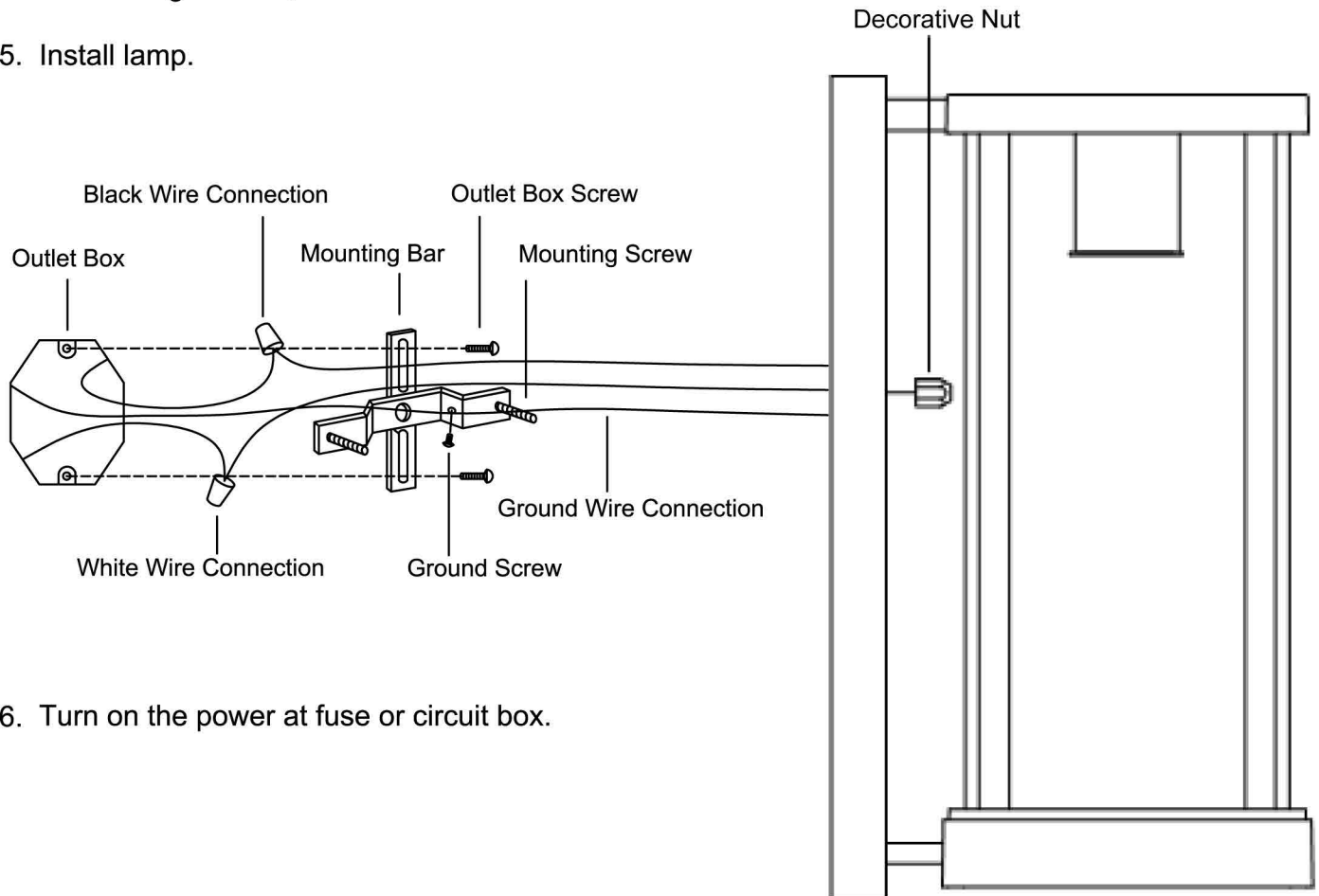
ASSEMBLY AND INSTALLATION INSTRUCTIONS

FOR YOUR SAFETY WARNING: BE SURE THE ELECTRICITY TO THE WIRES YOU ARE WORKING ON IS SHUT OFF; EITHER THE FUSE IS REMOVED OR THE CIRCUIT BREAKER IS SHUT OFF. GENERAL You don't need special tools to install this fixture. Be sure to follow the steps in the order given. Under no circumstances should a fixture be hung on house electrical wires, nor should a swag type fixture be installed on a ceiling which contains a radiant type heating system. Read instructions carefully. If you are unclear as to how to proceed, consult a qualified electrician. NOTE: Proper wiring is essential for the safe operation of this fixture.

Carefully remove the fixture from the carton, and check that all parts are included, as shown in figure. Be careful not to misplace any of the screws or parts which are needed for installing the fixture.

Assembly and Installation Step:

1. Thread the 2 Mounting Screws to the Mounting Bar.
(You can adjust the length of the screws if necessary.)
2. Attach the Mounting Bar to the Outlet Box by using 2 Outlet Box Screws.
3. Make wire connections with wire nuts:
 - a. The black wire from fixture to the black wire from power source.
 - b. The white wires from fixture to the white wire from power source.
 - c. Attach the ground wire and house ground wire to the cross bar with a green ground screw.
4. Attach the Fixture to the Mounting Bar by inserting the 2 Mounting Screws, and then secure with the 2 Ball Nuts.
5. Install lamp.



6. Turn on the power at fuse or circuit box.