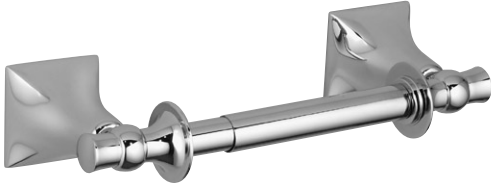


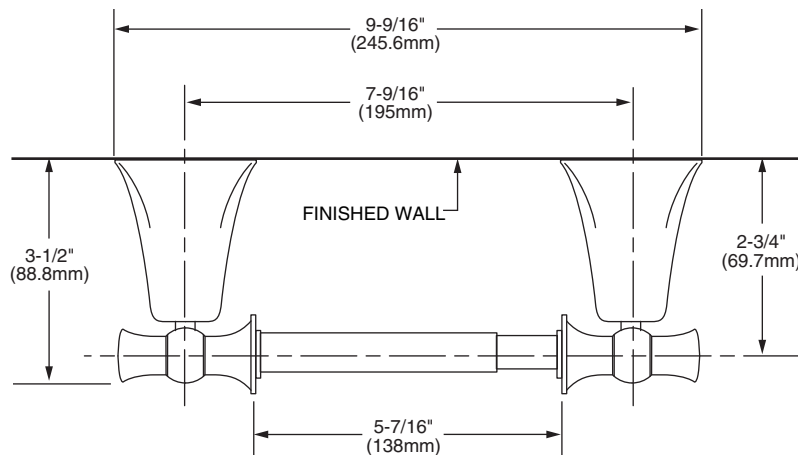
### Features:

- Solid Brass Construction
- Concealed Mounting



	Product Number
Tissue Holder	020/146
Replacement Spring Loaded Roller	599/014

Available Finishes:	Finish Code
Polished Chrome	100
Old Bronze	105
Brushed Nickel	144
Platinum Nickel	150



**IMPORTANT:** These measurements are subject to change or cancellation. No responsibility is assumed for use of superseded or voided pages.