
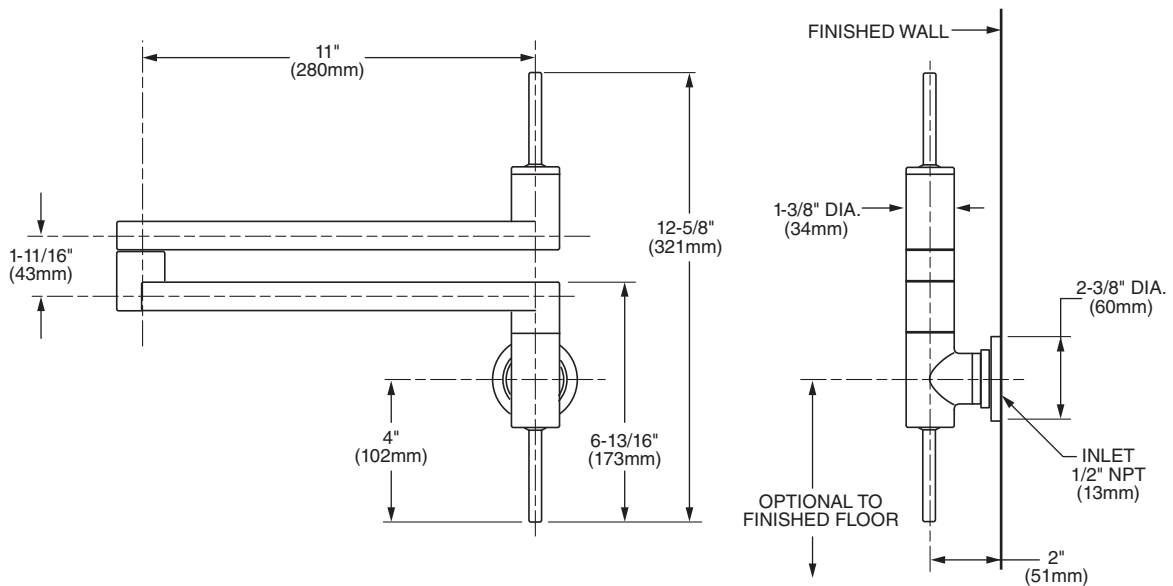




### Features:

- Modern, simple culinary design
- Ceramic disc valves
- Two-piece adjustable arm folds out of the way when not in use
- Spout extends 22"
- Designed for cold water attachment
- Single hole wall mount and single control actuator
- Lead Free - Faucet contains  $\leq 0.25\%$  total lead content by weighted volume
- 3.0 GPM (11.4L/min) flow rate at 45 psi

Description	Handle Type	Product Number	Available Finishes	Finish Code
Contemporary Pot Filler	Lever	800/901 	Polished Chrome	100
			Brushed Nickel	144
			UltraSteel	355

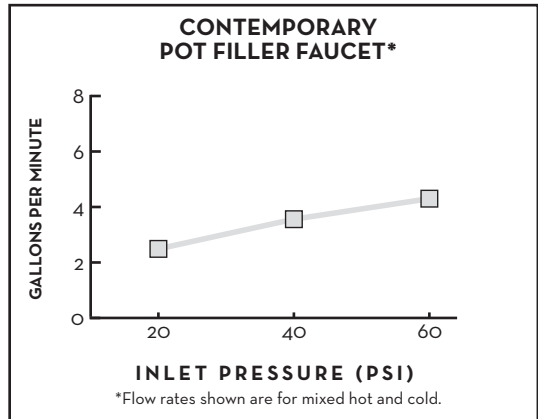


IMPORTANT: These measurements are subject to change or cancellation. No responsibility is assumed for use of superseded or voided pages.

## CODES & STANDARDS

These products meet and exceed the following codes and standards:

- **ASME A112.18.1**
- **CSA B125.1**
- **NSF 61/Section 9**
- **Certified Compliant with 0.25% Weighted Average Lead Content Regulations**



Meets the American Disabilities Act Guidelines and **ANSI A117.1** Requirements for the physically challenged.

