



Features:

- Cast brass spout and side valves
- Ceramic disc valve cartridge
- Flexible Hose Connections for 6"-12" installations
- Available in 4 handle options
- Includes 1 1/4" drain assembly
- Lead Free - Faucet contains $\leq 0.25\%$ total lead content by weighted volume
- Maximum Flow Rate: 1.5 GPM (5.7L/min)

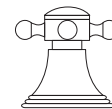
Pictured: 853/238 Widespread Faucet with Cross Levers

	Handle Type	Product Number	
Widespread Faucet	Cross	853/238	
Widespread Faucet	Straight Lever	853/248	
Widespread Faucet	Curved Lever	853/258	
Widespread Faucet	Crystal Lever	853/278	

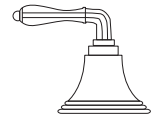
Available Finishes:	Finish Code
Polished Chrome	100
Old Bronze	105
Brushed Nickel	144
Platinum Nickel	150
Diamond (PVD)	167
Antique Nickel	444

ROUGH-IN DIAGRAM SHOWN ON REVERSE SIDE

Handle Options:



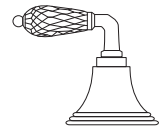
Cross Handle



Straight Lever



Curved Lever



Crystal Lever

CODES & STANDARDS

These products meet and exceed the following codes and standards:

ASME A112.18.1

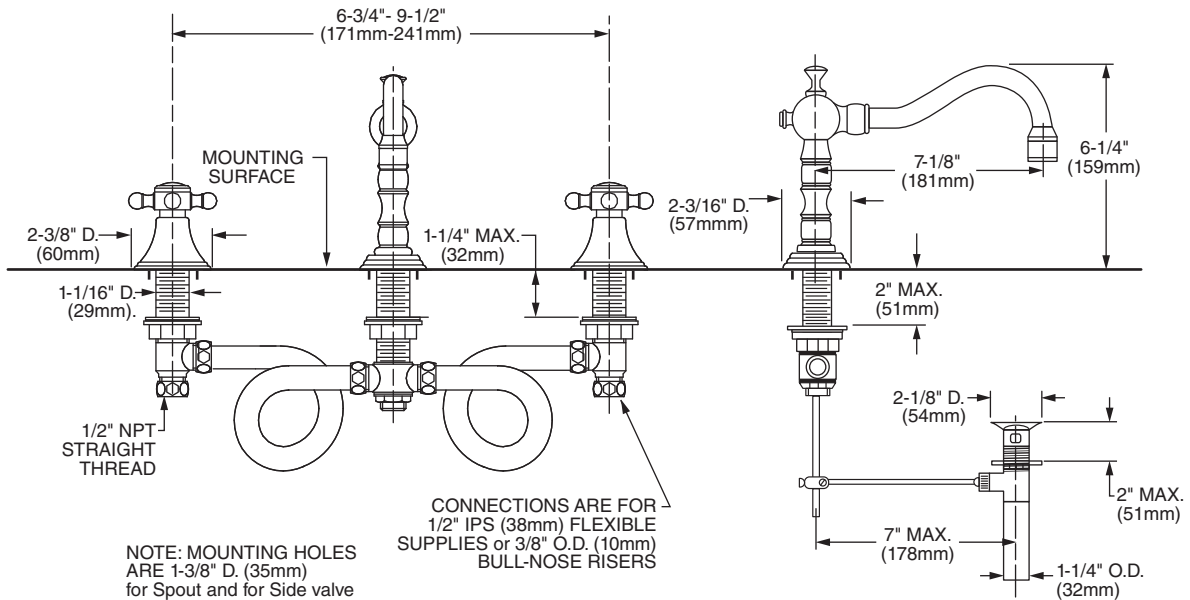
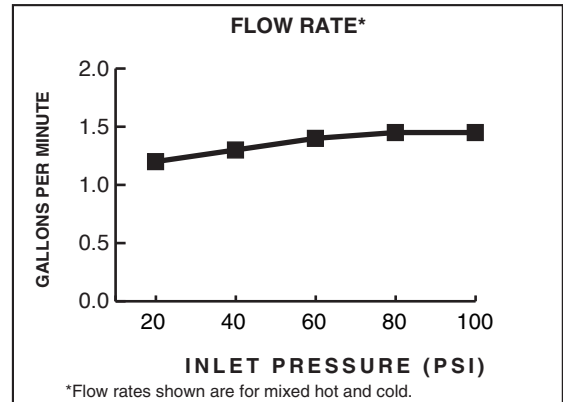
CSA B125

NSF 61/Section 9 & Annex G

EPA WaterSense® High Efficiency Lavatory Faucet Specification



Meets the American Disabilities Act Guidelines and **ANSI A117.1** Requirements for the physically challenged.



IMPORTANT: These measurements are subject to change or cancellation. No responsibility is assumed for use of superseded or voided pages.