



Features:

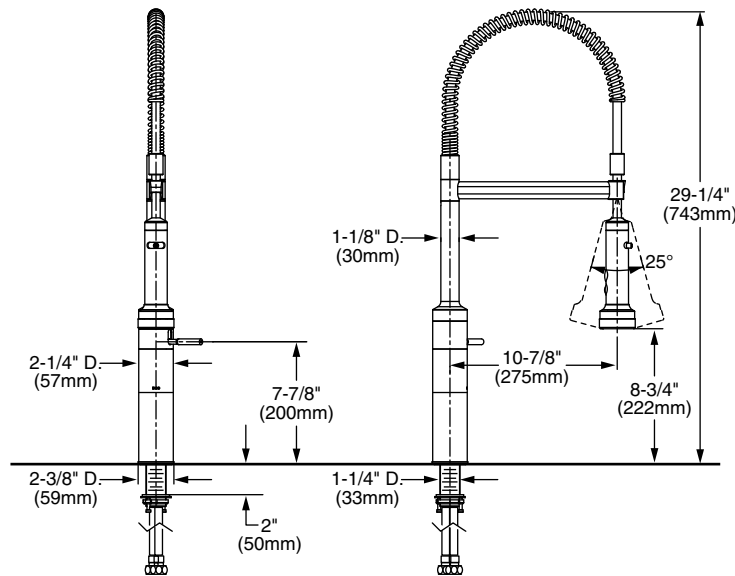
- Ceramic disc valve cartridge
- 10-7/8" Swing Spout
- Pull down sprayer with stainless steel hose protector coil
- Dual function spray with volume control

Maximum Flow Rate: 2.2 GPM (8.3L/min)

| | Handle Type | Product Number |
|---|-------------|----------------|
| Single Lever Semi-Professional Kitchen Faucet | Lever | 832/870 |
| 4" Cover Plate - 1-Hole | | H960006 |



| Available Finishes: | Finish Code |
|---------------------|-------------|
| Polished Chrome | 100 |
| UltraSteel (PVD) | 355 |



NOTE: Bore hole size is 1-3/8" (35mm)

IMPORTANT: These measurements are subject to change or cancellation. No responsibility is assumed for use of superseded or voided pages.

CODES & STANDARDS

These products meet and exceed the following codes and standards:

ASME A112.18.1

CSA B125

NSF 61/Section 9



Meets the American Disabilities Act Guidelines and **ANSI A117.1** Requirements for the physically challenged.

