

Features:

- Cast brass spout and side valves
- Ceramic disc valve cartridge



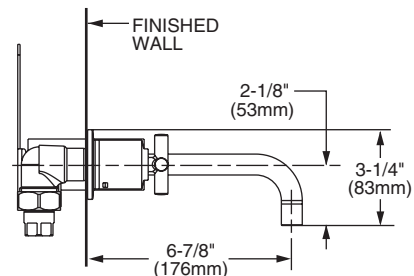
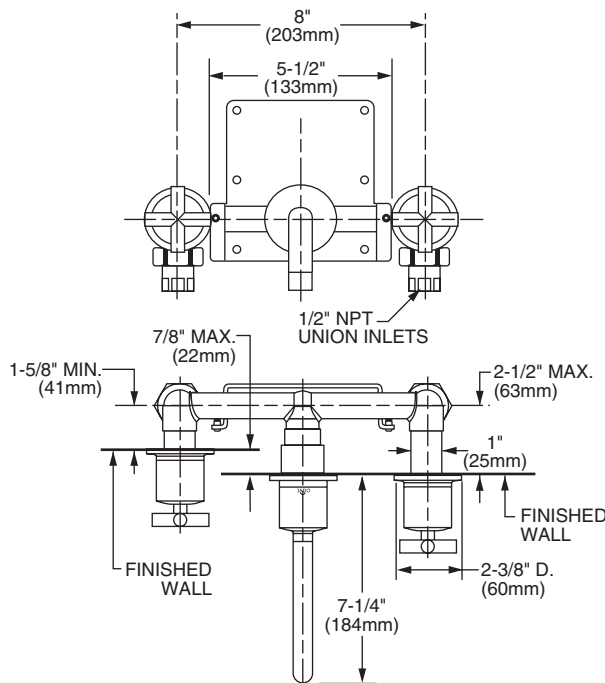
Maximum Flow Rate: 2.2 GPM (8.3L/min)

| Kit Options | Handle Type | Product Number |
|------------------------------|-------------|----------------|
| Two-Handle Wall Mount Faucet | Cross | 832/340 |

| Rough & Trim Options | Handle Type | Product Number |
|----------------------|-------------|----------------|
| Trim Only | Cross | 832/375 |
| Rough Only | | 899/999/191 |

| Extension Kits | Product Number |
|-----------------------------------|----------------|
| Wall Mount Lavatory Extension Kit | H960803.191 |

| Available Finishes: | Finish Code |
|---------------------|-------------|
| Polished Chrome | 100 |
| UltraSteel (PVD) | 355 |



NOTE: MOUNTING HOLES ARE 1-3/8" D. (35mm)

IMPORTANT: These measurements are subject to change or cancellation. No responsibility is assumed for use of superseded or voided pages.

CODES & STANDARDS

These products meet and exceed the following codes and standards:

ASME A112.18.1

CSA B125

NSF 61/Section 9

