



### Features:

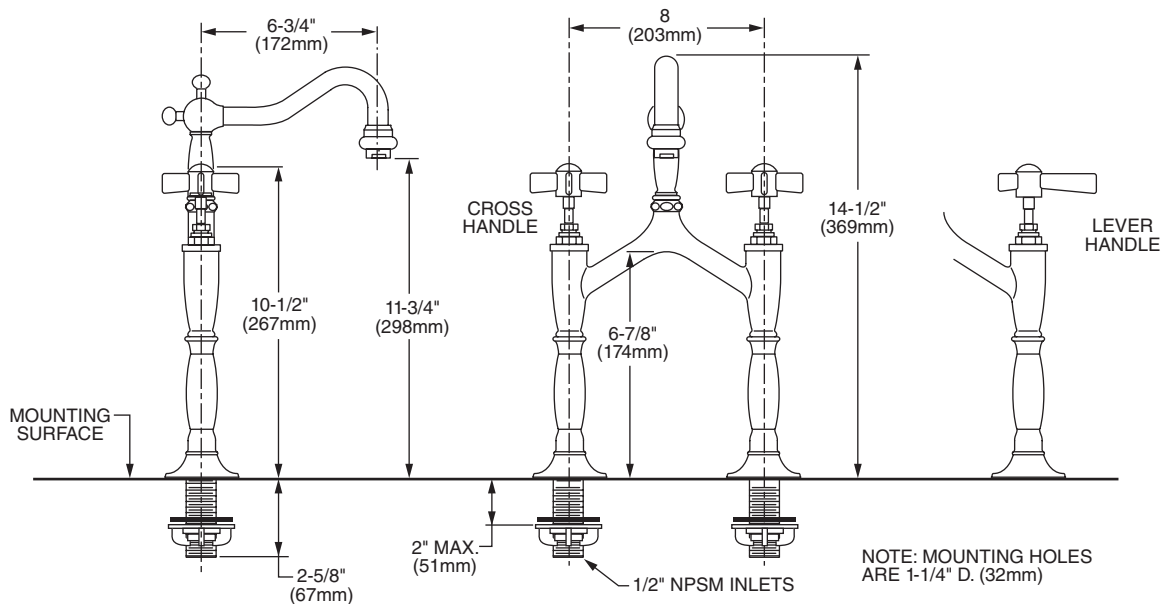
- Cast brass spout and side valves
- Ceramic disc valve cartridge
- Porcelain handle buttons
- Available with Cross or Lever Handles
- Non-swivel spout
- Designed for above counter lavatories
- Lead Free - Faucet contains ≤ 0.25% total lead content by weighted volume
- Maximum Flow Rate: 1.5 GPM (5.7L/min)

Pictured: 845/502 Bridge Vessel Faucet with Cross Handles

	Handle Type	Product Number
Bridge Vessel Faucet	Cross	845/502
Bridge Vessel Faucet	Lever	845/512



Available Finishes:	Finish Code
Polished Chrome	100
Old Bronze	105
Brushed Nickel	144
Platinum Nickel	150
Antique Nickel	444



**IMPORTANT:** These measurements are subject to change or cancellation. No responsibility is assumed for use of superseded or voided pages.

### CODES & STANDARDS

These products meet and exceed the following codes and standards:

**ASME A112.18.1**

**CSA B125**

**NSF 61/Section 9**

**Compliant with 0.25% weighted average lead content regulations**

**EPA WaterSense® High Efficiency Lavatory Faucet Specification**



Meets the American Disabilities Act Guidelines and **ANSI A117.1** Requirements for the physically challenged.

