







Features:

- Cast brass spout and valve
- Ceramic disc valve cartridge
- Adjustable hot limit safety stop
- Pressure Balance cartridge maintains constant output temperature in response to changes in relative hot and cold supply pressures
- Integral diverter
- Concealed mounting hardware
- Adjustable showerhead
- Maximum Showerhead Flow Rate: 2.5 GPM (9.5L/min)

Description	Handle Type	Product Number	Available Finishes	Finish Code
Tub & Shower Set	Lever	848/401 	Polished Chrome	100
PB Diverter Valve Set	Lever	848/141 	Brushed Nickel	144
			Platinum Nickel	150

Rough & Trim Options	Handle Type	Product Number
Tub & Shower Set Trim Only*	Lever	848/496 
PB Diverter Valve Set Trim Only**	Lever	848/546 
Showerhead Only		860/085
Tub Spout Only		820/017
Rough Only		899/261/191

* Includes Pressure Balance Diverter Valve Trim, Showerhead, Shower Arm & Tub Spout

**Pressure Balance Diverter Valve Trim Only

Extension Kits	Product Number
PB Handle Extension Kit	A3195.191
PB Diverter Extension Kit	A3196.191


ROUGH-IN DIAGRAM
SHOWN ON REVERSE SIDE

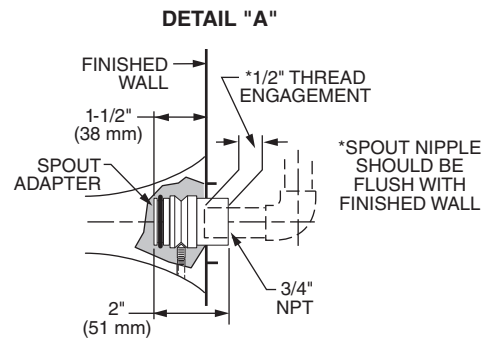
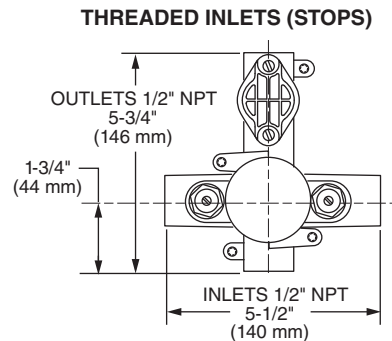
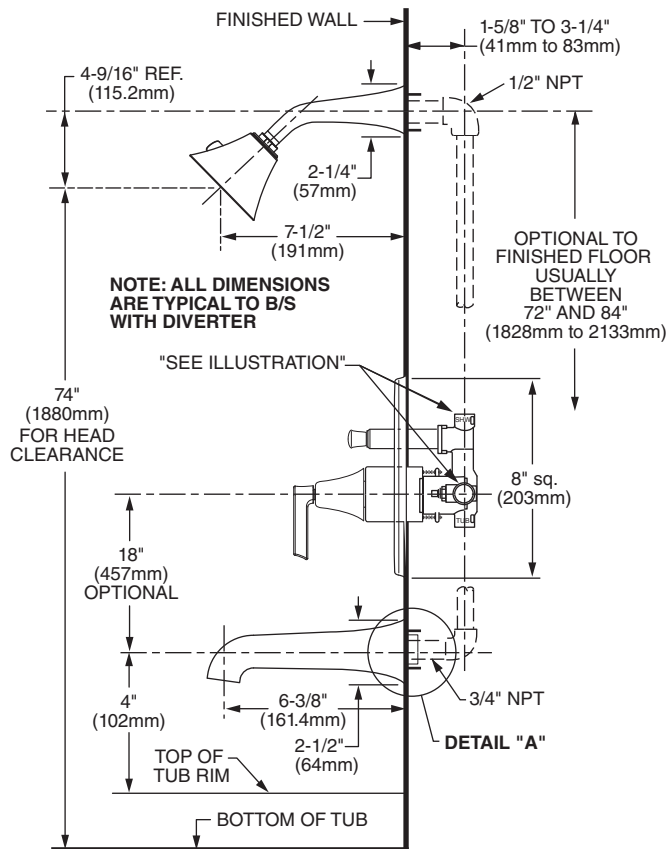
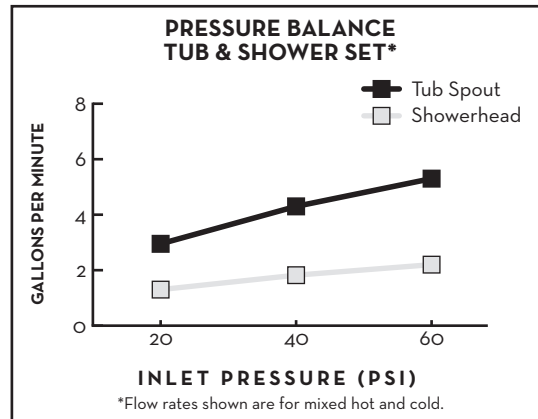


CODES & STANDARDS

These products meet and exceed the following codes and standards:

- ASME A112.18.1
- CSA B125.1
- ASSE 1016

 Meets the American Disabilities Act Guidelines and ANSI A117.1 Requirements for the physically challenged.



IMPORTANT: These measurements are subject to change or cancellation. No responsibility is assumed for use of superseded or voided pages.