



Features:

- Cast brass spout and valves
- Ceramic disc valve cartridge
- Flexible Hose Connections for 8"-12" installations
- Available with Cross or Lever Handles
- Available with or without Hand Shower
- Hand Shower features 6-1/2 ft (2m) metal hose

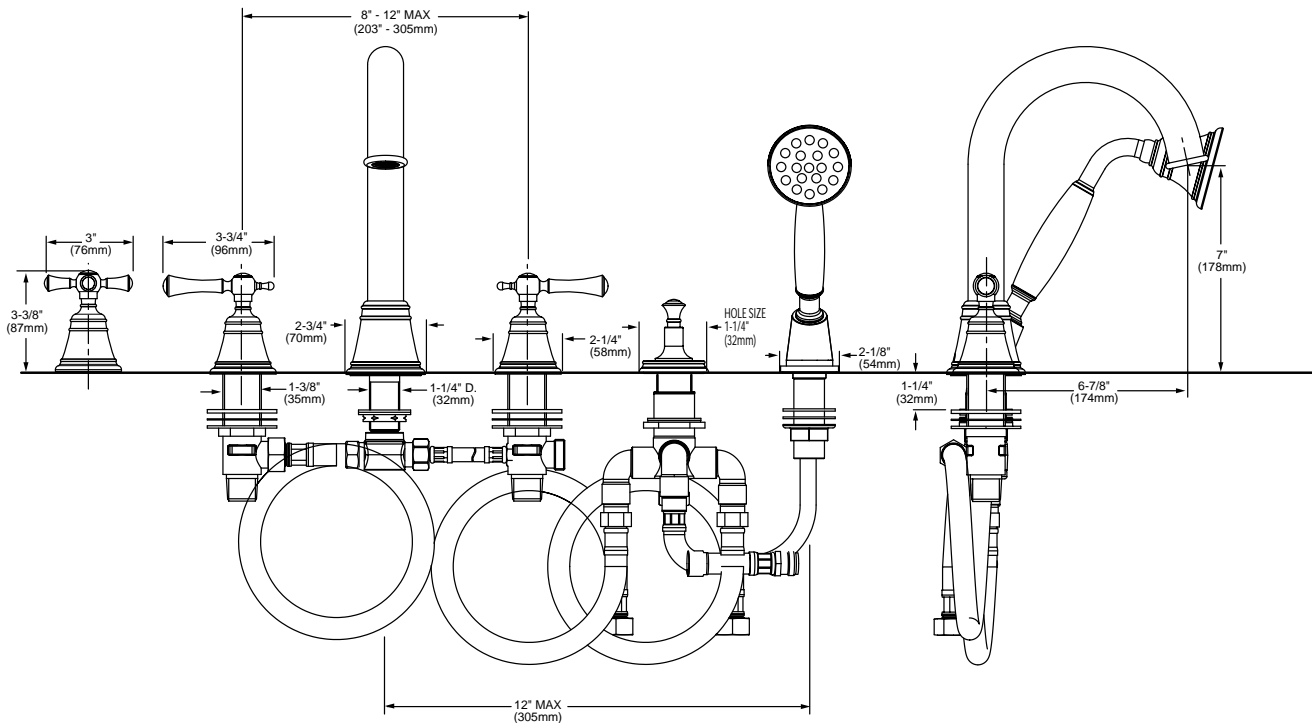
Pictured: 842/814 Roman Tub Set with Hand Shower with Cross Handles

Maximum Hand Shower Flow Rate: 2.5 GPM (9.5L/min)

	Product Number
Hatteras Roman Tub Set - Cross Handles	842/323
Hatteras Roman Tub Set - Lever Handles	842/333
Hatteras Roman Tub Set w/Hand Shower - Cross Handles	842/414
Hatteras Roman Tub Set w/Hand Shower - Lever Handles	842/814



Available Finishes:	
Polished Chrome	100
Brushed Nickel	144
Platinum Nickel	150




IMPORTANT: These Measurements are subject to change or cancellation. No responsibility is assumed for use of superseded or voided pages.

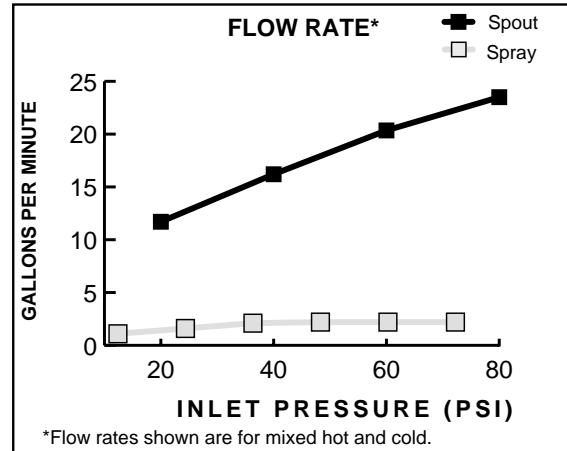
CODES & STANDARDS

These products meet and exceed the following codes and standards:

ASME A112.18.1

CSA B125

 Meets the American Disabilities Act Guidelines and **ANSI A117.1** Requirements for the physically challenged.



IMPORTANT: These Measurements are subject to change or cancellation. No responsibility is assumed for use of superseded or voided pages.